

**1 ELECTRICAL - SYSTEMS LAYOUT**  
 E-104 SCALE: 1:100

**SPECIFIC ELECTRICAL NOTES**

- 1 FIRE ALARM PANEL.
- 2 FIRE ALARM ANNUNCIATOR PANEL.
- 3 DEDICATED MTS LINE FROM TELEPHONE PANEL FOR P.O.S.
- 4 DEDICATED MTS LINE FROM TELEPHONE PANEL FOR SERVER.
- 5 MICROPHONE FOR PUBLIC ADDRESS SYSTEM. RUN CABLING AND CONDUIT THROUGH CRAWLSPACE TO SERVER LOCATION.
- 6 SERVER RACK LOCATION. SUPPLIED AND INSTALLED BY CONTRACT ADMINISTRATOR. PUBLIC ADDRESS SYSTEM TO BE LOCATED ON RACK.
- 7 VOLUME CONTROL FOR MULTIPURPOSE ROOM SPEAKERS. RUN ONE(1) - 3/4" CONDUIT C/W PULLSTRING TO CRAWLSPACE.

**GENERAL ELECTRICAL NOTES**

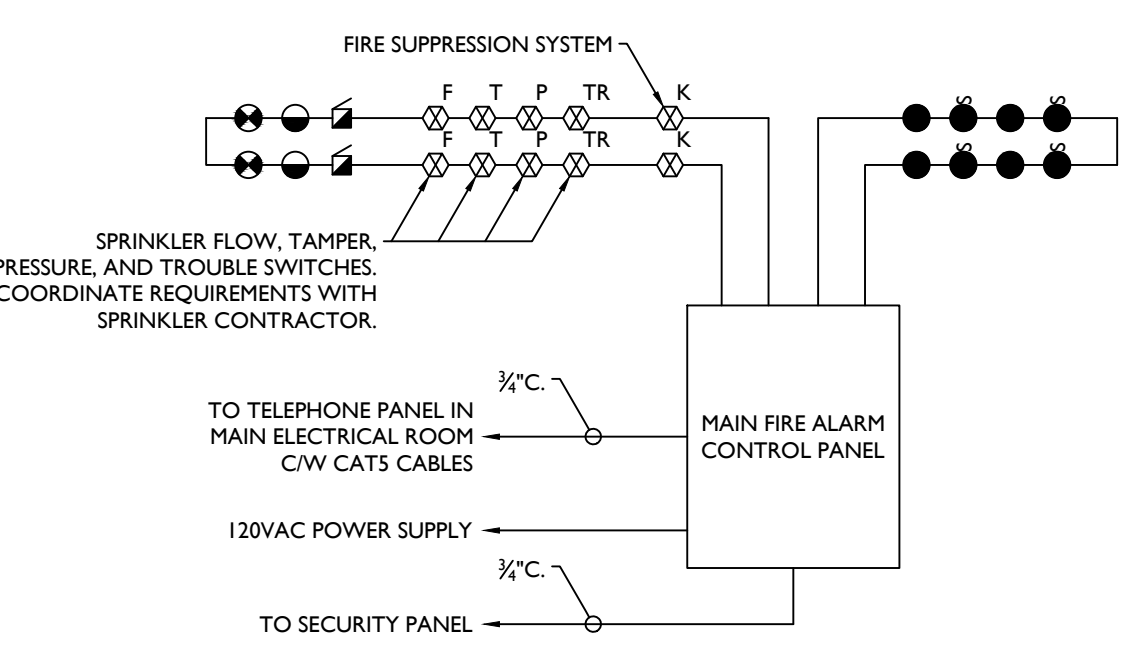
- 1. ALL OUTLETS WITHIN THE PUBLIC LIBRARY AREA ARE TO BE FED FROM THE CRAWLSPACE.

**PUBLIC ADDRESS SYSTEM**

- 1. PROVIDE A COMPLETE PUBLIC ADDRESS SYSTEM INSTALLATION AS INDICATED.
- 2. EXISTING CITY OF WINNIPEG PUBLIC ADDRESS SYSTEM TO BE TRANSFERRED TO THIS LOCATION. ELECTRICAL SUBCONTRACTOR IS RESPONSIBLE TO INSTALL DEVICES AS INDICATED. PROVIDE CABLING IN CONDUIT IN CRAWLSPACE FROM EACH DEVICE TO SERVER LOCATION. COORDINATE EXACT REQUIREMENTS WITH CITY OF WINNIPEG SECURITY SYSTEM REPRESENTATIVE.

**SECURITY SYSTEM**

- 1. PROVIDE A FULLY FUNCTIONAL SECURITY SYSTEM TO CITY OF WINNIPEG REQUIREMENTS. MANUFACTURER TO BE PEGASYS P2000 BY JOHNSON CONTROLS.
- 2. ELECTRICAL SUBCONTRACTOR TO PROVIDE CABLING AND CONDUIT WITHIN WALLS TO CRAWLSPACE AS REQUIRED.
- 3. SYSTEM TO BE P2000 PEGASYS BY JOHNSON CONTROLS.
- 4. COORDINATE ALL REQUIREMENTS WITH CONTRACT ADMINISTRATOR.

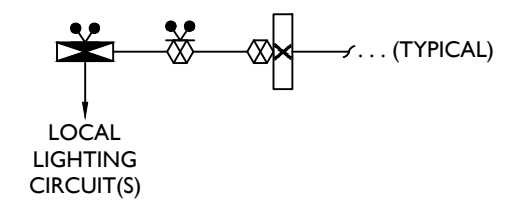


**2 FIRE ALARM RISER**  
 E-104 SCALE: N.T.S.

NOTE:  
 FIRE ALARM RISER DIAGRAM SHOWN FOR REFERENCE ONLY. REFER TO ELECTRICAL DRAWINGS FOR QUANTITIES OF DEVICES. PROVIDE ISOLATION MODULES AS REQUIRED. INSTALLATION TO MEET CANULC S524-06.

**3 EMERGENCY LIGHTING AND SIGNAGE RISER**  
 E-104 SCALE: N.T.S.

- NOTE:
- 1. INTERLOCK WITH NORMAL LIGHTING CIRCUITS TO ACTIVATE EMERGENCY LIGHTING AND SIGNAGE UPON LOSS OF NORMAL LIGHTING IN THE LOCAL AREA. PROVIDE ZONE SENSING RELAYS AS REQUIRED.
  - 2. ELECTRICAL CONTRACTOR TO WIRE AND CONNECT DC TO ALL EMERGENCY LIGHTING AND SIGNAGE COMPONENTS.
  - 3. PROVIDE MINIMUM 30 MINUTE BATTERY BACK-UP CAPACITY UNDER FULL LOAD.
  - 4. ELECTRICAL CONTRACTOR TO SIZE CONDUCTORS TO MEET MANUFACTURER'S RECOMMENDATIONS. MAXIMUM VOLTAGE DROP OF 5%.



ENGINEERS  
 GEOSCIENTISTS  
 MANITOBA  
 Certificate of Authorization  
 CGM Engineering Ltd.  
 No. 6241

No.	DATE	REVISION / ISSUANCE
1	2017.02.17	ISSUED FOR CONSTRUCTION



Consultant  
**CGM** 2-472 STRADBROOK AVENUE  
 WINNIPEG, MB R3L 0J9  
 (204) 272-3255  
 ENGINEERING LTD. JOB: 161126

**Cibinel**  
 Architecture Ltd  
 560 ACADEMY ROAD WINNIPEG, MB R3L 0E3  
 T. 204 989 8910 F. 204 989 8920



Project  
**TRANSCONA LIBRARY**  
 1500 PLESSIS ROAD, WINNIPEG, MB

Sheet Title  
**ELECTRICAL  
 SYSTEMS LAYOUT**

Project No. 1487  
 Sheet **E-104**

