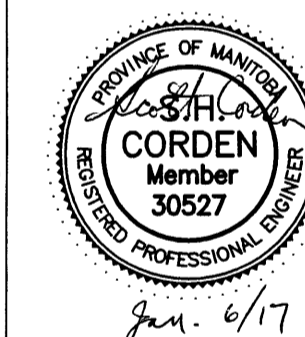


Issue / rev.

1	2017/01/10	ISSUED FOR ADDENDUM 4
0	2016/12/08	ISSUED FOR CONSTRUCTION
#	date	issue notes

professional seals



project information

SEVEN OAKS POOL

444 Adsum Drive
Winnipeg, MB
Canada

client

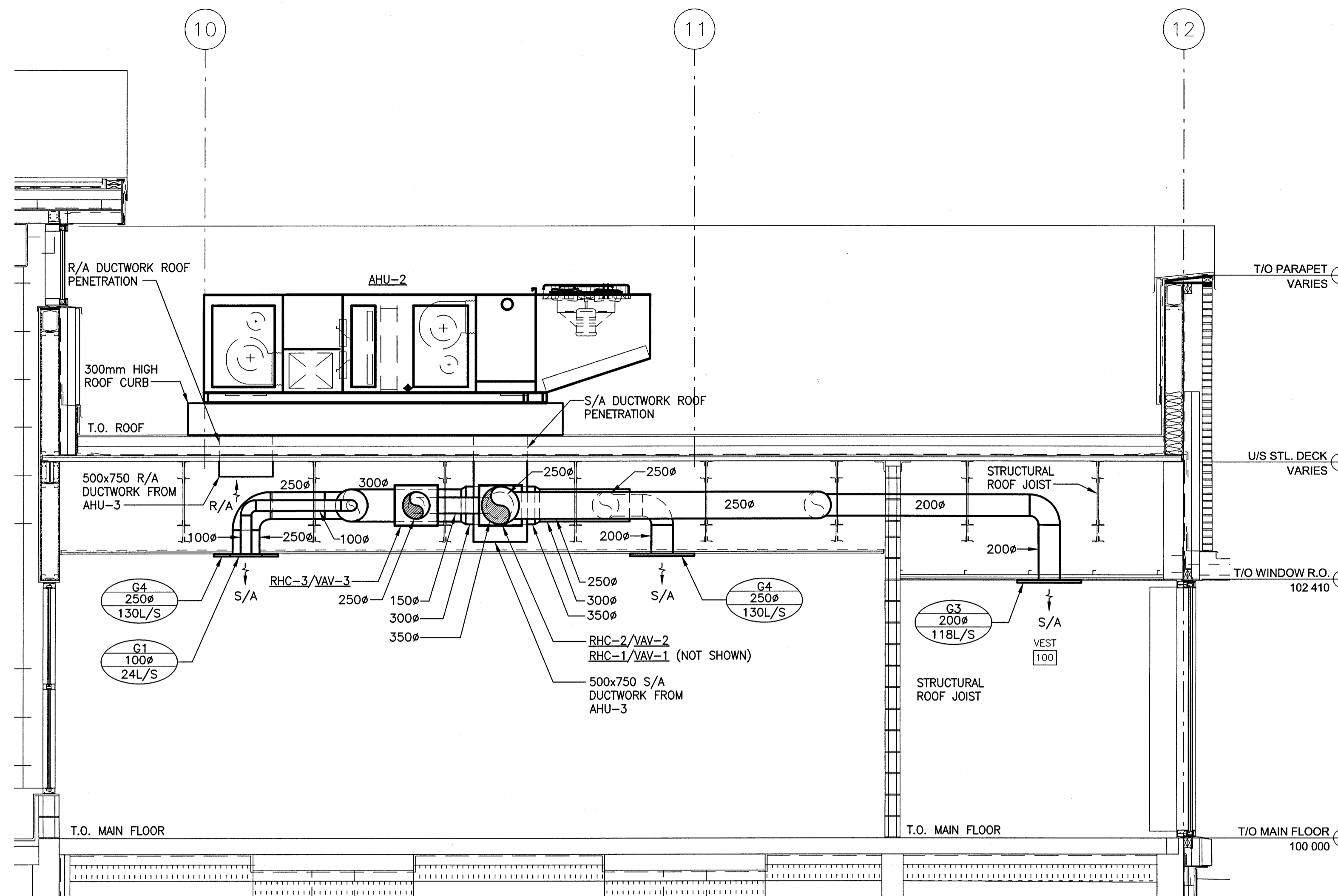
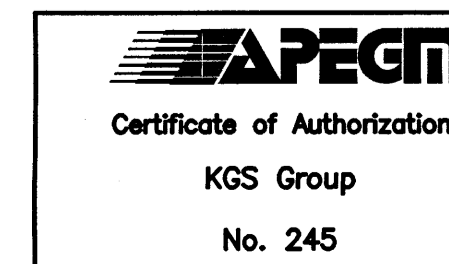
drawing information

MECHANICAL SECTIONS AND DETAILS

drawn by: RLR
approved by:

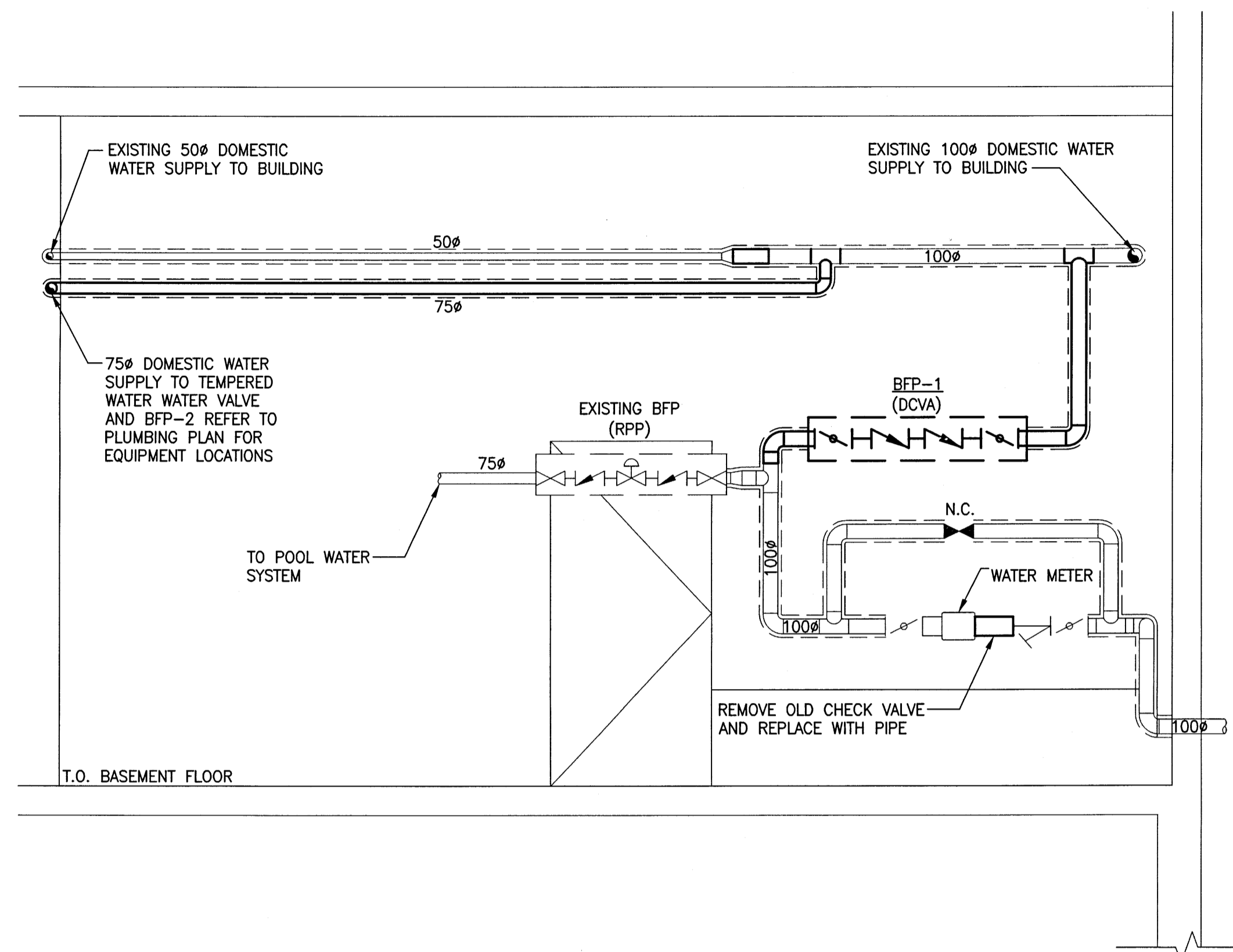
scale: AS NOTED
date issued: 2017.01.10
proj. #: 14-1736-008
rev. #: R-1

**SEVEN OAKS POOL
RENOVATION & ADDITION**
BID OPPORTUNITY NO. 1044-2016

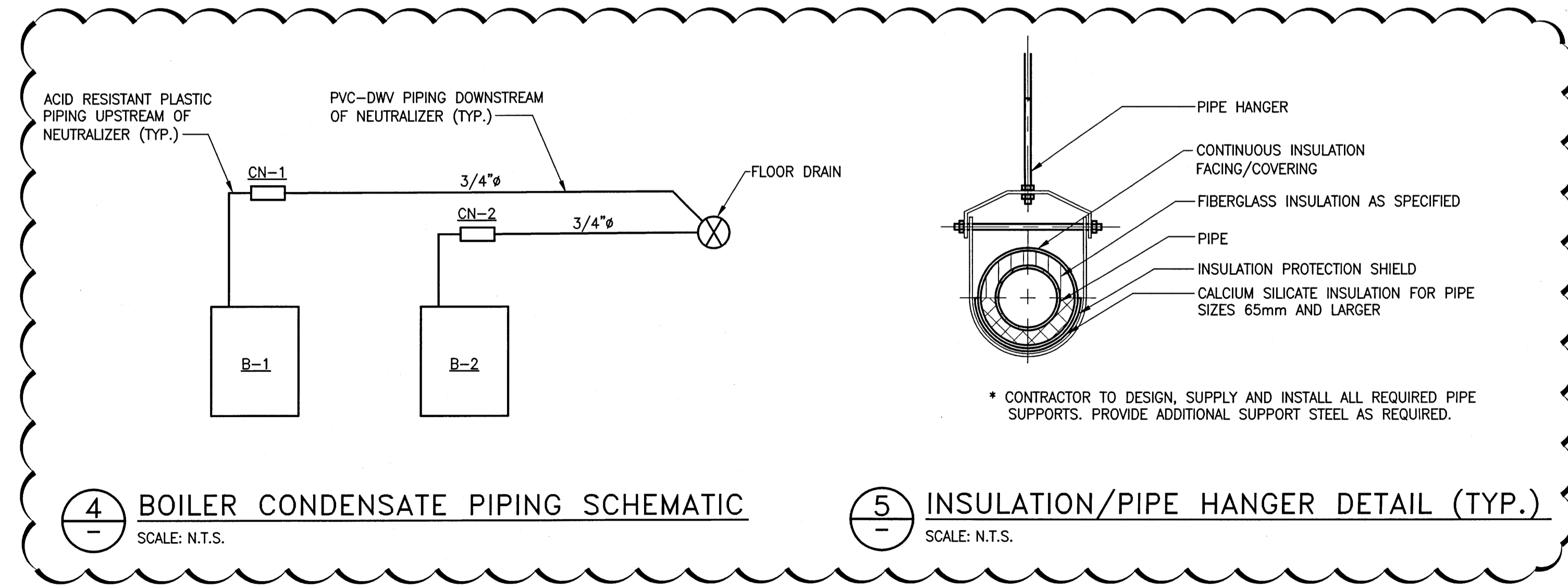


REFER TO M3-01 FOR DUCT SIZING

2 AHU-2 AND DUCTWORK DETAILS
SCALE: N.T.S.

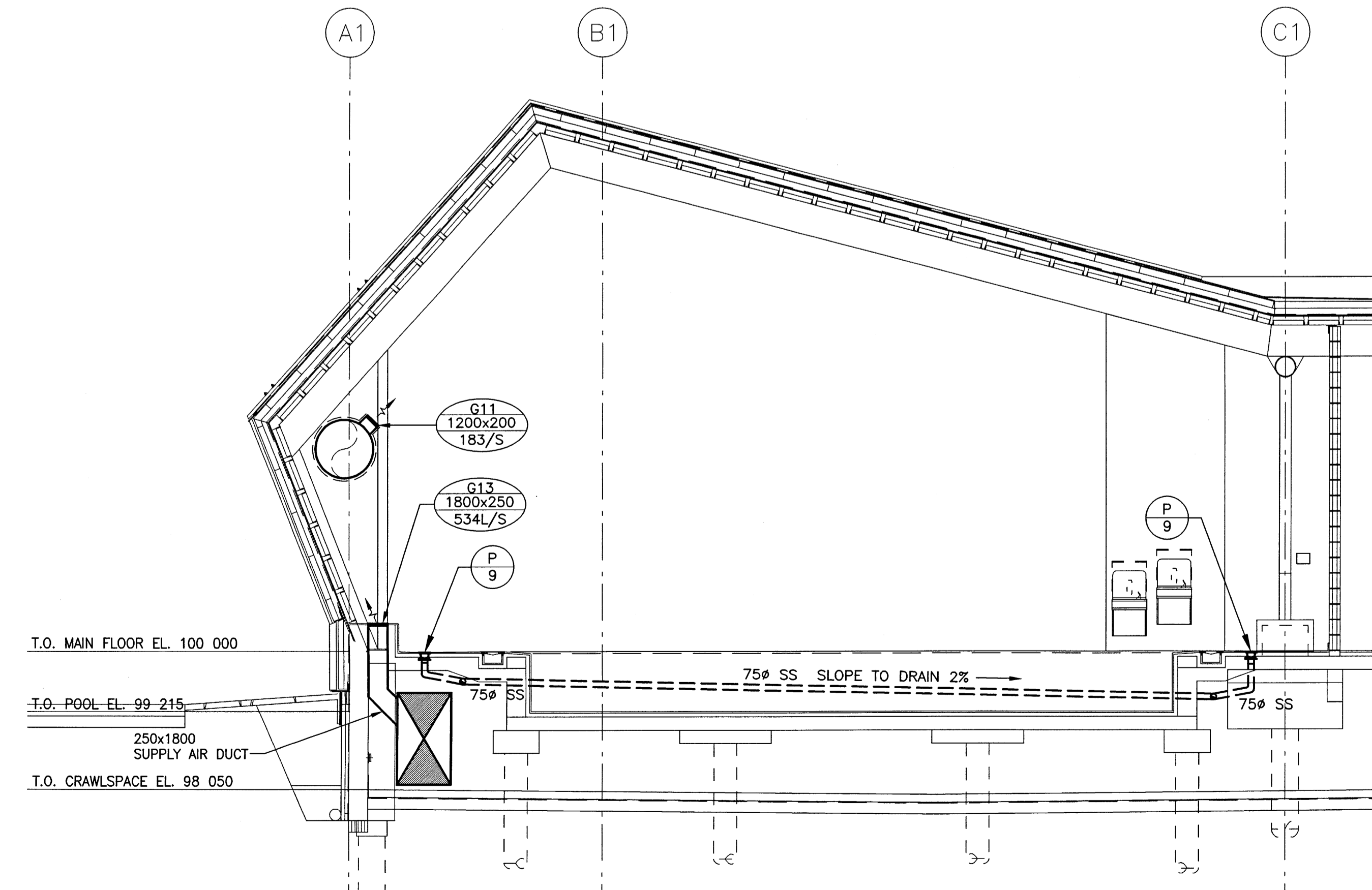


1 DOMESTIC WATER SERVICE ENTRANCE DETAIL
SCALE: N.T.S.



4 BOILER CONDENSATE PIPING SCHEMATIC
SCALE: N.T.S.

5 INSULATION/PIPE HANGER DETAIL (TYP.)
SCALE: N.T.S.



3 POOL DRAINS SANITARY PIPING DETAIL
SCALE: N.T.S.

Filename: P:\Projects\2014\14-1736-008\Mech\14-1736-008_M5-01.dwg - Tab: M5-01 Plotted By: dderoché 17/01/06 [Fri 1:16pm]