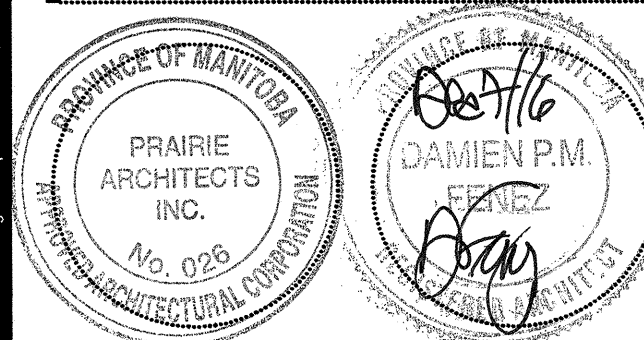


Issue / rev.

#	date	issue notes
0	2016.12.08	ISSUED FOR CONSTRUCTION

professional seals



project information

SEVEN OAKS POOL RENOVATION & ADDITION

444 ADSUM DRIVE
WINNIPEG, MB
CANADA

client

CITY OF WINNIPEG
4TH FLOOR - 185 KING ST.
WINNIPEG, MB

drawing information

PLAN DETAILS

drawn by: **JDB**

approved by: **DF**

scale: **1:10**

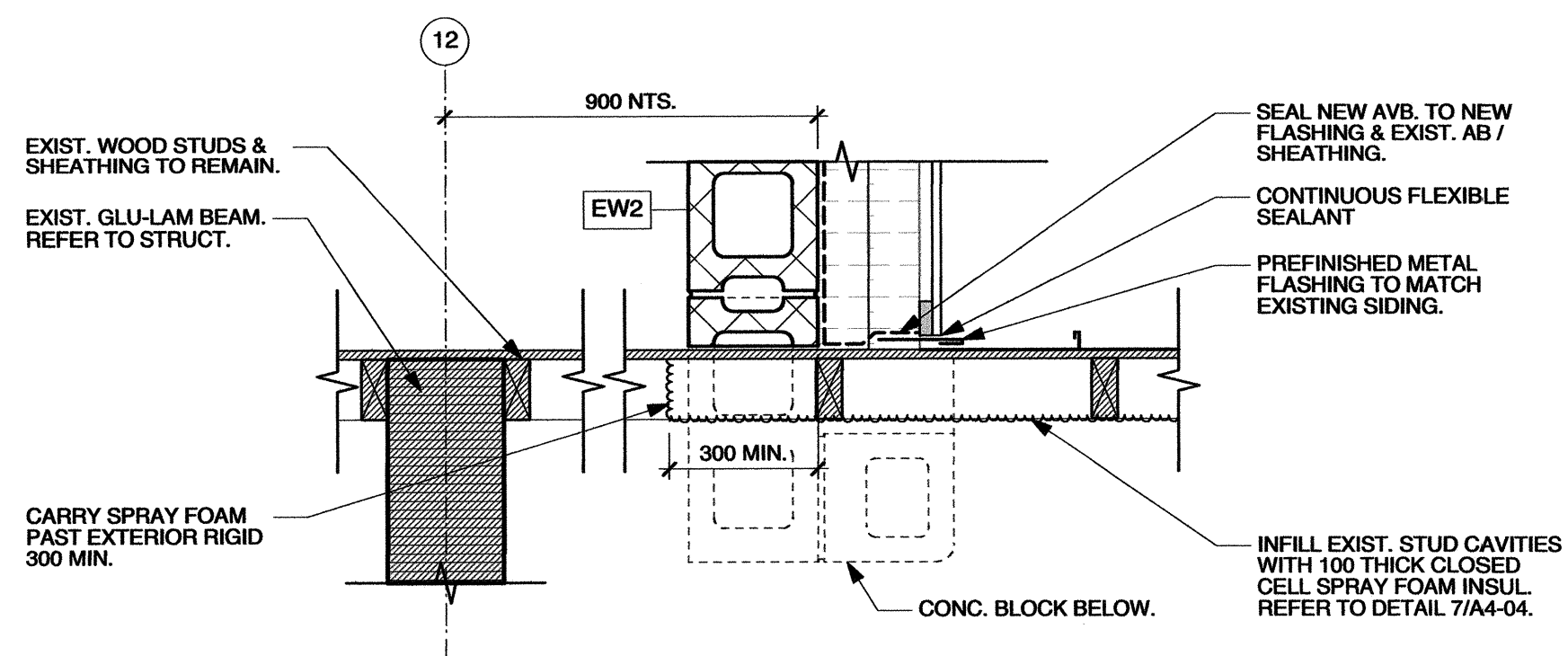
date issued: **2016.12.08**

proj. #: **2014.66**

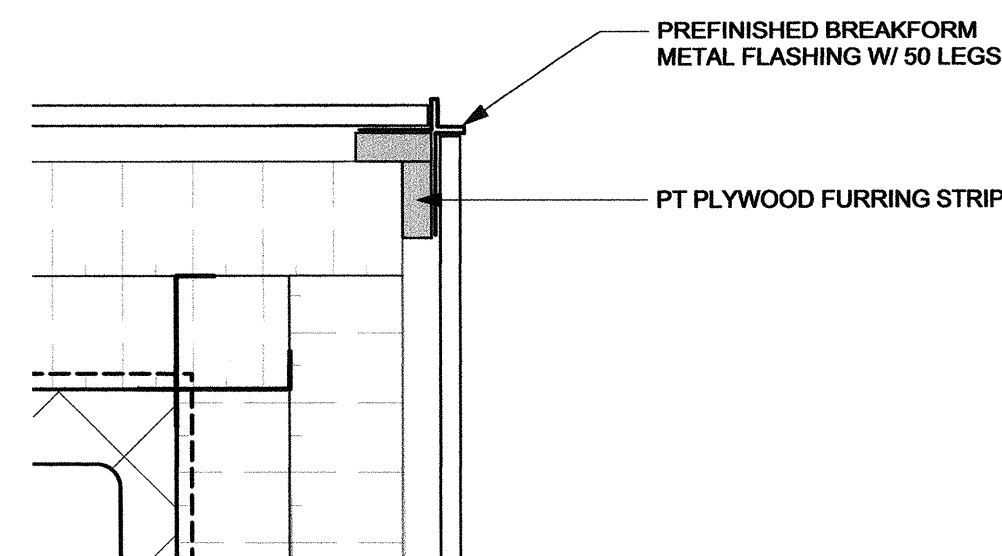
rev. #: **R-0**

SEVEN OAKS POOL RENOVATION & ADDITION
BID OPPORTUNITY NO. 1044-2016

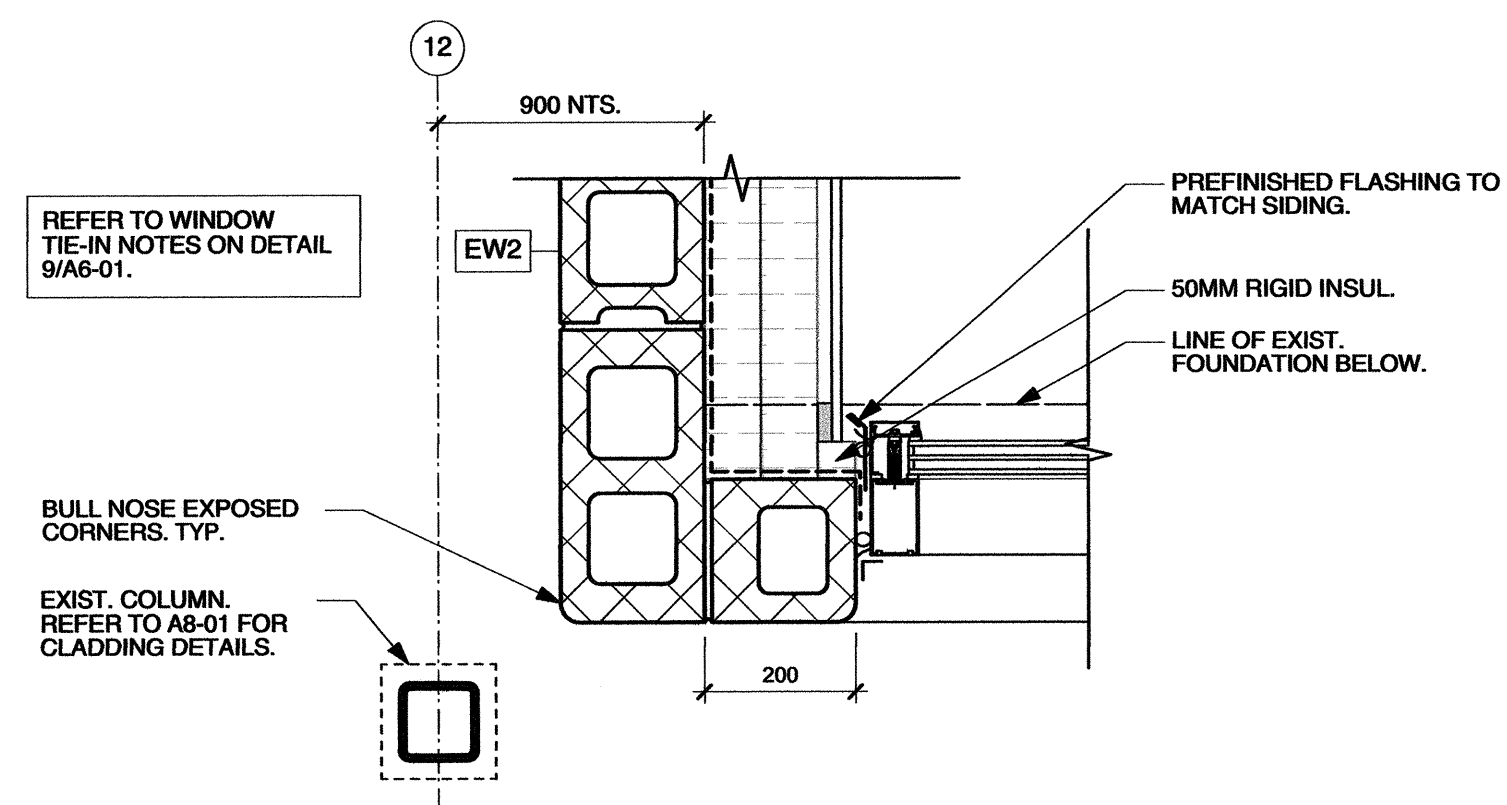
A6
02



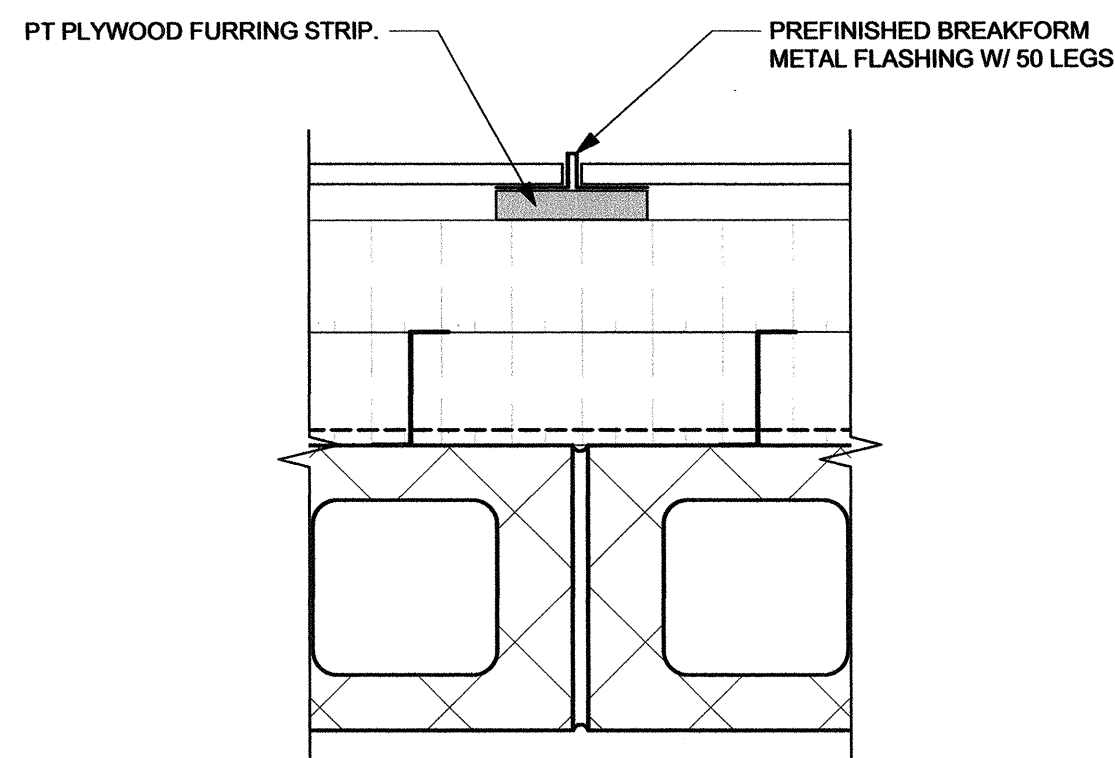
1 EW2 TIE-IN WITH EXIST VESTIBULE WALL @ ELEV. 103 000
1:10



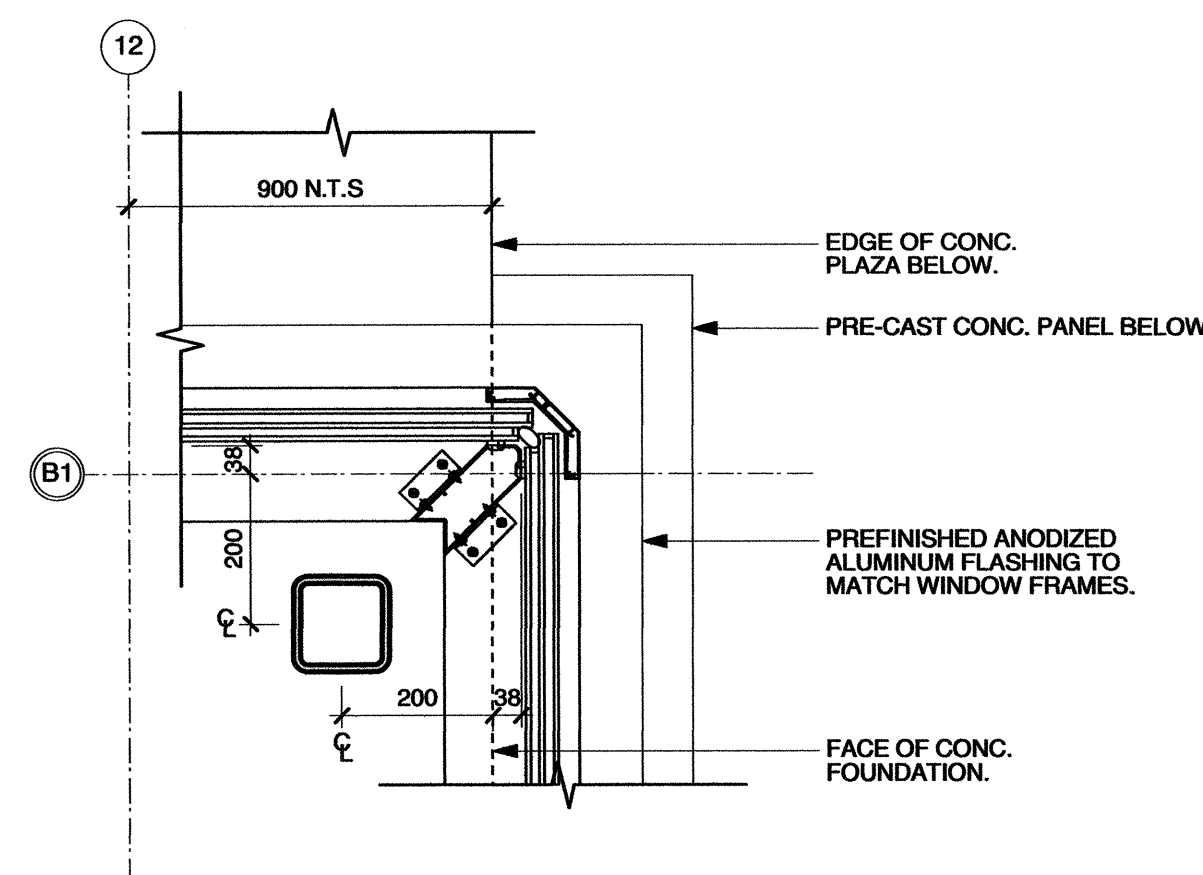
5 OUTSIDE CORNER FLASHING @ LAP SIDING
1:5



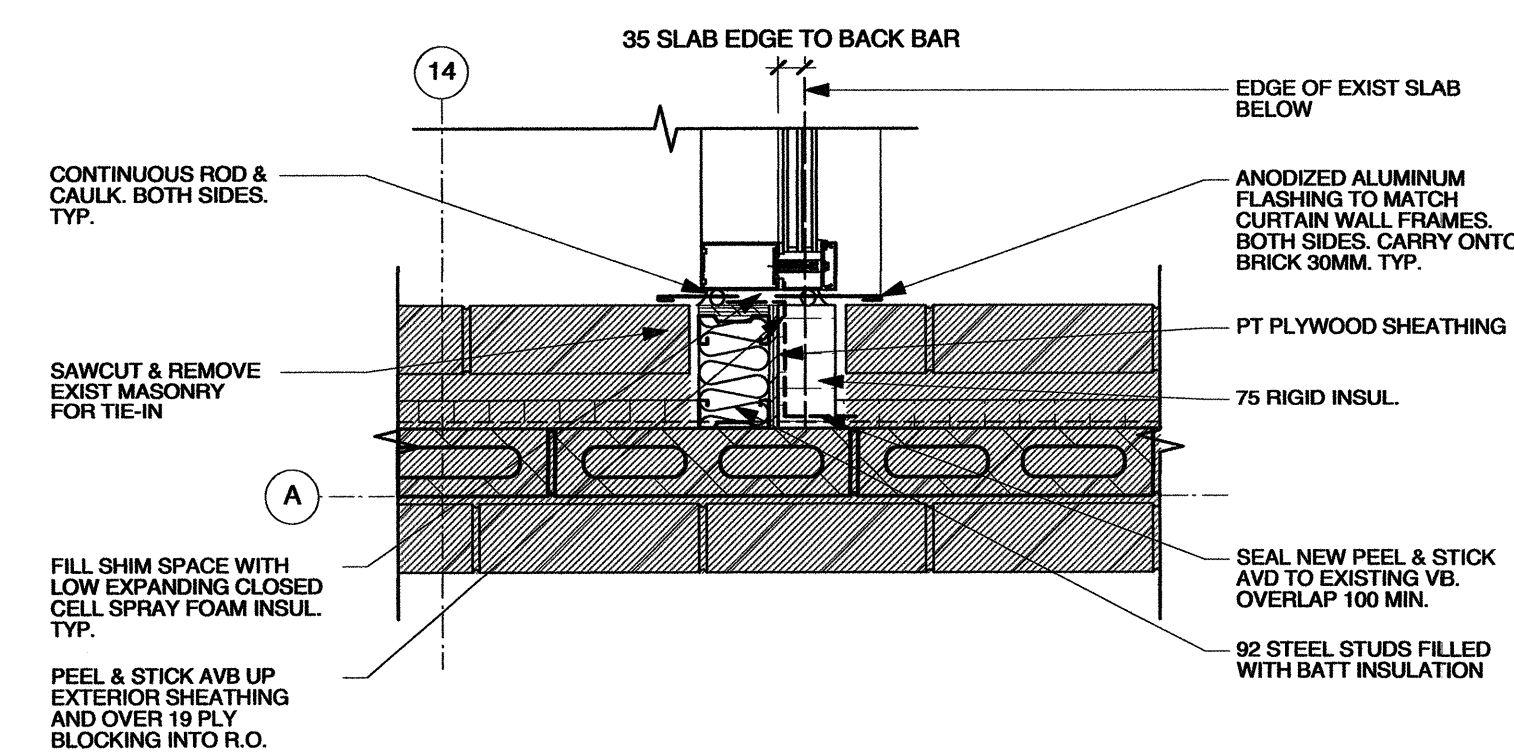
2 INSIDE CORNER @ RECEPTION ELEV. 100 600
1:10



6 BUTT JOINT FLASHING @ LAP SIDING
1:5



3 WINDOW CORNER DETAIL @ VESTIBULE
1:10



4 WINDOW TIE-IN @ EXIST WALL
1:10



This drawing must not be used for any other project without the express written permission of the architect. All rights reserved. No reproduction may be made without the permission of the architect. All prints to be returned to the architect on request.