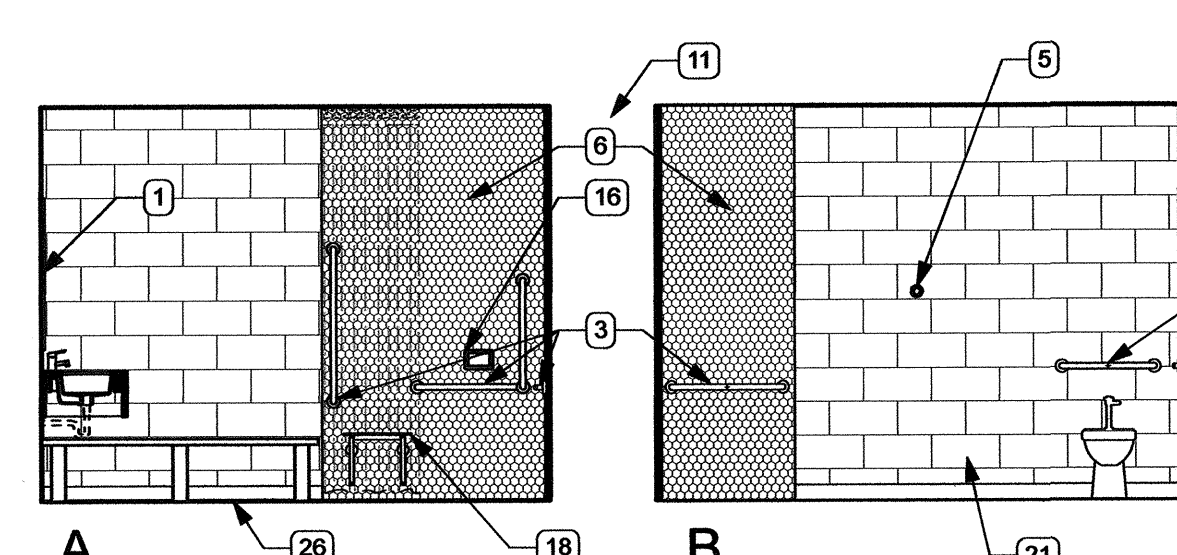
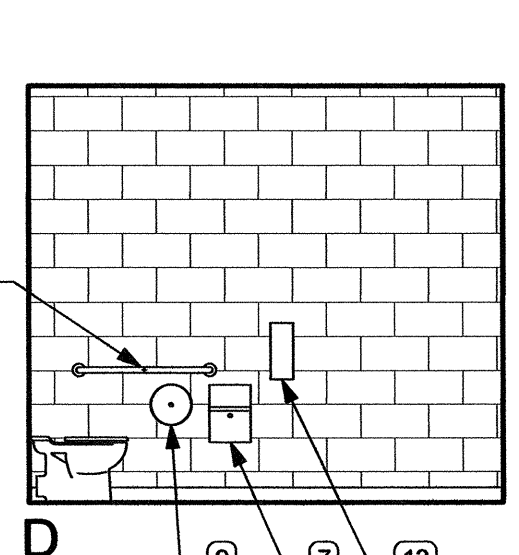
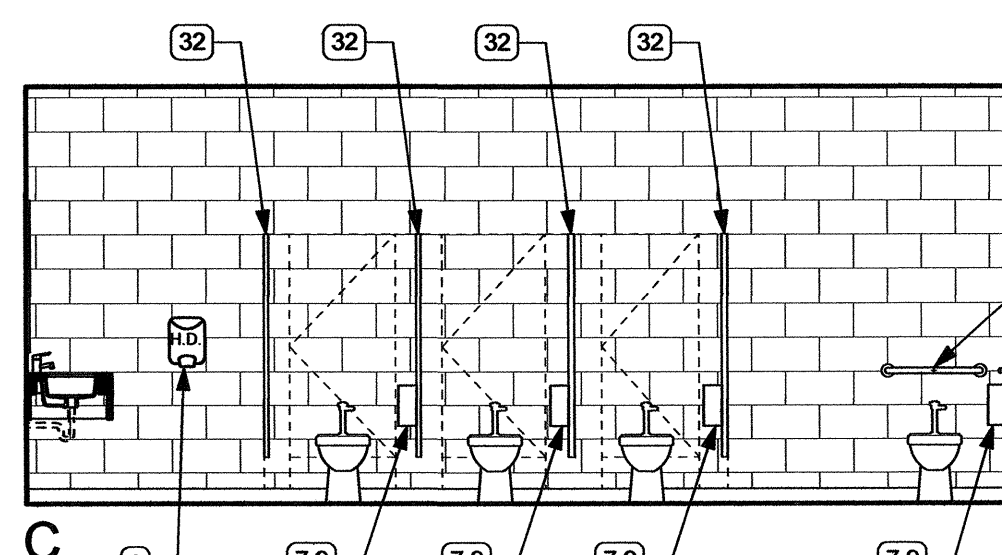
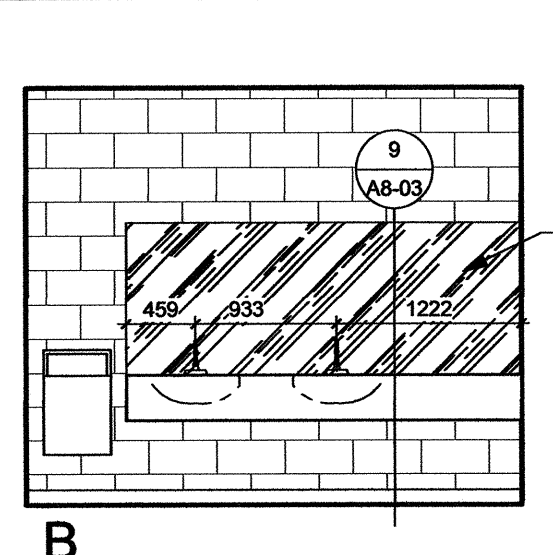
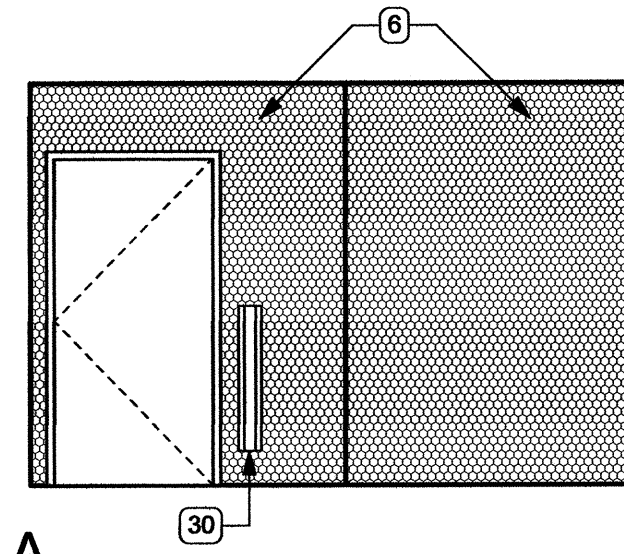
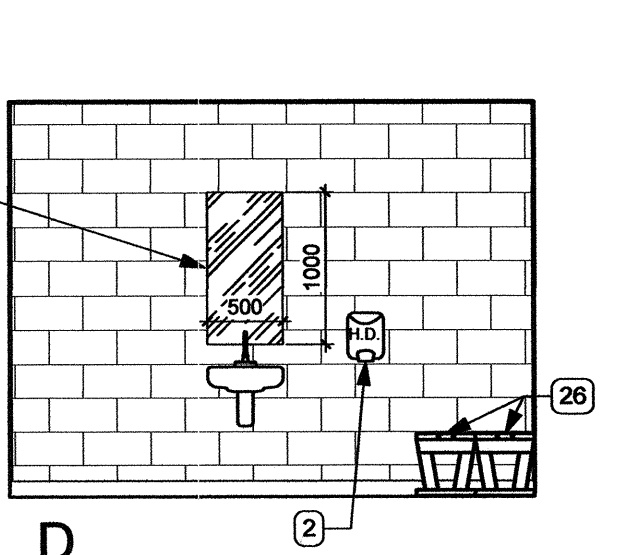
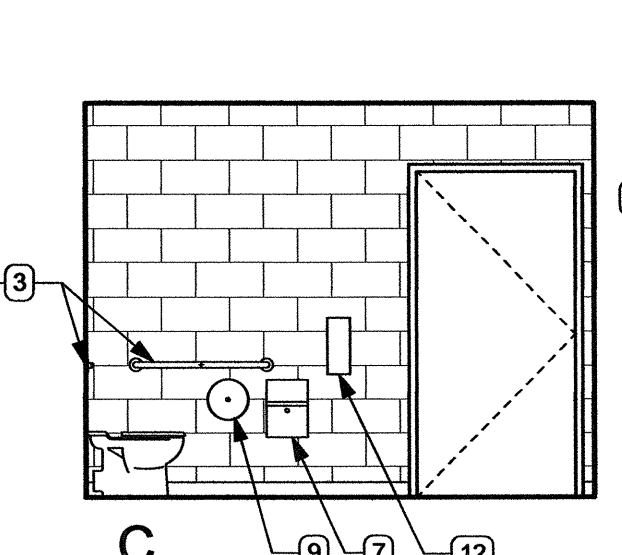


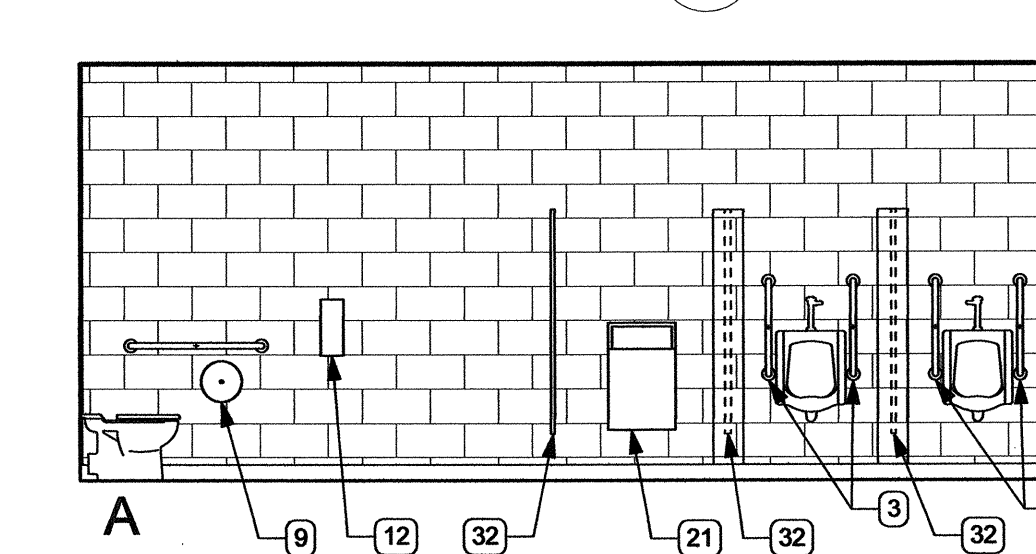
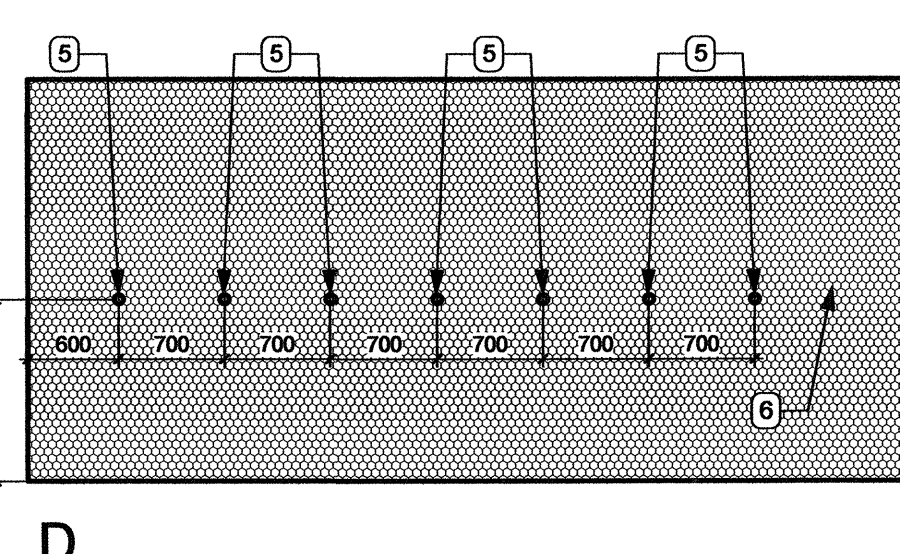
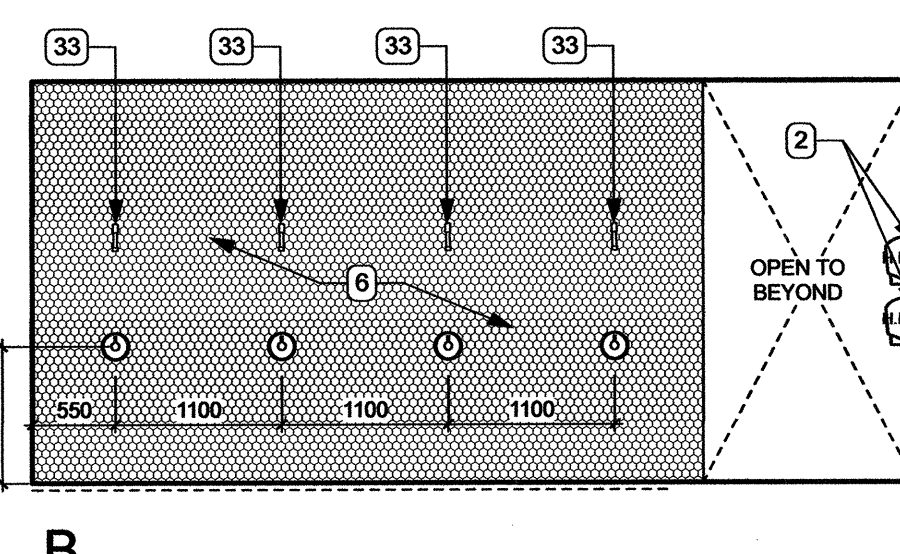
1 F/WC RM 114
A7-01 1:50



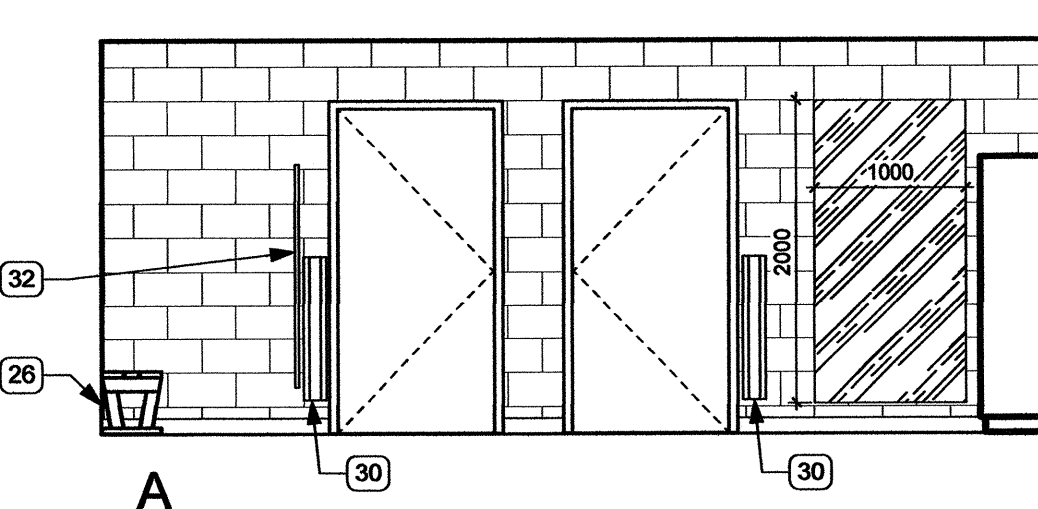
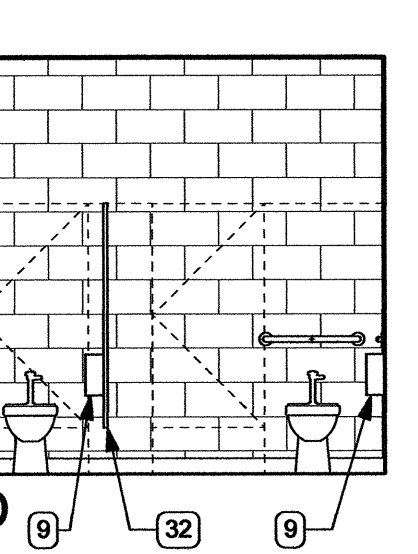
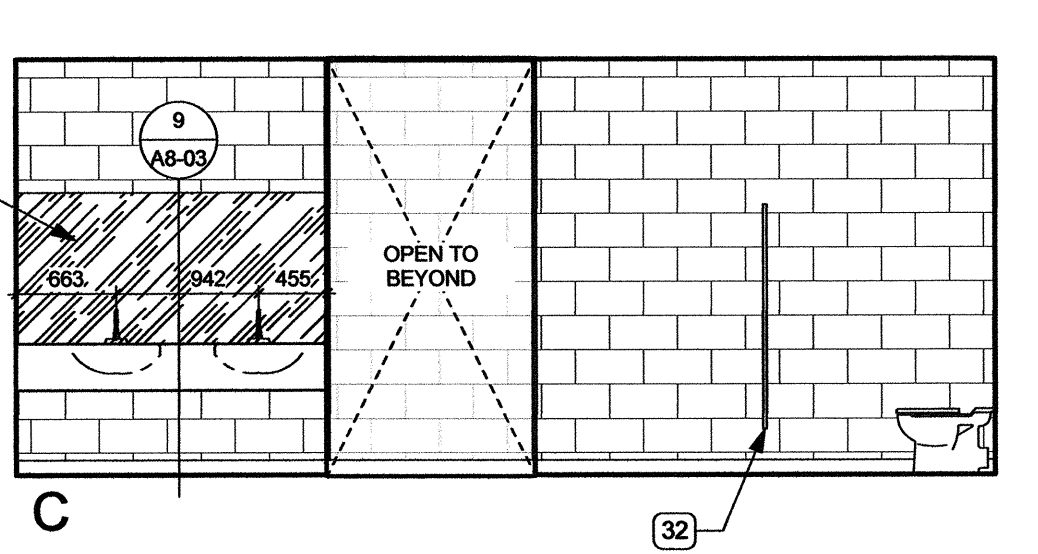
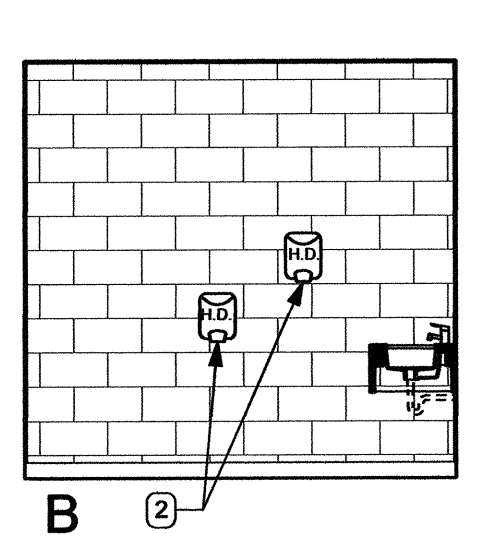
2 W/C CHANGE RM 112 (RM 113 SIM. / MIRRORED)
A7-01 1:50



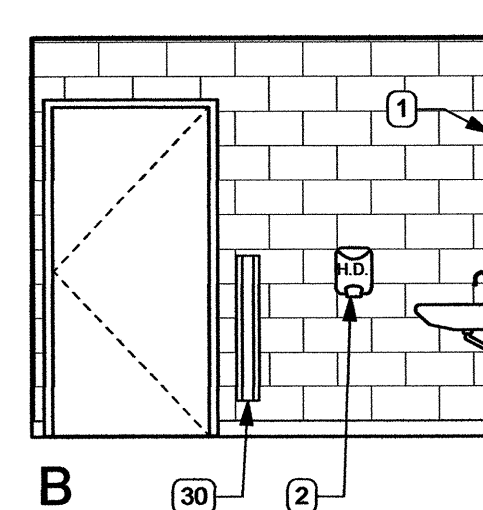
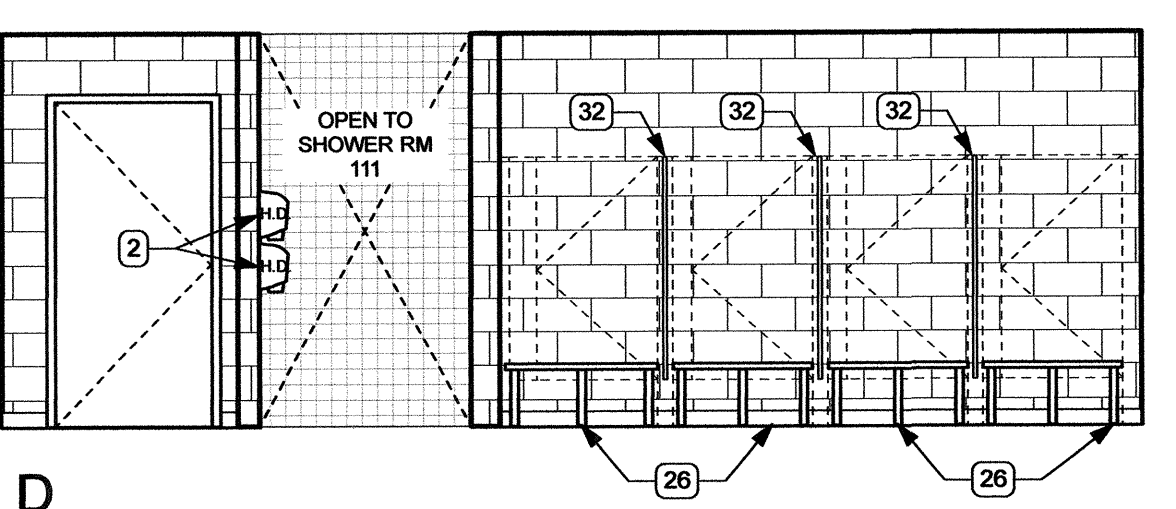
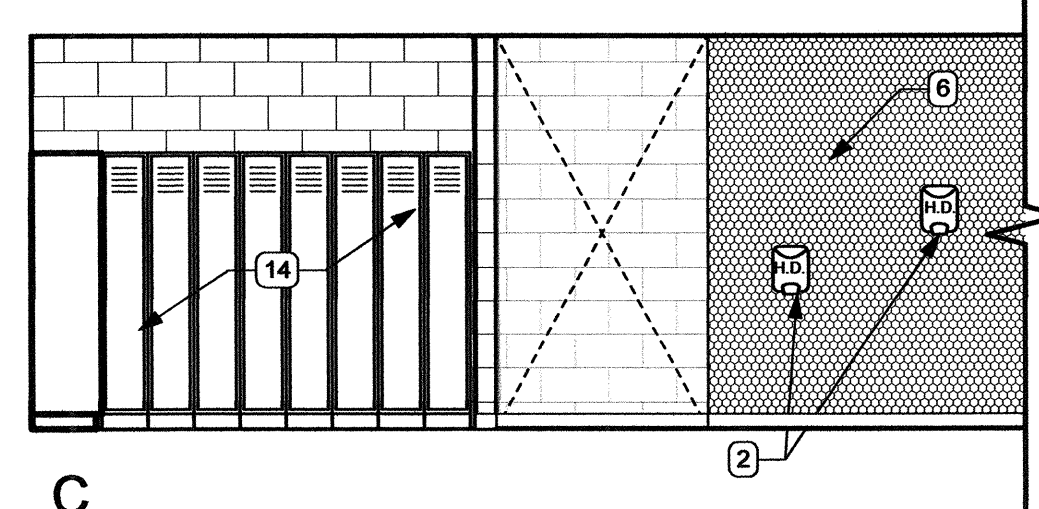
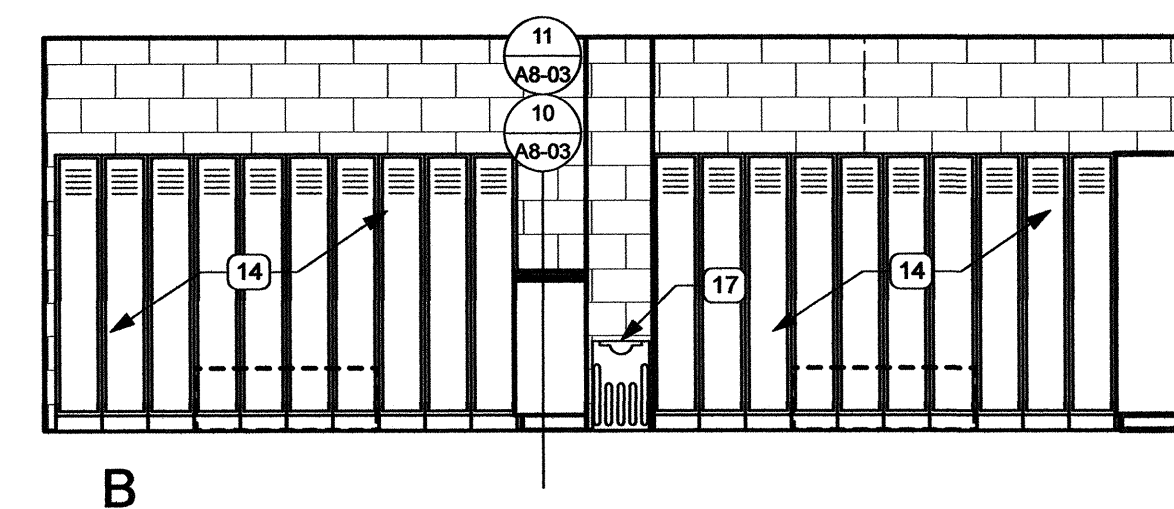
3 SHOWER RM 111
A7-01 1:50



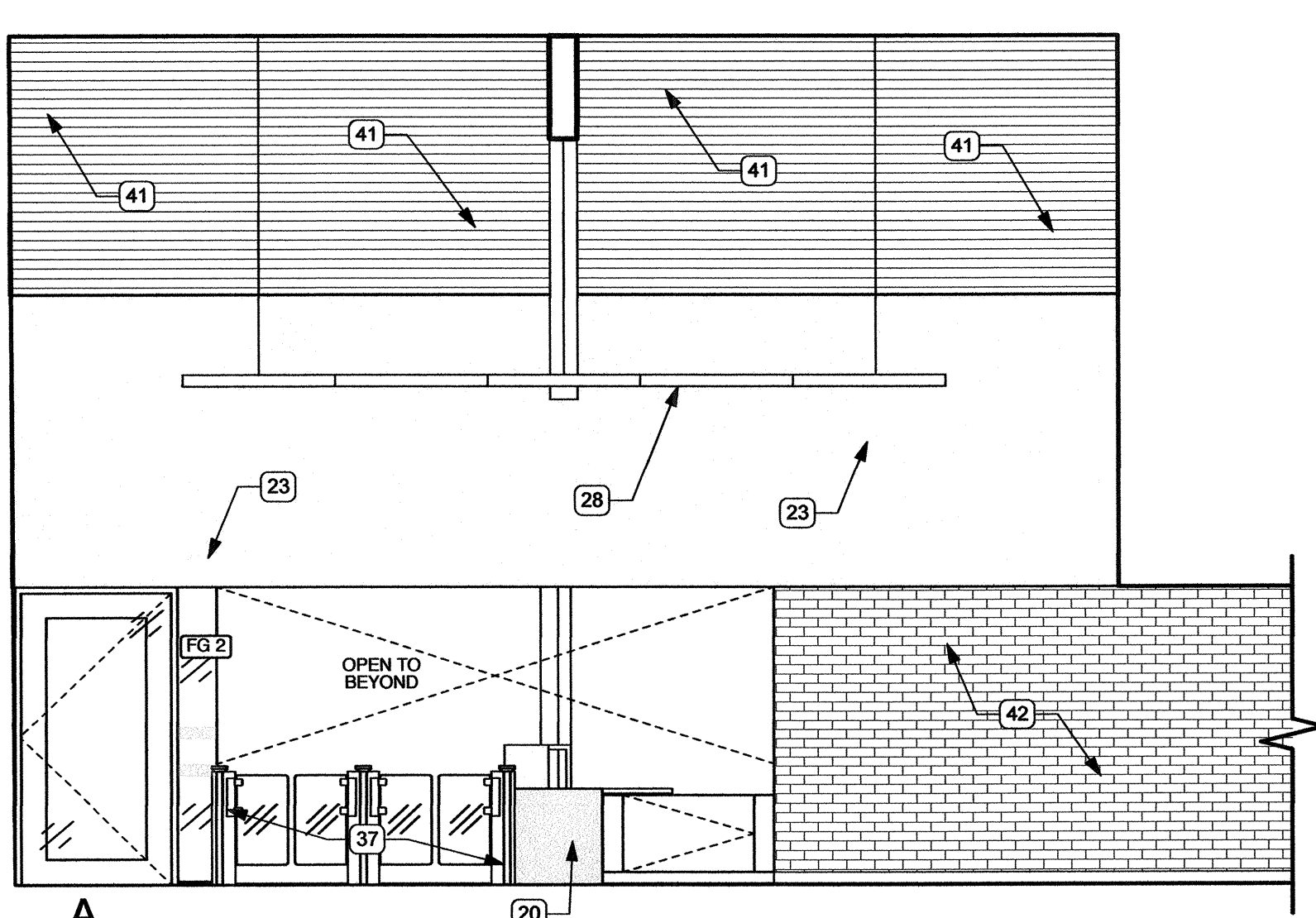
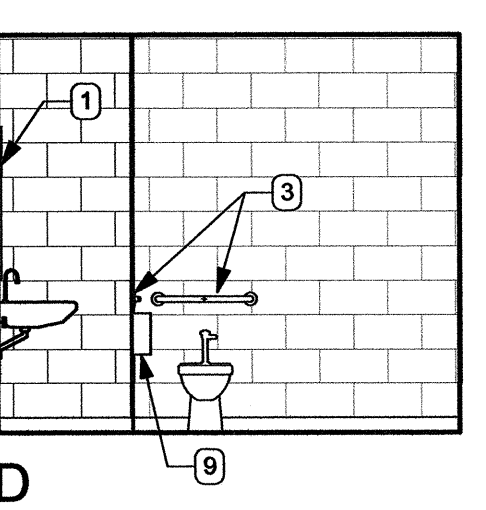
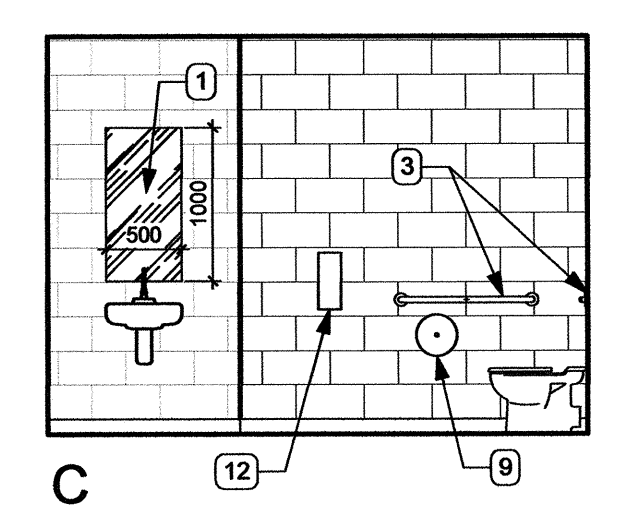
4 M/WC RM 116
A7-01 1:50



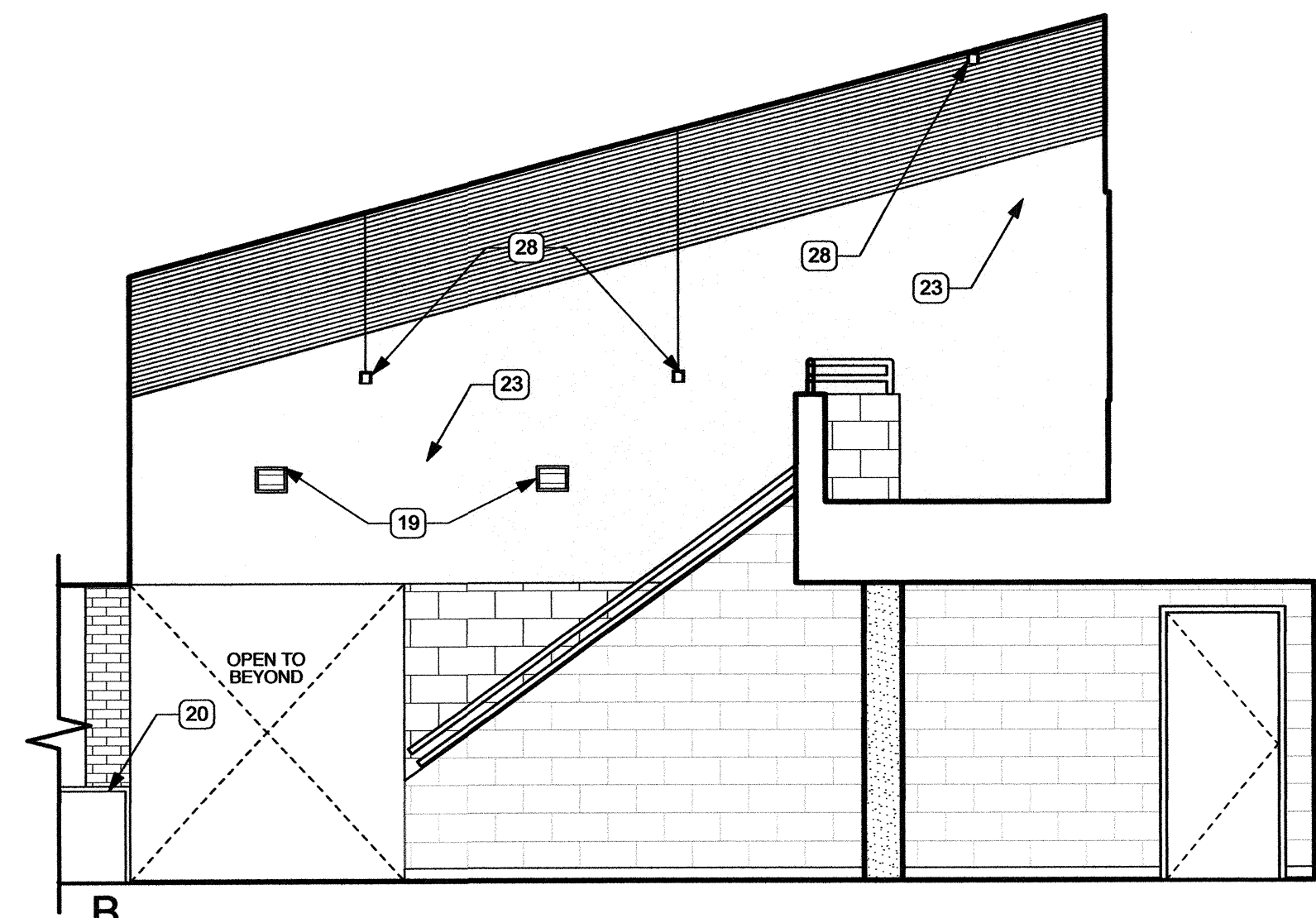
5 UNIVERSAL CHANGE RM 110
A7-01 1:50



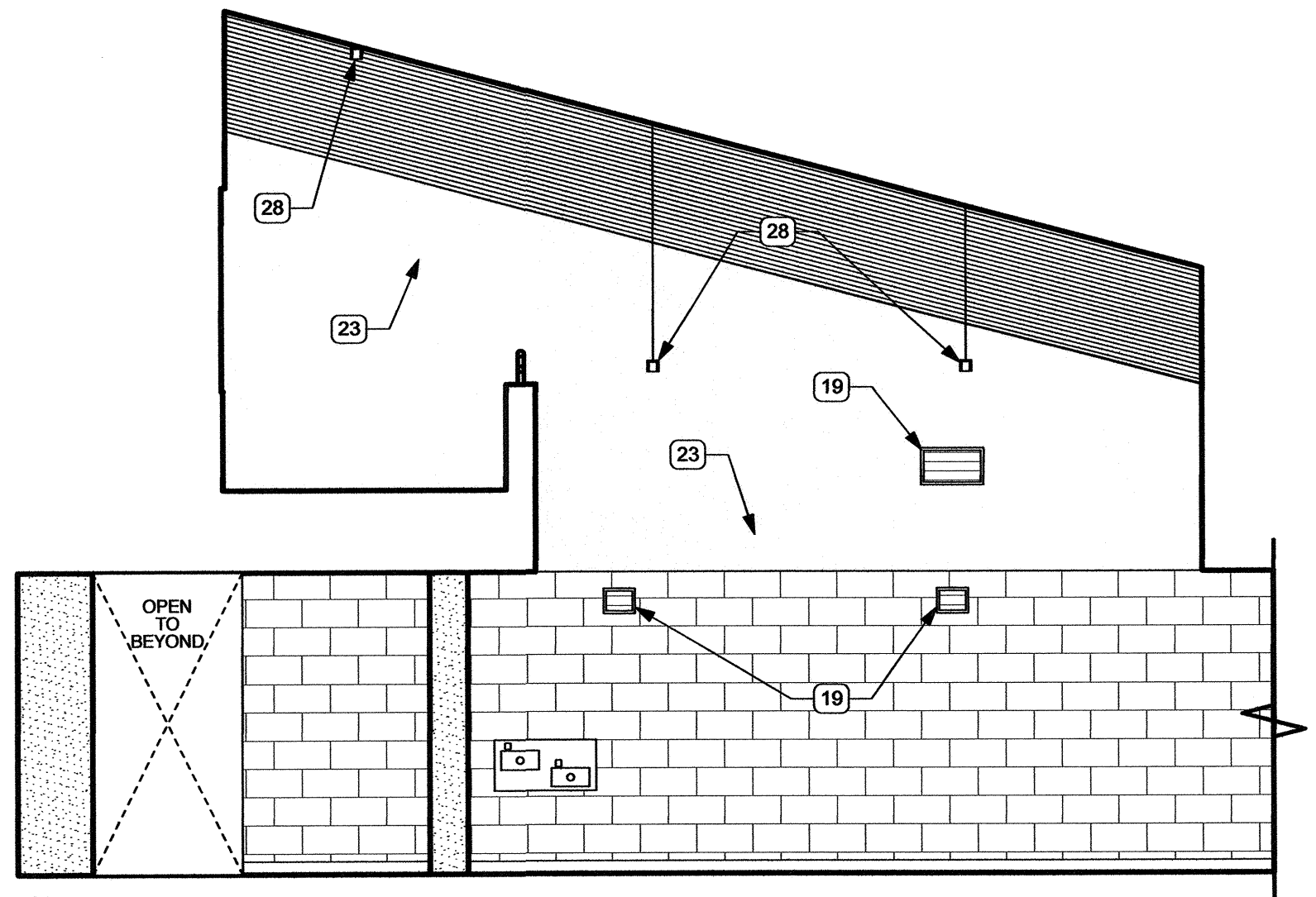
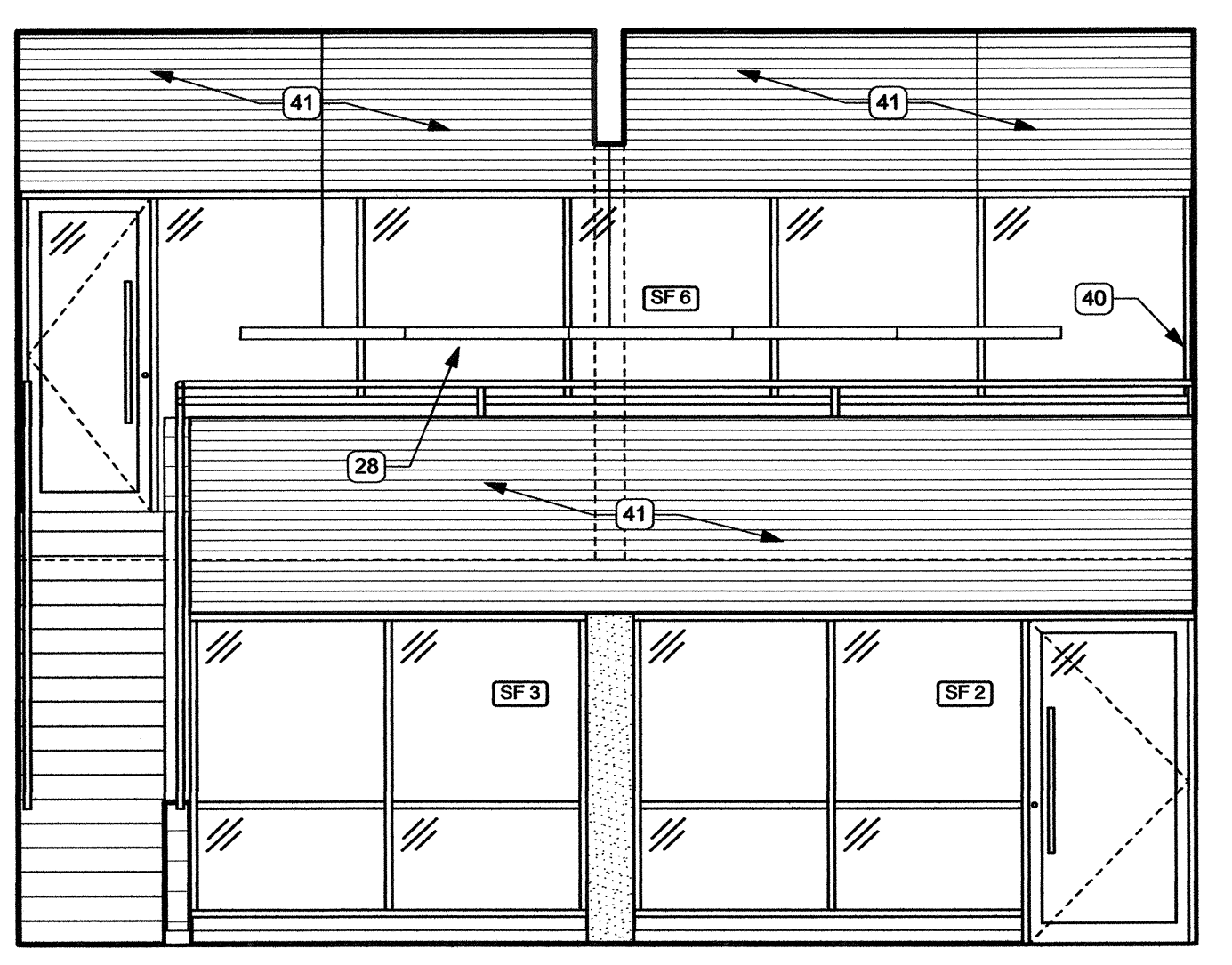
6 W/C RM 122
A7-01 1:50



7 VIEWING LOBBY 102
A7-01 1:50



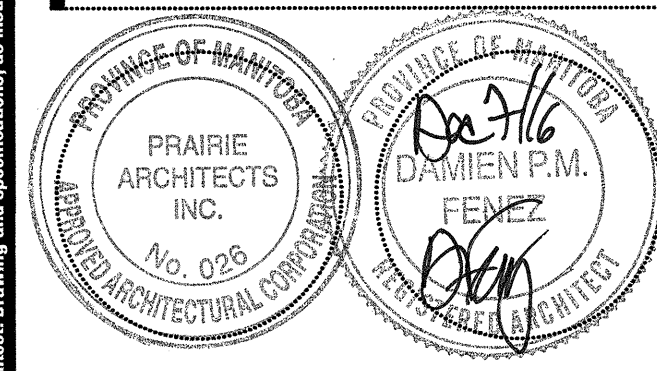
- INTERIOR ELEVATION KEYNOTES:**
- MIRROR
 - HAND DRYER
 - GRAB BAR
 - LAVATORY, REFER TO MECH
 - HOOK
 - CERAMIC TILE TO U/S OF CEILING
 - SANITARY NAPKIN DISPOSAL
 - STL COL, REFER TO STRUCT
 - TOILET PAPER DISPENSER, N.I.C.
 - SOAP DISPENSER, N.I.C.
 - CURTAIN TRACK W/ SHOWER CURTAIN
 - ACCESSIBLE FOLDING SHELF
 - HOSE BIBB, REFER TO MECH
 - LOCKERS
 - TACKBOARD
 - RECESSED SOAP DISH
 - SWIMSUIT DRYER (NIC) ROUGH-IN ONLY
 - FOLD-UP SEAT
 - MECH GRILLES, REFER TO MECH
 - RECEPTION DESK, REFER TO DETAILS
 - SEMI-RECESSED WASTE RECEPTACLES
 - RECESS IN VID CEILING ABOVE FOR DOOR OPERATOR
 - GWB FINISH
 - BABY CHANGE STATION
 - SEMI-RECESSED FIRE EXTINGUISHER
 - CHANGE BENCH
 - EXPOSED DUCT, REFER TO MECH
 - LIGHT FIXTURE, REFER TO ELEC
 - INFILL W/ SALVAGED BRICK FROM EXIST BUILDING
 - AUTO DOOR OPERATOR
 - LOCKER ROOM BENCH
 - TOILET/TURAL PARTITION
 - SHOWER VALVE & FAUCET, REFER TO MECH
 - WALL MOUNTED HYDRANT, REFER TO MECH
 - FIRE ALARM ANNUNCIATOR PANEL, REFER TO ELEC
 - ALUMINUM FIN MOUNTED SIGNAGE
 - ENTRY GATE SYSTEM
 - ACRYLIC SIGNAGE W/ DOUBLED ACRYLIC BACKER OFFSET ADHERED TO CMU
 - ALUMINUM RAIL, REFER TO PLAN FOR REMOVABLE SECTIONS
 - EXISTING GLAZING TO REMAIN, MODIFY AT MULLION AS REQ'D FOR NEW WALL
 - EXISTING WOOD TO REMAIN
 - EXISTING BRICK TO REMAIN
 - RAMP & RAILING INTO POOL, REFER TO DETAILS



Issue / rev.

0	2016.12.08	ISSUED FOR CONSTRUCTION
#	date	issue notes

professional seals



project information

SEVEN OAKS POOL RENOVATION & ADDITION
444 ADSUM DRIVE
WINNIPEG, MB
CANADA

client

CITY OF WINNIPEG
4TH FLOOR - 85 KING ST.
WINNIPEG, MB

drawing information

INTERIOR ELEVATIONS
drawn by: **LW**
approved by: **DF**

scale: **1:50**
date issued: **2016.12.08**
proj. #: **2014.66**
rev. #: **R-0**

SEVEN OAKS POOL RENOVATION & ADDITION
BID OPPORTUNITY NO. 1044-2016

This drawing must not be scaled. The contractor shall verify for dimensions and other data on site prior to commencement of work. All discrepancies, errors, and omissions are to be reported to the architect. Drawing and specifications are instruments of service and are the property of the architect. No reproduction may be made without the permission of the architect, and when made, must bear the name of the architect on request.