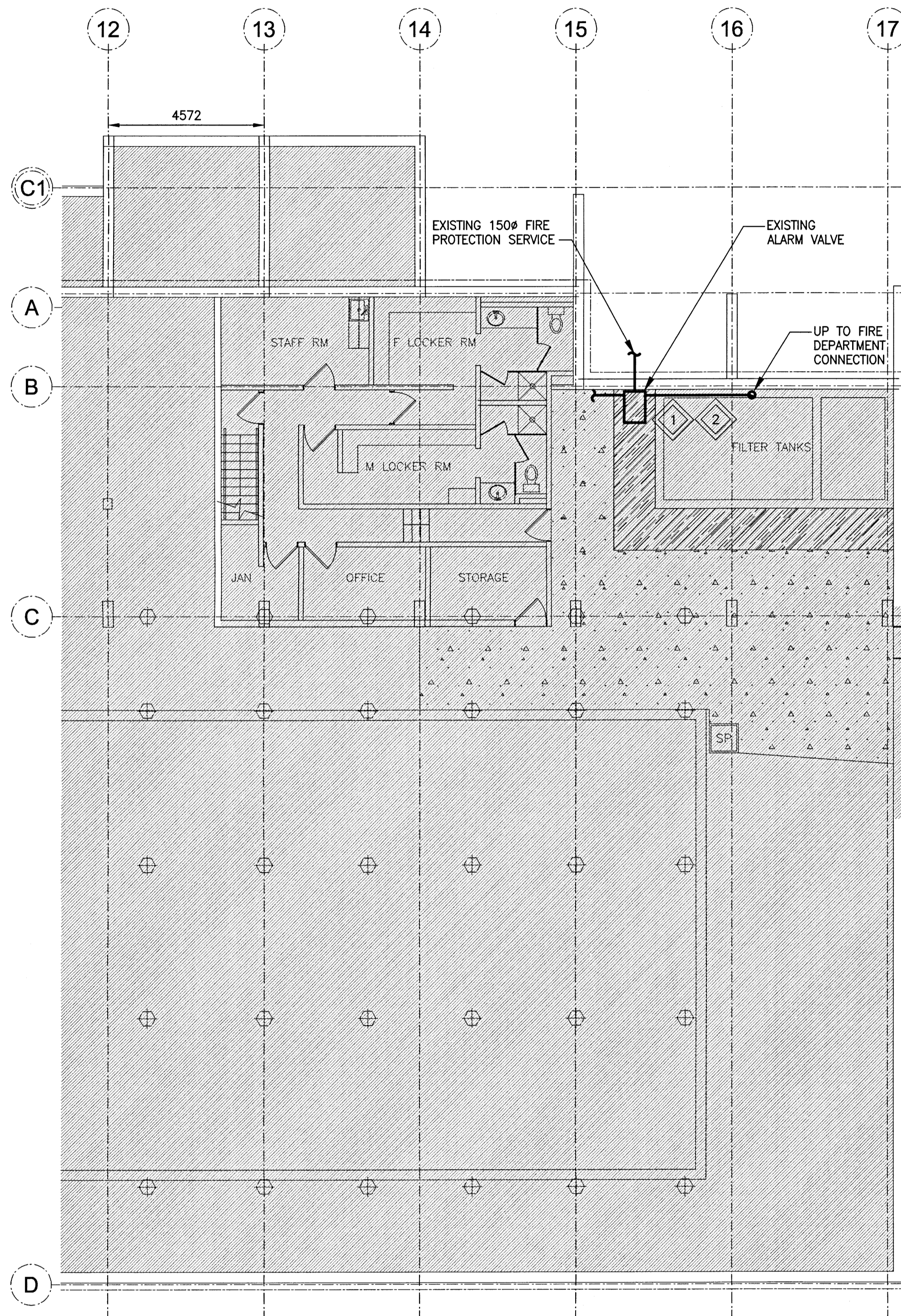


KEYNOTES: BASEMENT FLOOR PLAN DEMO

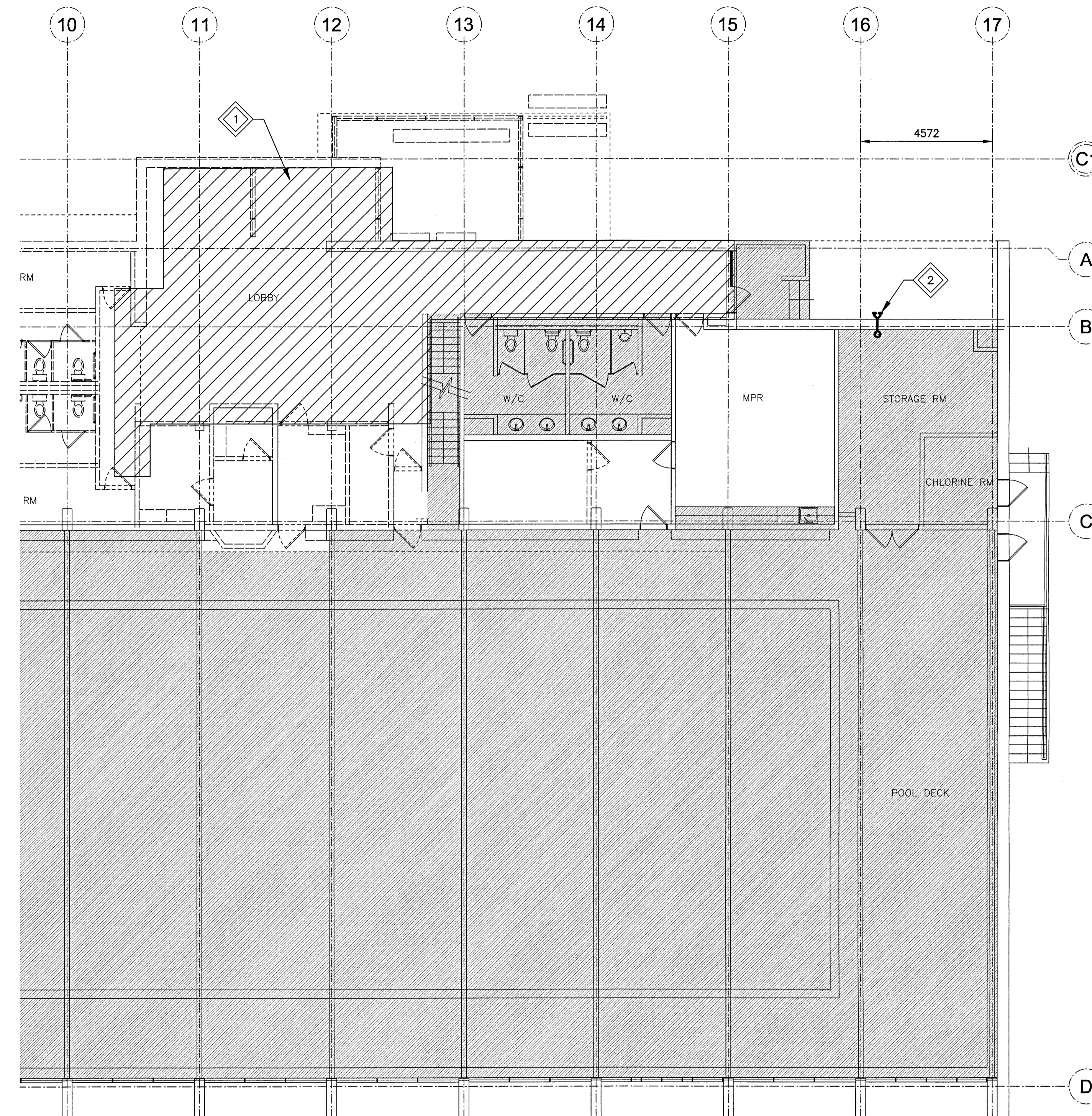
- 1 REMOVE EXISTING SPRINKLER TREE INCLUDING ALARM VALVE, TRIM AND JOCKEY PUMP. DISPOSE OF OFF SITE.
- 2 EXISTING SPRINKLER PIPING TO BE REMOVED AND DISPOSED OF OFF SITE.



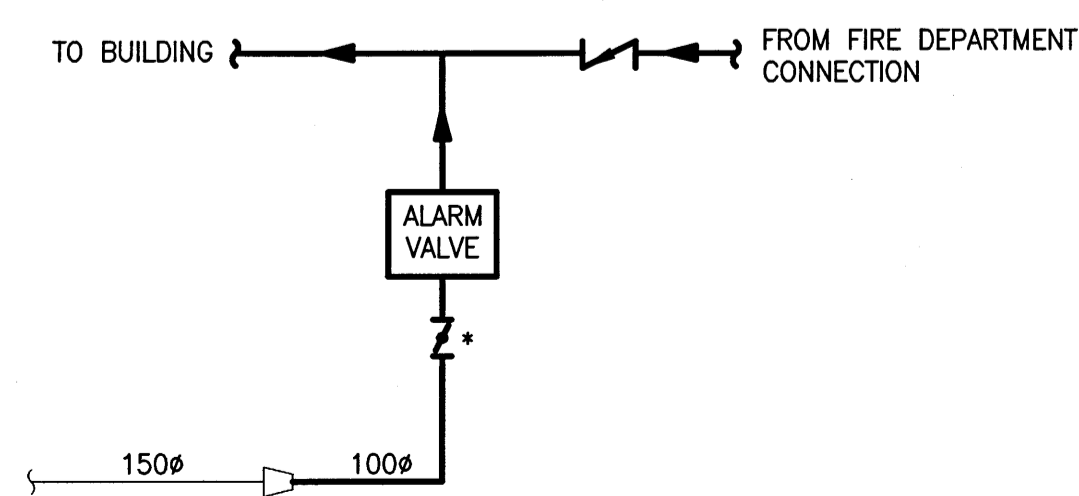
1 BASEMENT FLOOR PLAN - FIRE PROTECTION DEMO
SCALE: 1:100

KEYNOTES: MAIN FLOOR PLAN DEMO

- 1 EXISTING AREA IS CURRENTLY SPRINKLERED. CONTRACTOR TO REMOVE ALL SPRINKLER PIPING AND ASSOCIATED HEADS BACK TO SPRINKLER TREE IN BASEMENT.
- 2 LOCATION OF EXISTING SIAMSE FIRE DEPARTMENT CONNECTION AND ASSOCIATED WATER GONG. REUSE/REPLACE FIRE DEPARTMENT CONNECTION AS NECESSARY. REMOVE WATER GONG AND ASSOCIATED PIPING AND PATCH WALL PENETRATIONS.



2 MAIN FLOOR PLAN - FIRE PROTECTION DEMO
SCALE: 1:100



3 EXISTING SPRINKLER TREE DEMOLITION
SCALE: N.T.S.

Issue / rev.	date	issue notes
0	2016/12/08	ISSUED FOR CONSTRUCTION

professional seals

project information

SEVEN OAKS POOL

444 Adsum Drive
Winnipeg, MB
Canada

client

drawing information

MECHANICAL BASEMENT/MAIN FLOOR PLAN FIRE PROTECTION - DEMO

drawn by: RLR
approved by: [Signature]

scale: AS NOTED
date issued: 2016.12.08
proj. #: 14-1736-008
rev. #: R-0

APEGM
Certificate of Authorization
KGS Group
No. 245

SCALE VERIFIED BY: [Signature]

SEVEN OAKS POOL RENOVATION & ADDITION
BID OPPORTUNITY NO. 1044-2016

M1 03

File Name: P:\Projects\2014\14-1736-008\Draw\Mech\14-1736-008_M1-03.dwg - Tab: M1-03 Plotted By: dderochte 16/12/07 [Web 3:08pm]

This drawing must not be scaled. The contractor shall verify all dimensions and other data on site prior to commencement of work. All discrepancies, errors, and omissions are to be reported to the architect. Drawing and specifications, as instruments of service, are the property of the architect. No reproduction may be made without the permission of the architect, and when made, must bear his name. All prints to be returned to the architect on request.