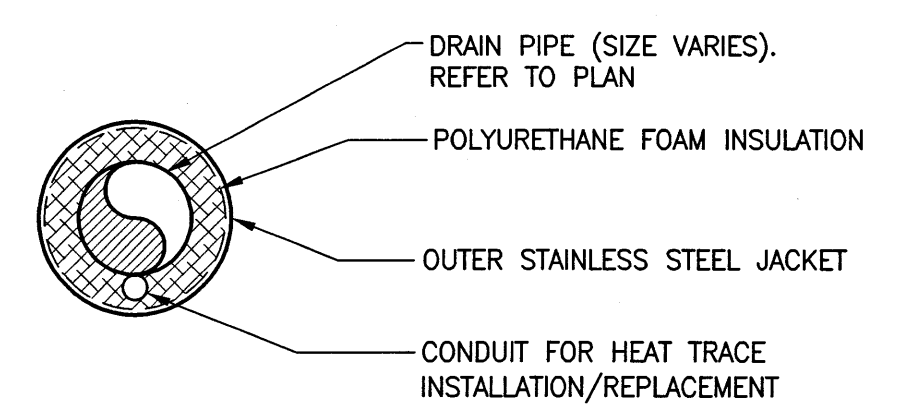
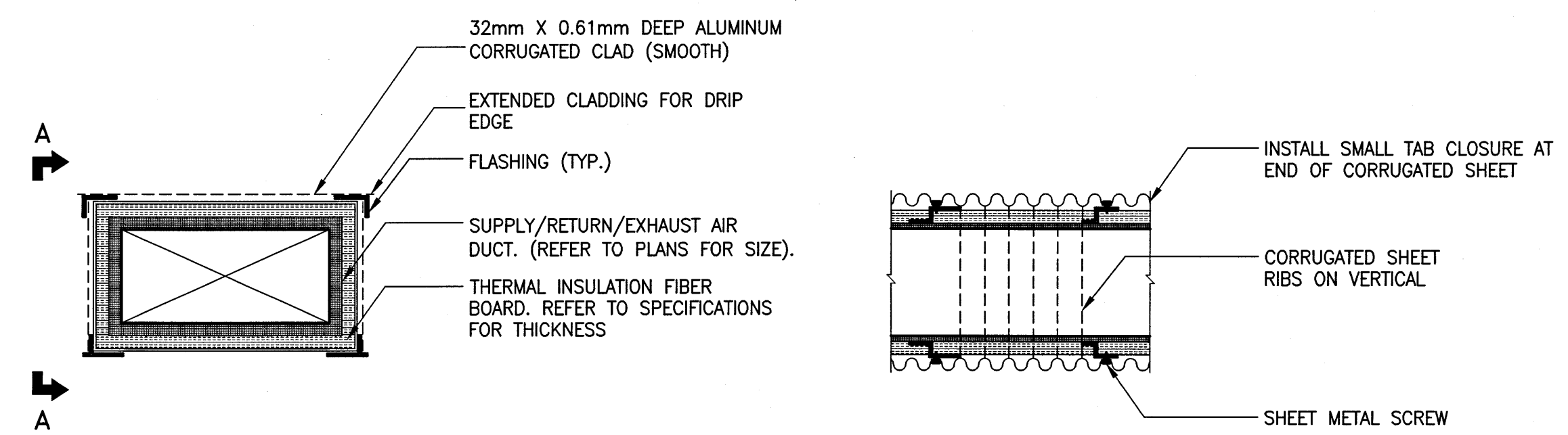


1 SUMP PUMP DETAIL
M2-00 SCALE: N.T.S.

- NOTES:**
- REFER TO MANUFACTURER RECOMMENDATIONS FOR FLOAT ELEVATION AND SPACING.
 - REFER TO STRUCTURAL FOR DIMENSIONS OF FIT.



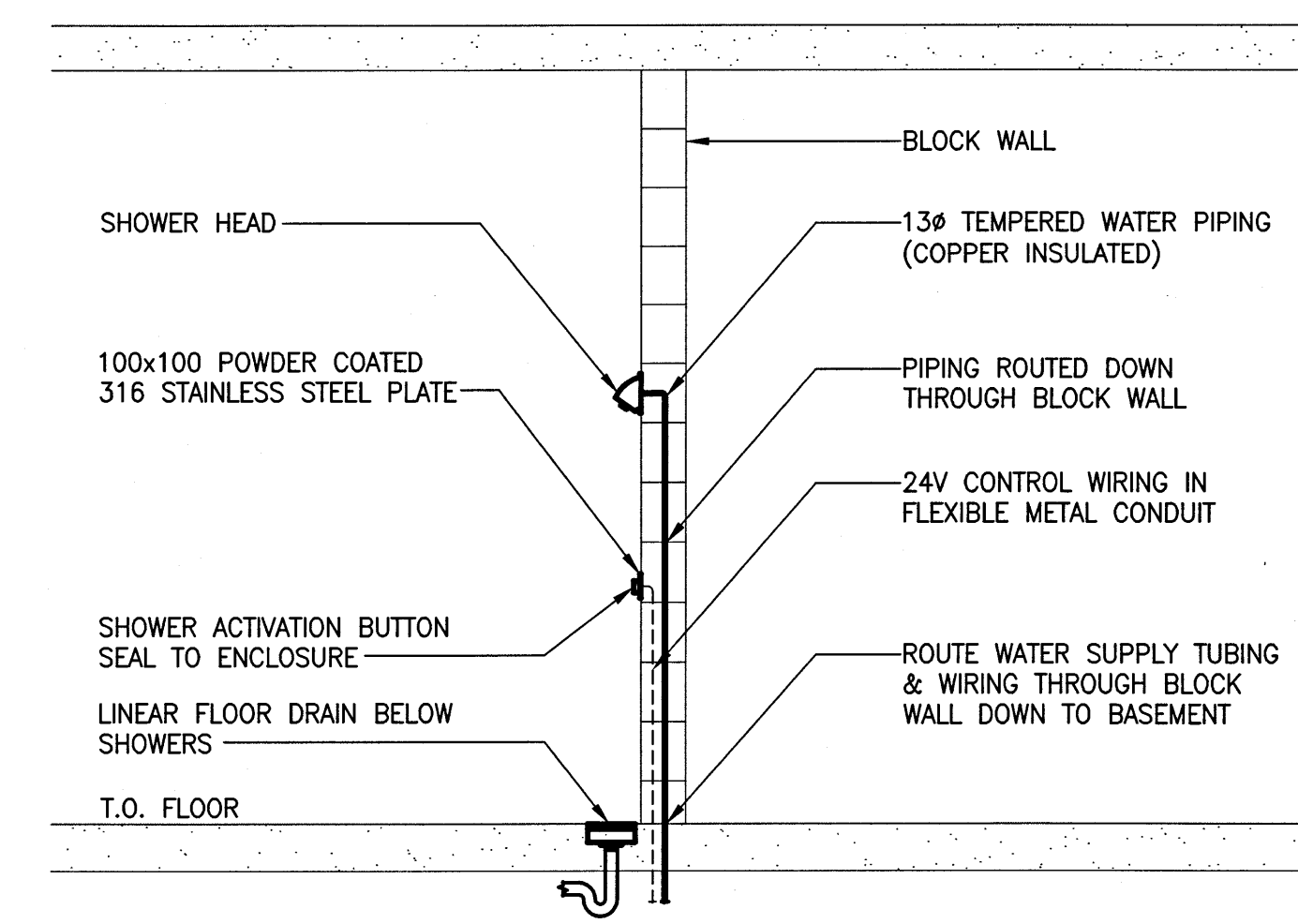
2 EXTERIOR PIPING INSULATION DETAIL
SCALE: N.T.S.



SECTION - AA
SCALE: N.T.S.

- NOTES:**
- ALL CORRUGATED SHEETS AND CLOSURES/ GASKETS SHALL BE OF SAME PROFILE TO ENSURE WATER TIGHT SEAL.
 - INSIDE CORNERS SHALL BE FLUSHED AND PROVIDED WITH CLOSURES TO ENSURE WATER TIGHT SEAL.
 - EDGES OF VERTICAL SECTIONS OF DUCTWORK SHALL BE CAPPED AND SEALED WITH FLASHING. PROPER OVERLAPS SHALL BE INSTALLED AT TOP OF DUCT TO ENSURE WATER TIGHT SEAL.

3 DUCT CLADDING DETAIL
SCALE: N.T.S.



4 ROOM 111 SHOWERS - SHOWER DETAIL
SCALE: N.T.S.

This drawing must not be scaled. The contractor shall verify all dimensions and other data on site prior to commencement of work. All discrepancies, errors, and omissions are to be reported to the architect. Drawing and specifications, as instruments of service, are the property of the architect. No reproduction may be made without the permission of the architect, and where made, must bear his name. All prints to be returned to the architect on request.

issue / rev.	date	issue notes
0	2016/12/08	ISSUED FOR CONSTRUCTION
#		

professional seals

project information

SEVEN OAKS POOL

444 Adsum Drive
Winnipeg, MB
Canada

client

City of Winnipeg
4th Floor - 86 King Street
Winnipeg, MB

drawing information

MECHANICAL SECTIONS AND DETAILS

drawn by: RLR
approved by:

scale: AS NOTED
date issued: 2016.12.08
proj. #: 14-1736-008
rev. #: R-0

SEVEN OAKS POOL RENOVATION & ADDITION
BID OPPORTUNITY NO. 1044-2016