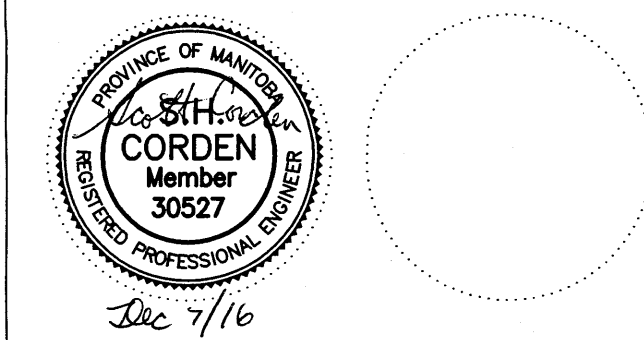


Issue / rev.		
0	2016/12/08	ISSUED FOR CONSTRUCTION
#	date	issue notes

professional seals



project information

**SEVEN OAKS POOL**

444 Adsum Drive  
Winnipeg, MB  
Canada

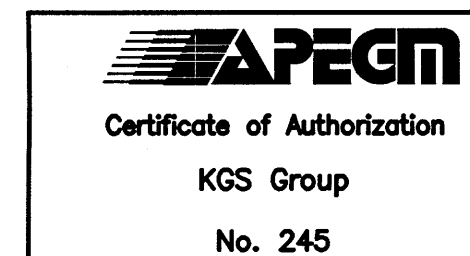
client

City of Winnipeg  
4th Floor - 86 King Street  
Winnipeg, MB

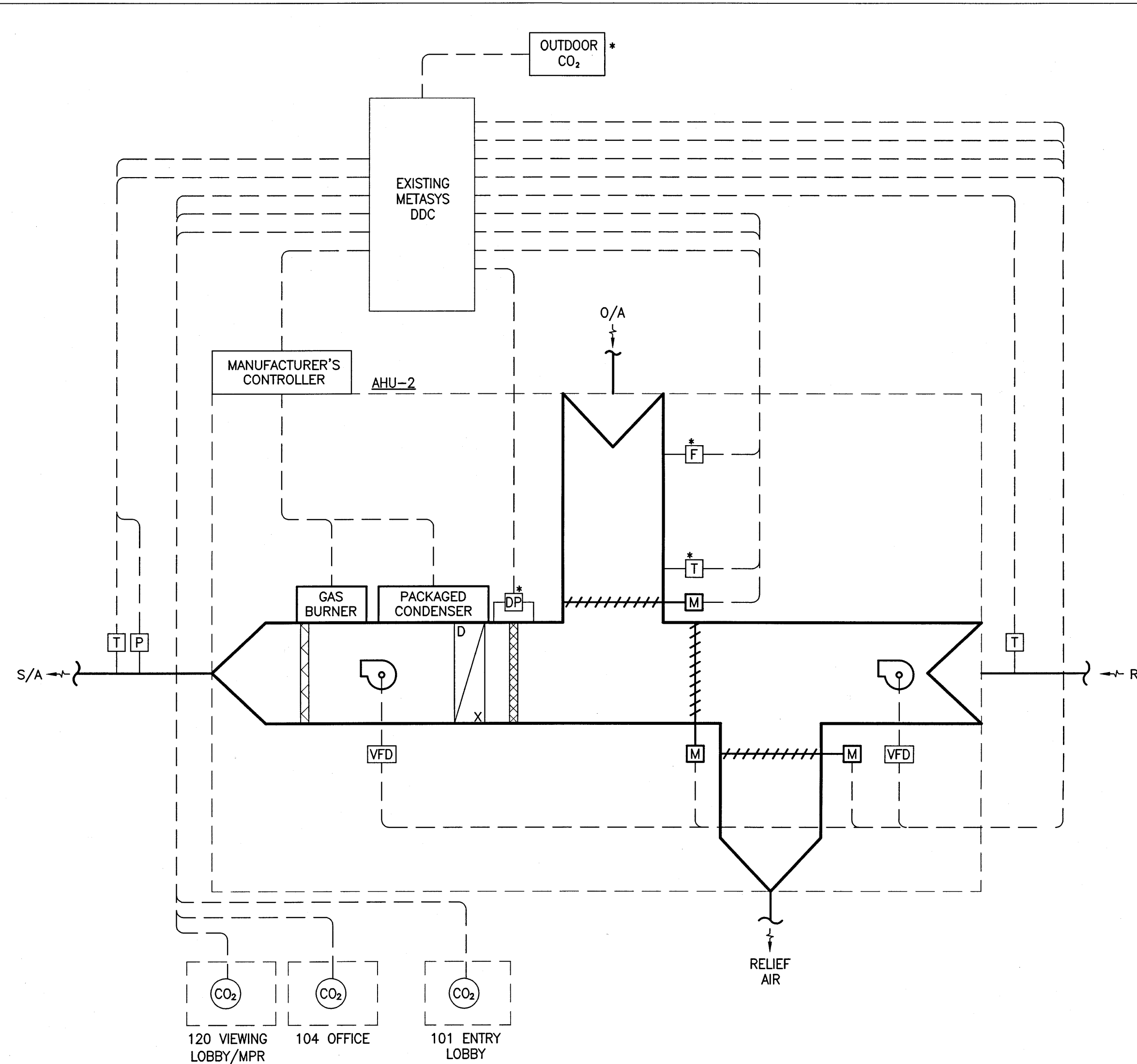
drawing information

**MECHANICAL  
HVAC CONTROL  
SCHEMATICS**

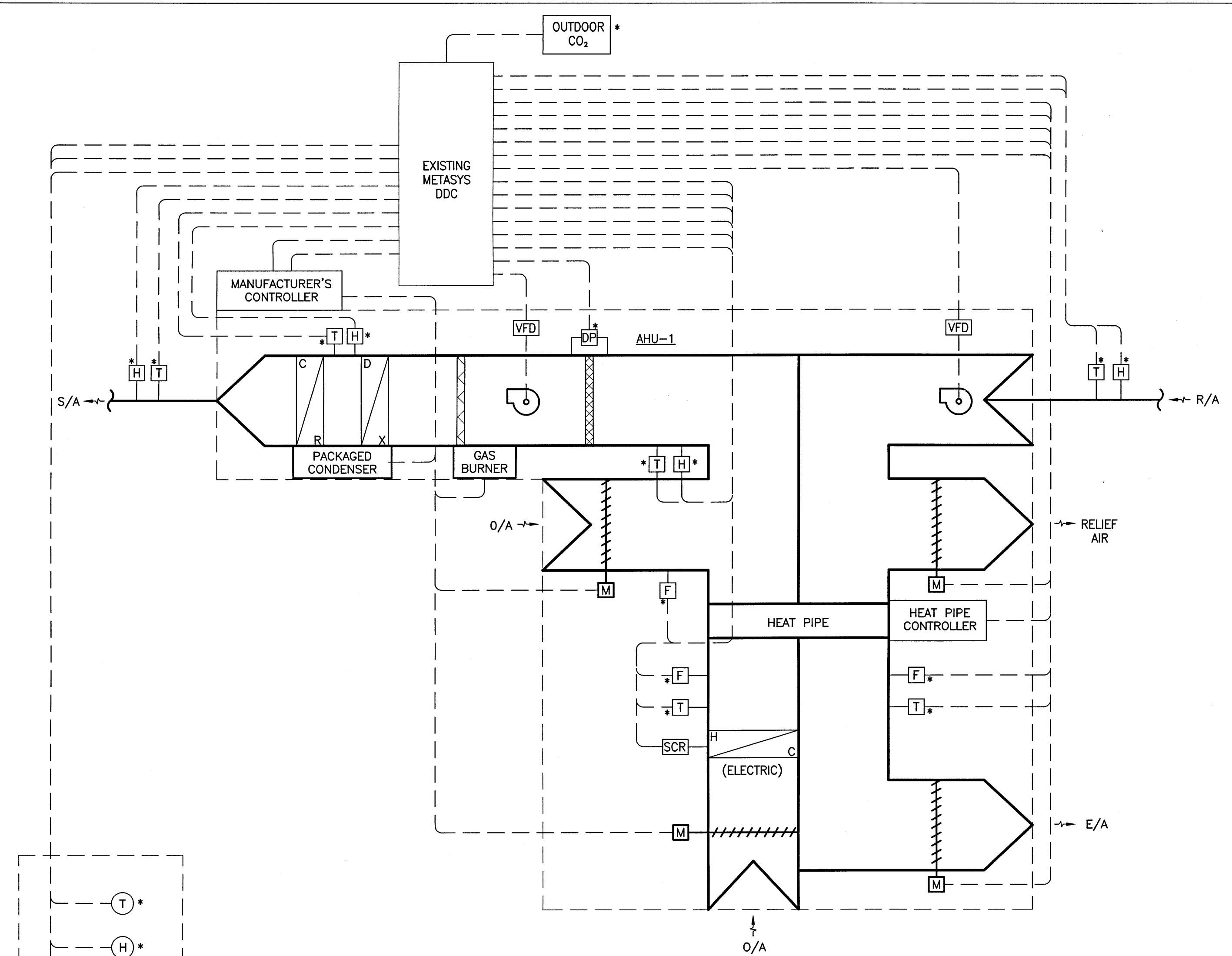
drawn by: **RLR**  
approved by: *[Signature]*  
scale: **AS NOTED**  
date issued: **2016.12.08**  
proj. #: **14-1736-008**  
rev. #: **R-0**



**M6  
03**

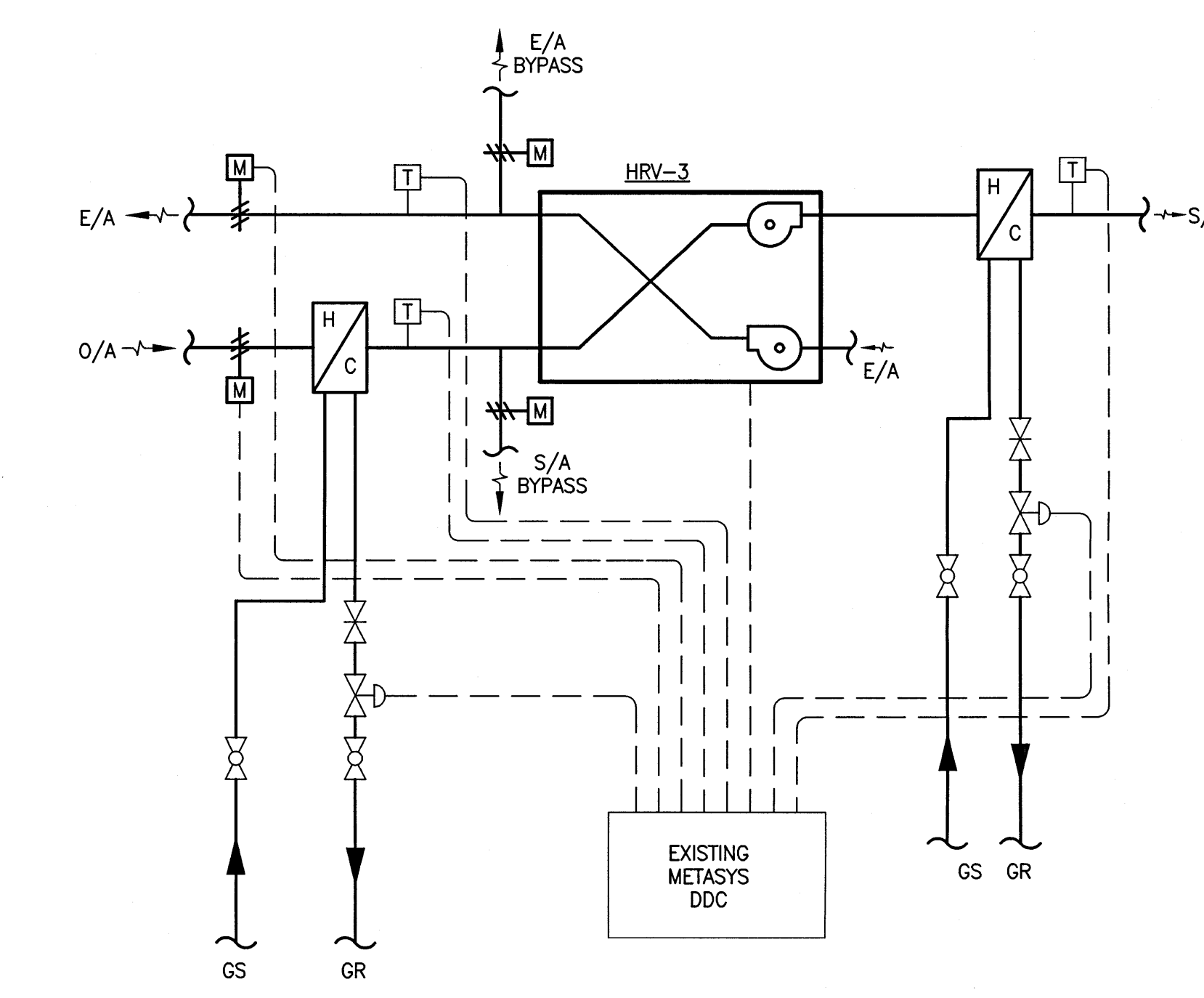
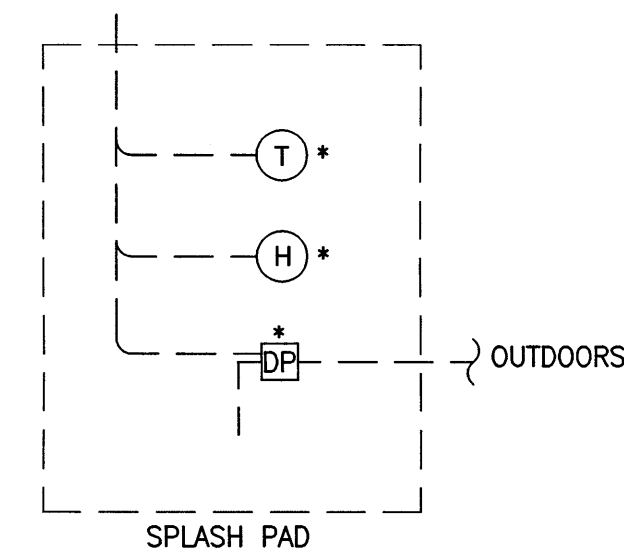


NOTE: UNIT COMPLETE WITH INTEGRAL O/A FLOW & CO<sub>2</sub> SENSORS.  
**2** AHU-2 CONTROL SCHEMATIC  
SCALE: N.T.S.

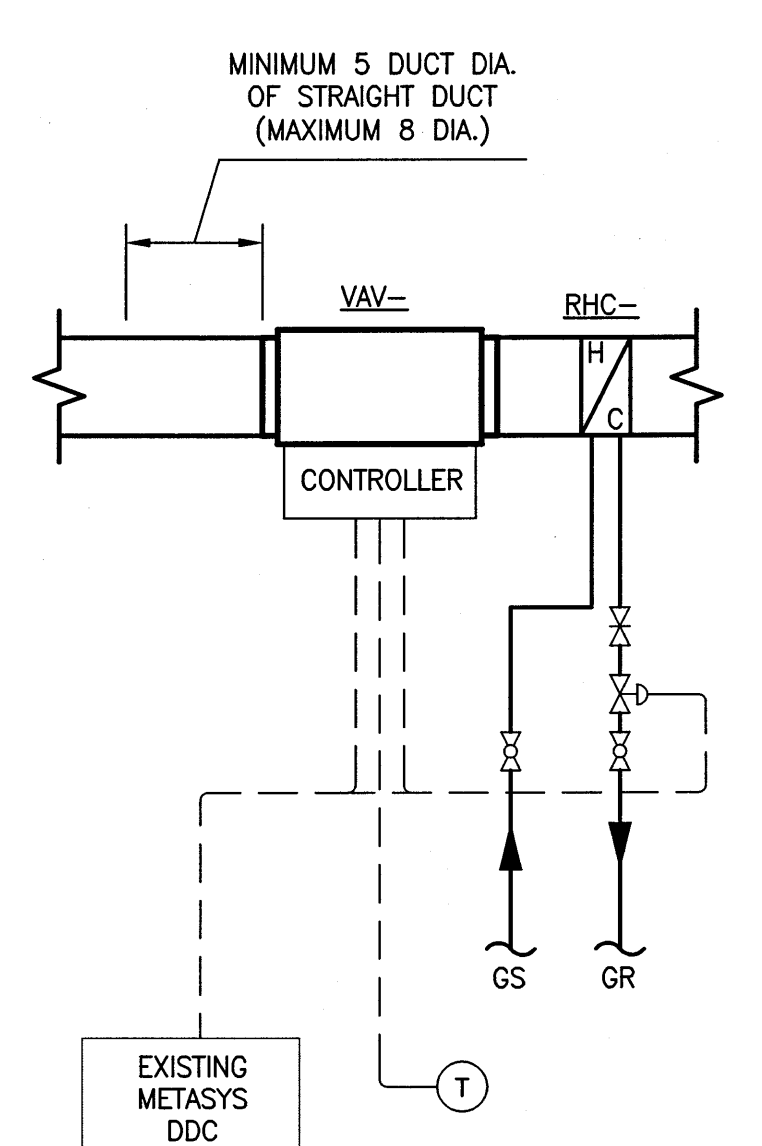


- NOTES:
1. "\*" DENOTES SENSORS SUPPLIED AND INSTALLED BY CONTROLS CONTRACTOR. SENSORS ARE WIRED TO DDC BY CONTROLS CONTRACTOR.
  2. VFD'S SUPPLIED AND INSTALLED BY AHU VENDOR. VFD'S CONNECTED DIRECTLY TO DDC BY CONTROLS CONTRACTOR.
  3. DAMPER CONTRACTOR ACTUATORS SUPPLIED, INSTALLED AND CONTROLLED BY AHU VENDOR CONTROL

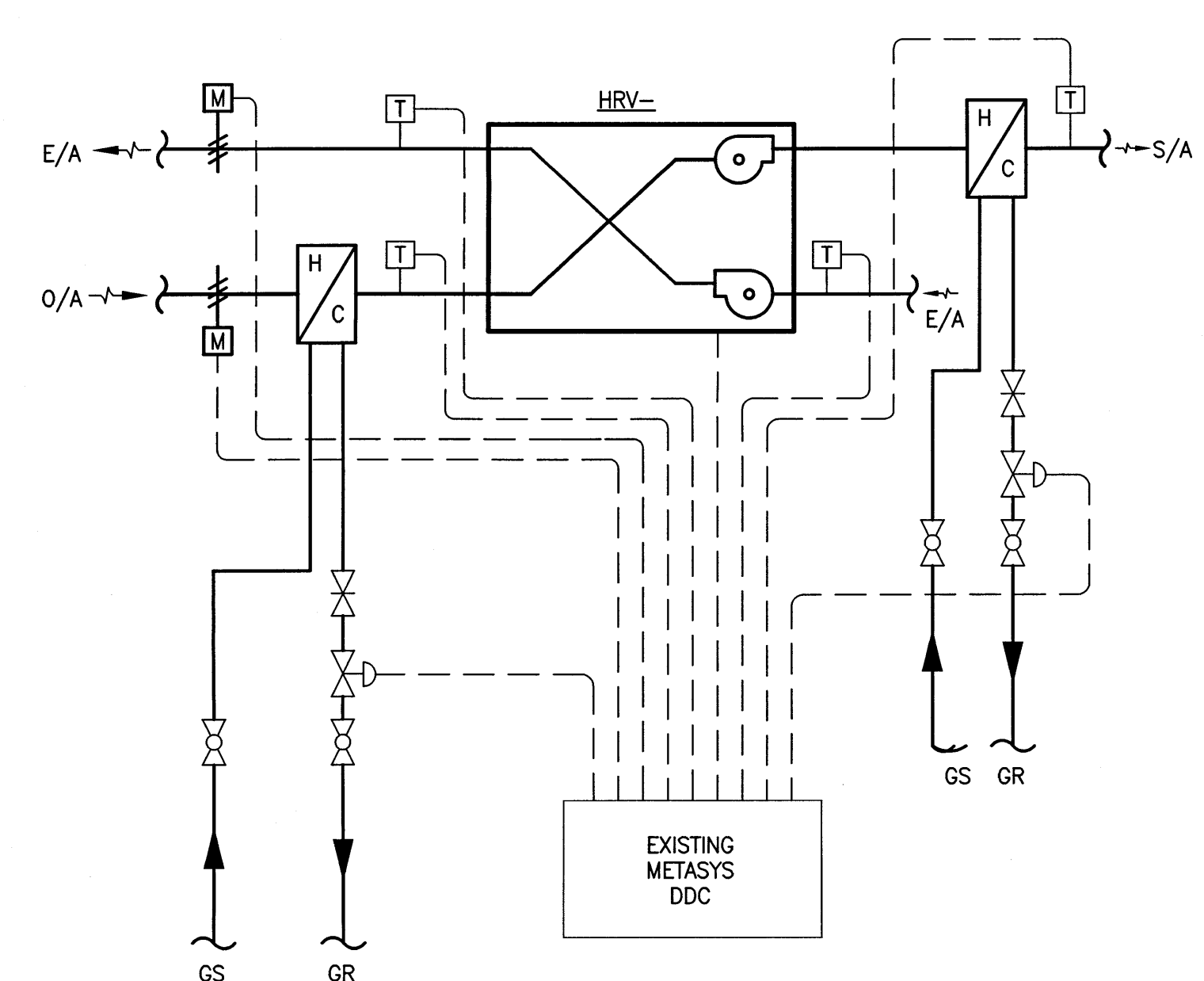
**1** SPLASH PAD DEHUMIDIFICATION UNIT CONTROL SCHEMATIC  
SCALE: N.T.S.



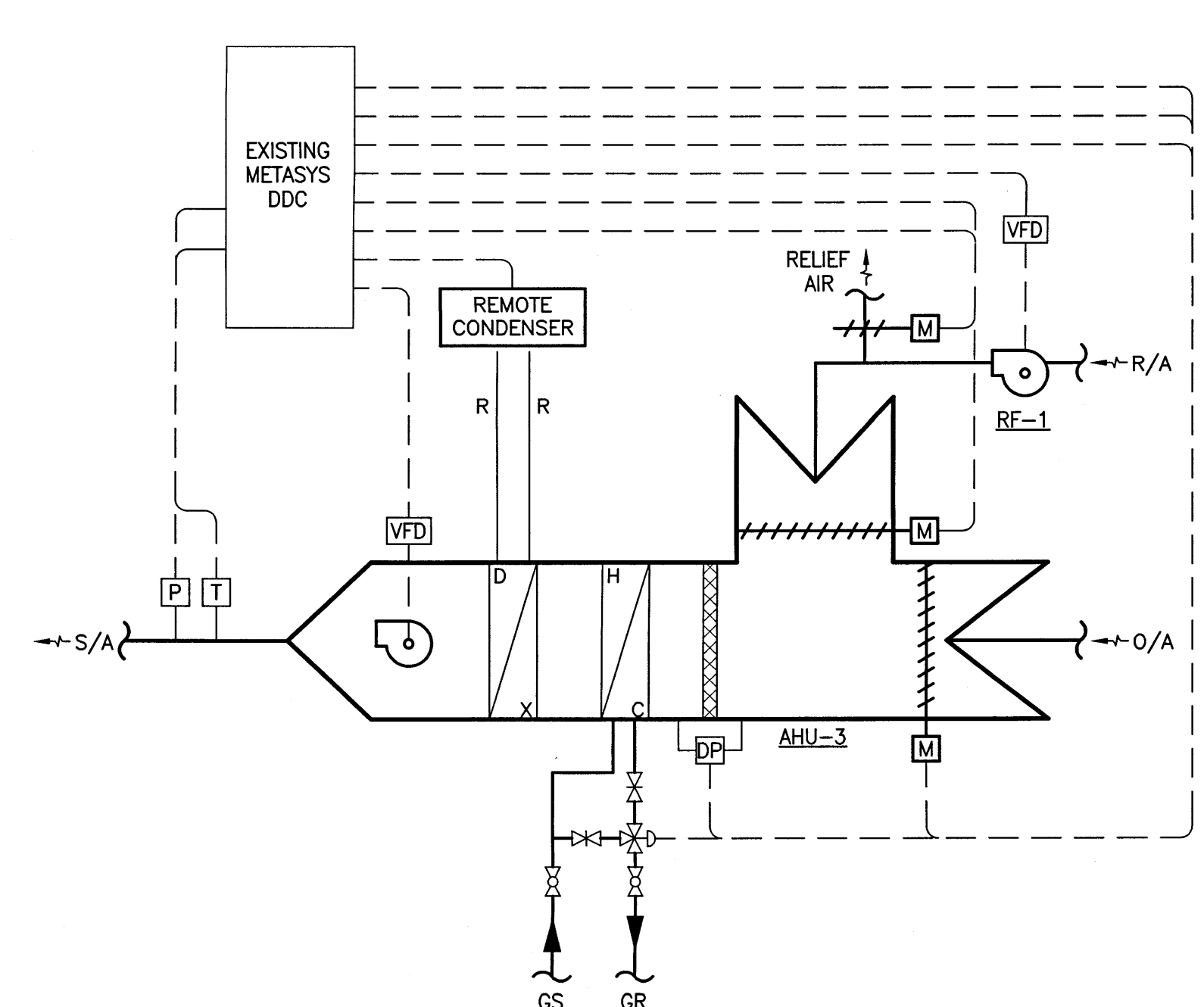
**6** HRV-3 CONTROL SCHEMATIC  
SCALE: N.T.S.



**5** VAV AND RHC CONTROL SCHEMATIC  
SCALE: N.T.S.



**4** HRV-1, HRV-2 CONTROL SCHEMATIC  
SCALE: N.T.S.



- NOTES:
1. DAMPER ACTUATORS SUPPLIED AND INSTALLED BY CONTROLS CONTRACTOR.

**3** AHU-3 CONTROL SCHEMATIC  
SCALE: N.T.S.

File Name: P:\Projects\2014\14-1736-008\Draw\Mech\14-1736-008\_M6-03.dwg - Tab: M6-03 Plotted By: dderache 16/12/07 [Wed 3:00pm]