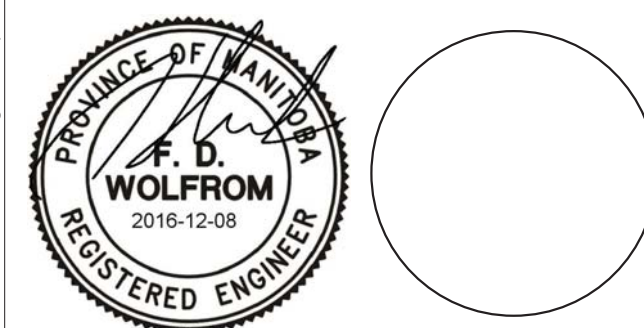


issue / rev.

0	2016.12.08	ISSUED FOR CONSTRUCTION
#	date	issued notes

professional seals



project information

SEVEN OAKS POOL
RENOVATION & ADDITION

444 ADSUM DRIVE
WINNIPEG, MB
CANADA

client

CITY OF WINNIPEG
4TH FLOOR - 85 KING ST.
WINNIPEG, MB

drawing information

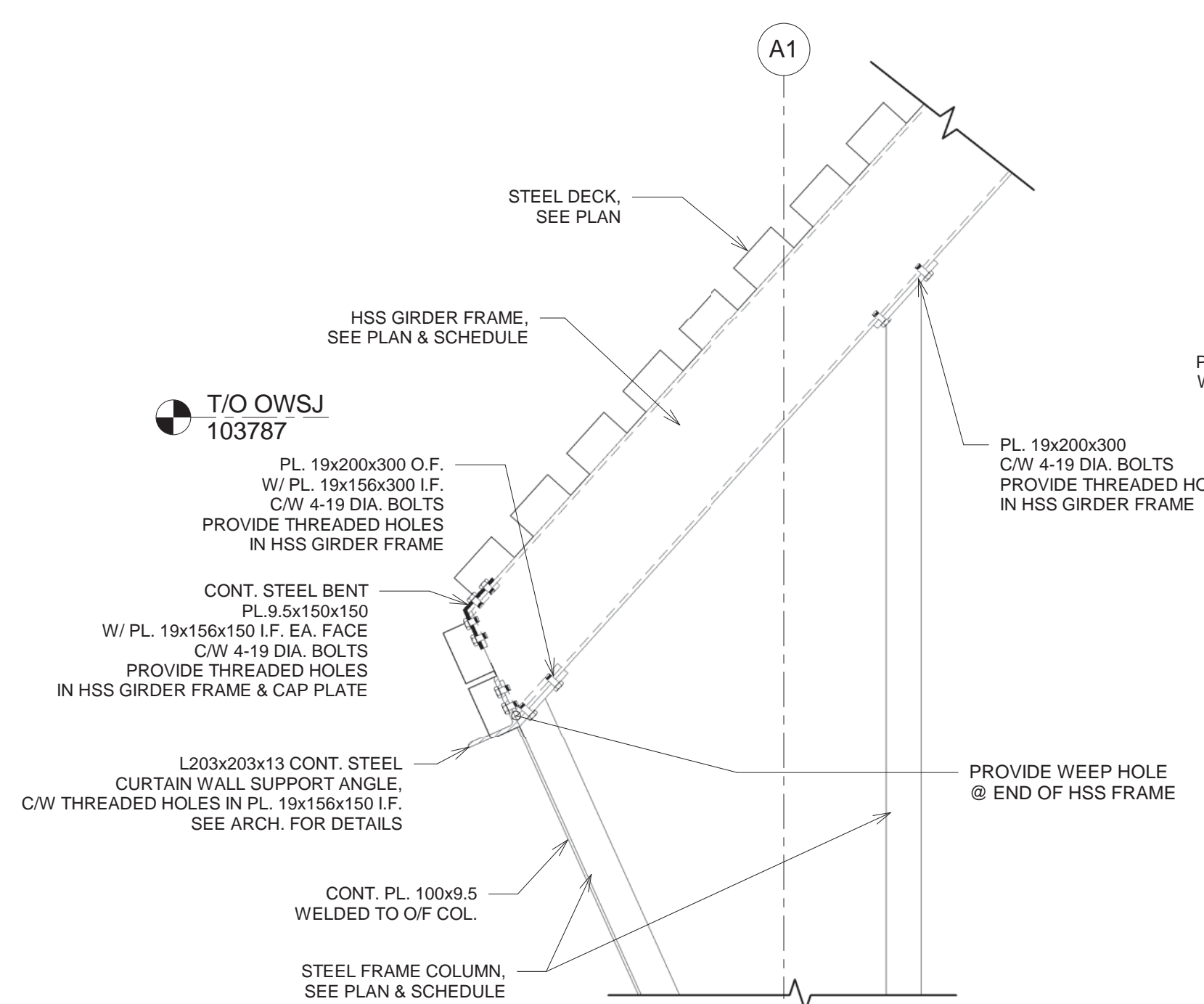
Sections & Details

drawn by: M.B. / AVP
approved by: FDW

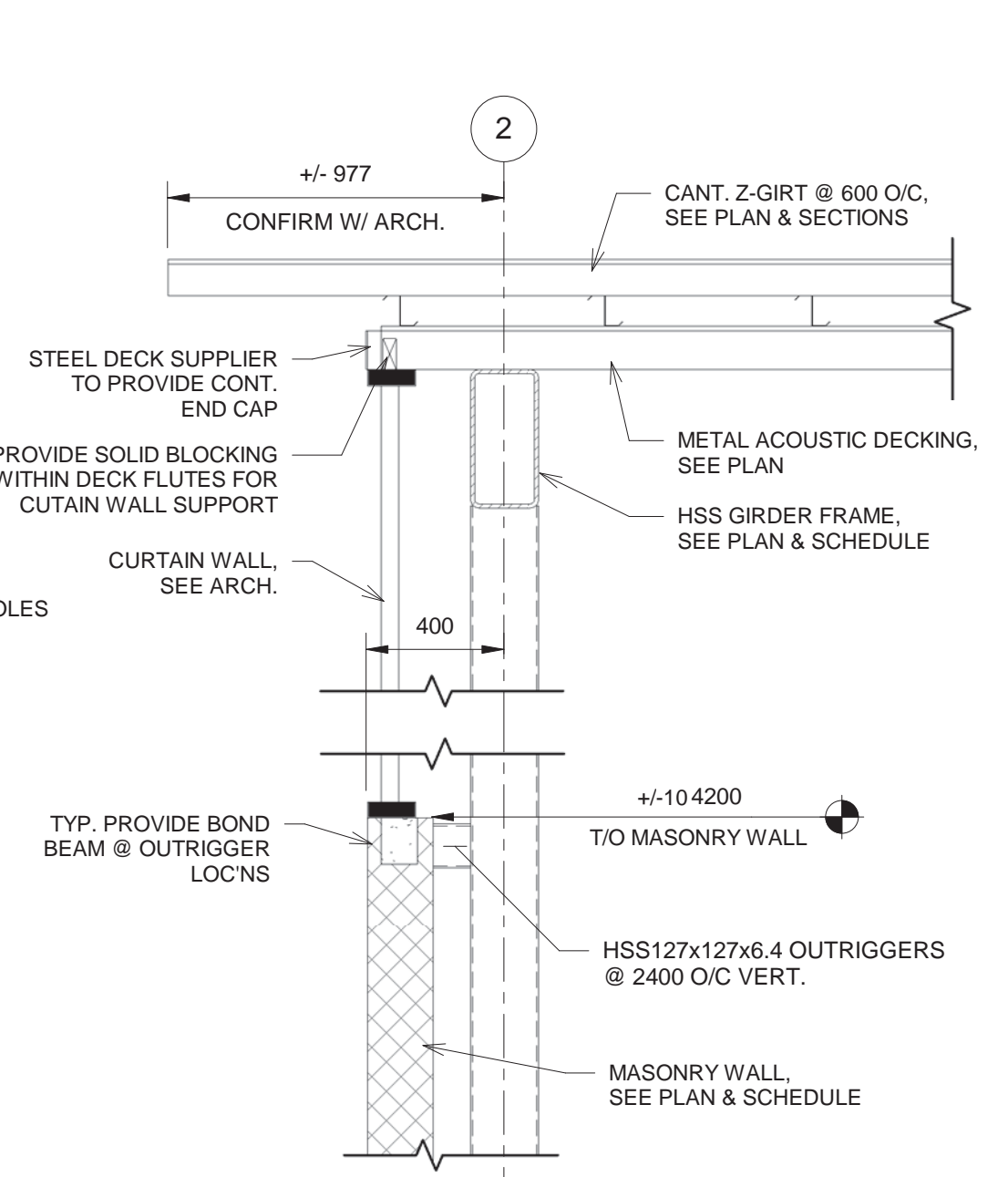
scale: As indicated
date issued: 2016.12.08
proj. #: W14432
rev. #: 0

S-09

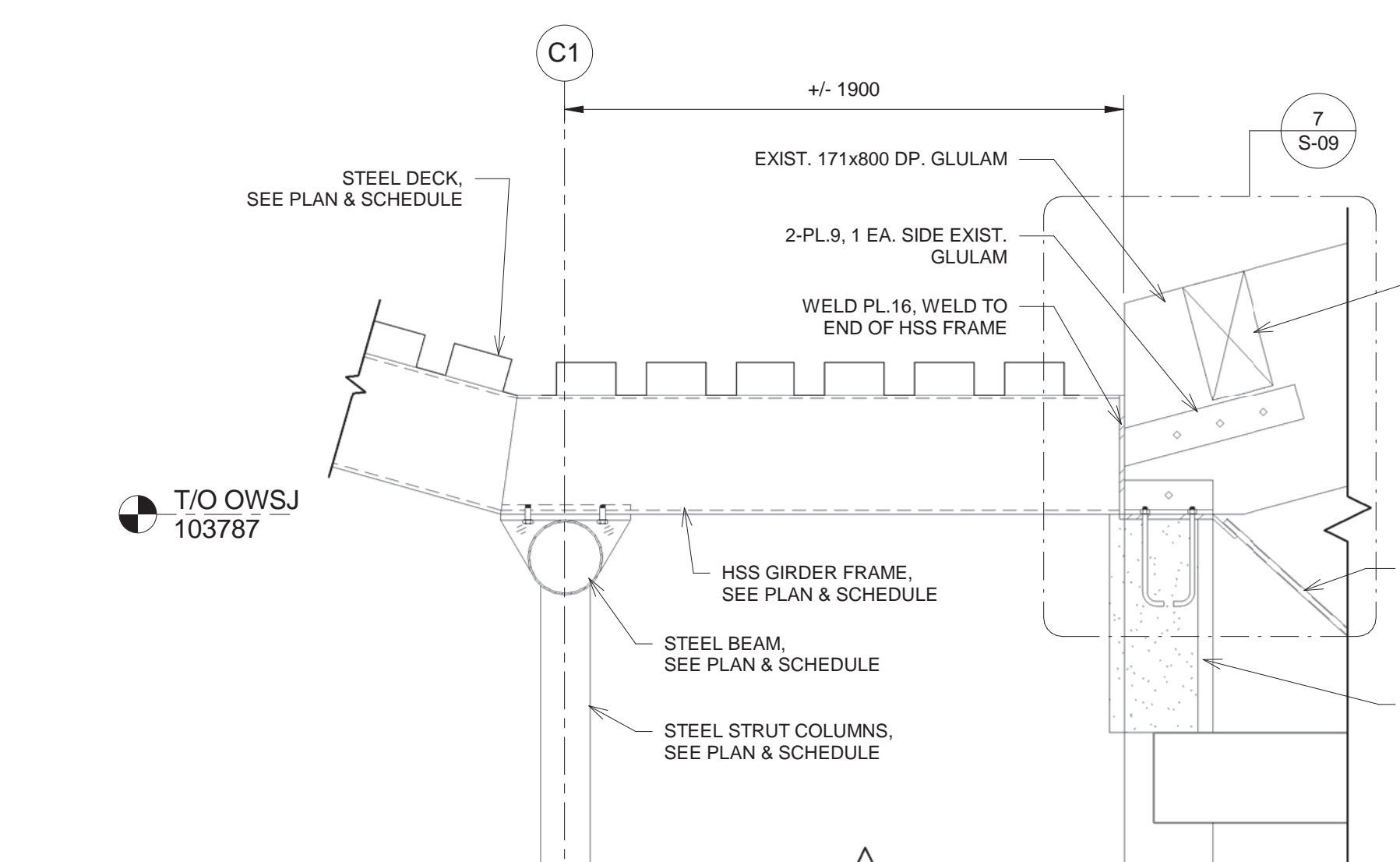
This drawing must not be scaled. The contractor shall verify all dimensions and other data on site prior to commencement of work. All discrepancies, errors, and omissions are to be reported to the architect. Drawings and specifications, as instruments of service, are the property of the architect, and when made, must bear his name. All prints to be returned to the architect on request.



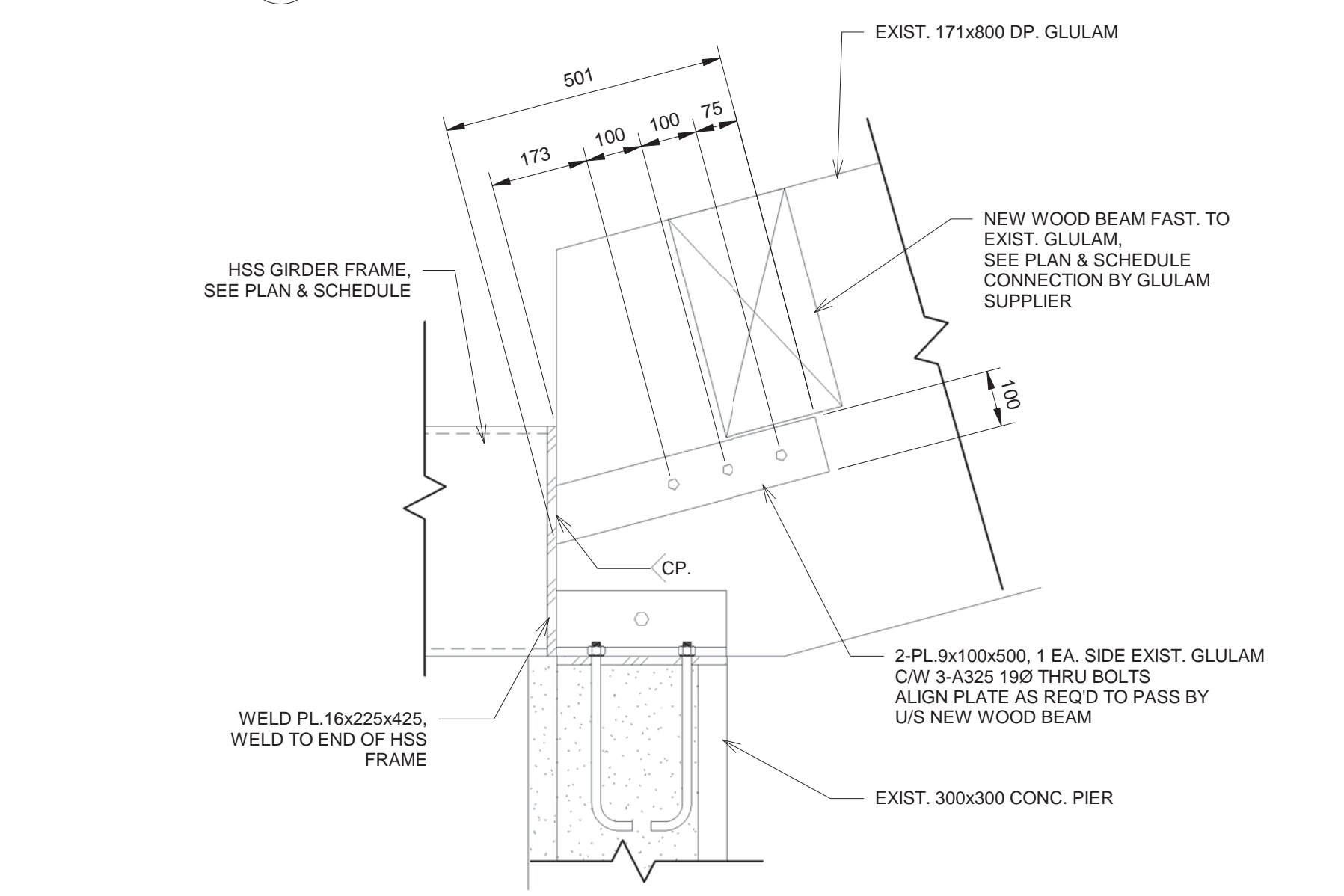
1 Section
S-09 1:20



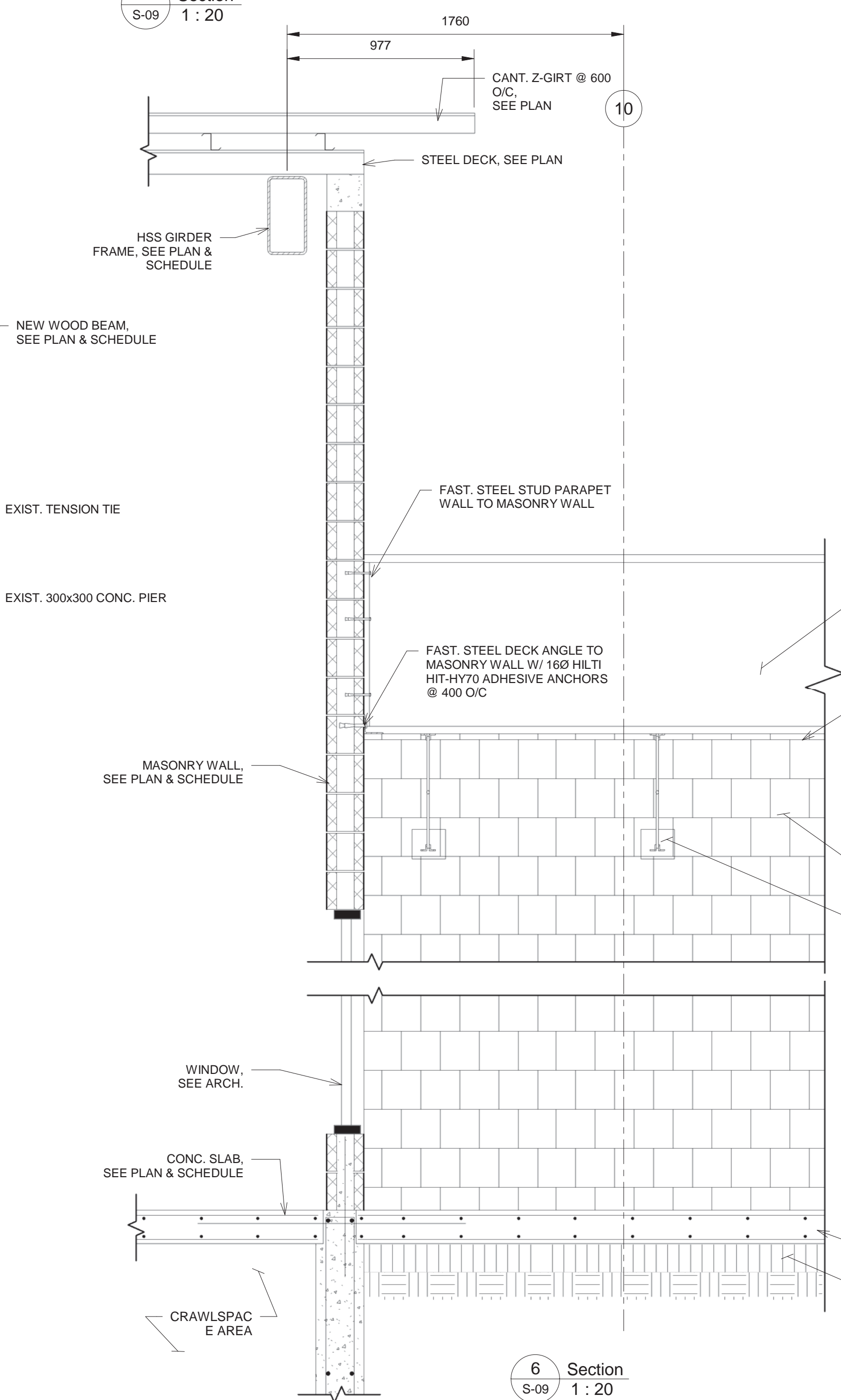
2 Section
S-09 1:20



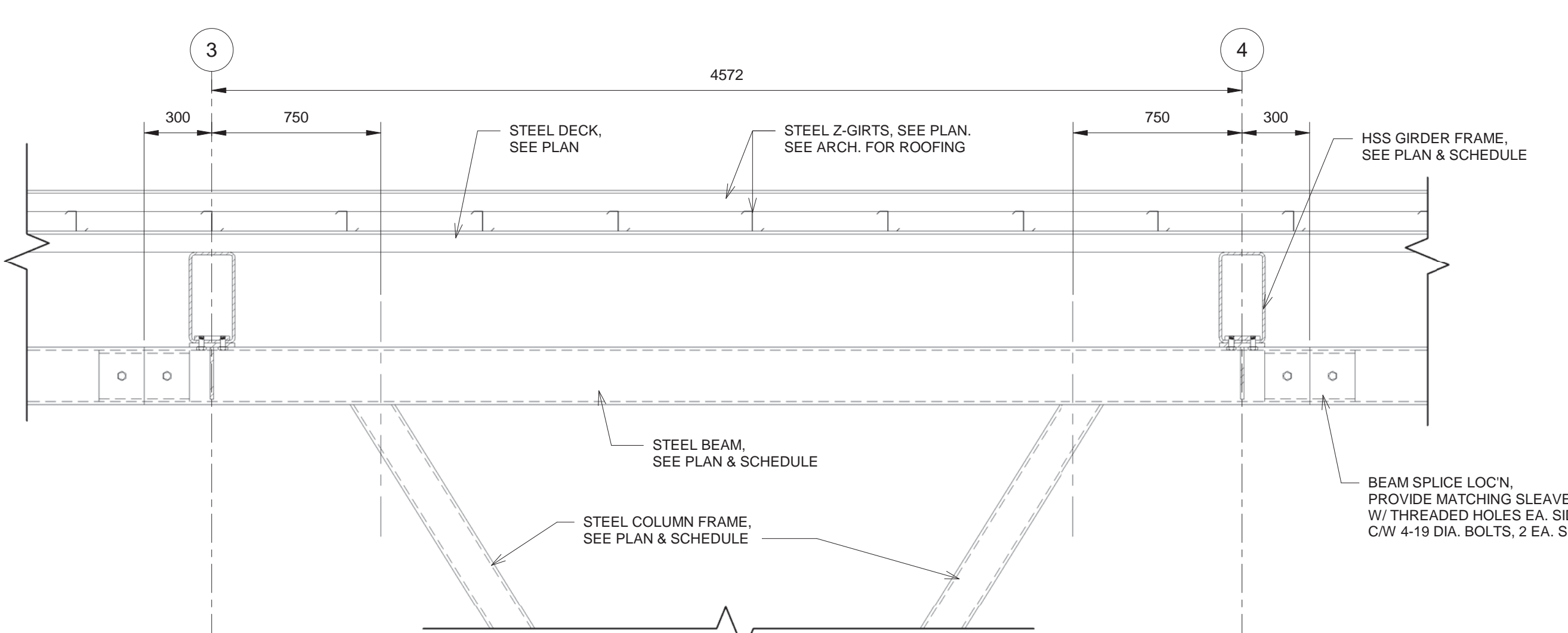
4 Section
S-09 1:20



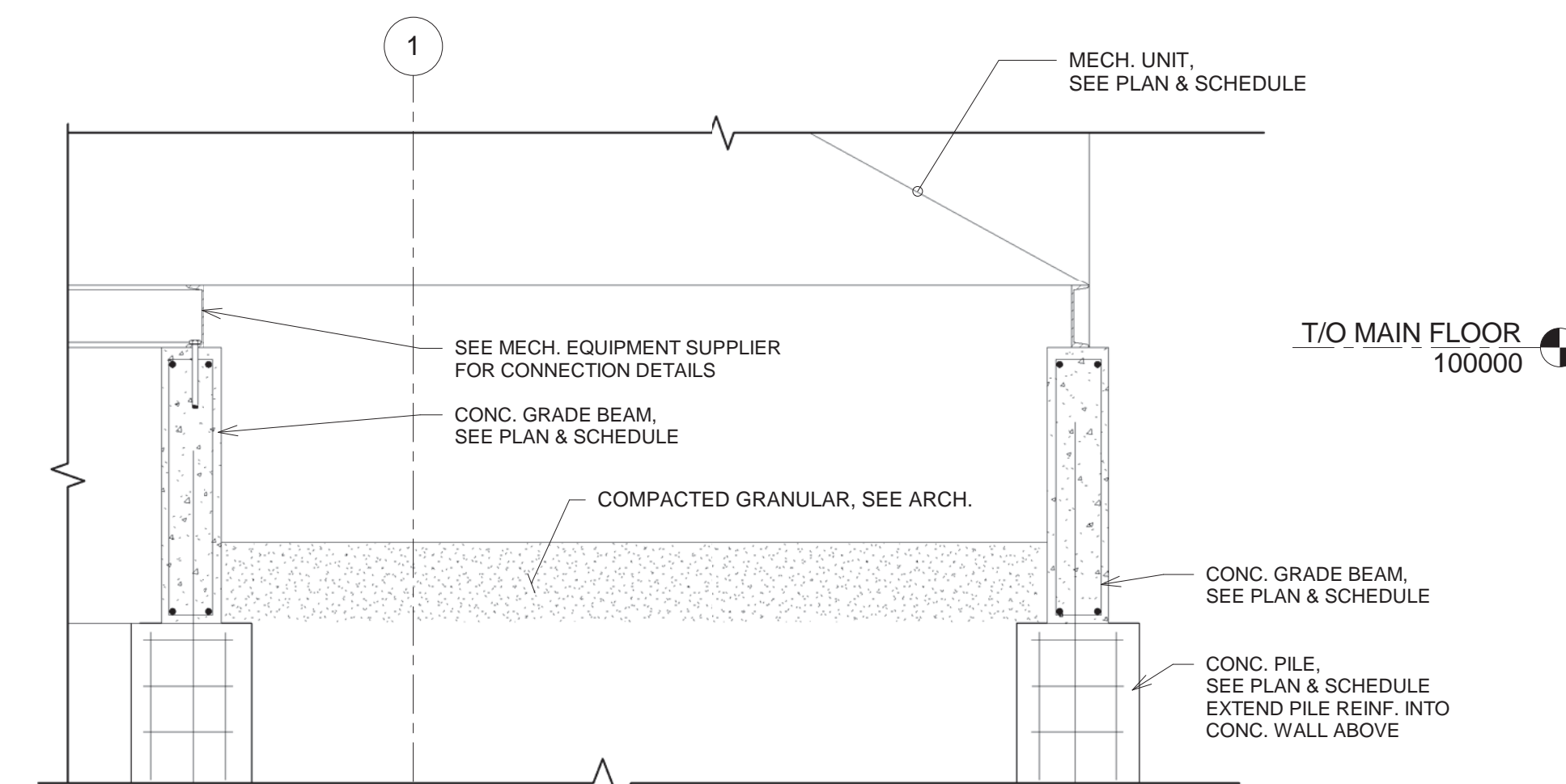
7 Detail
S-09 1:10



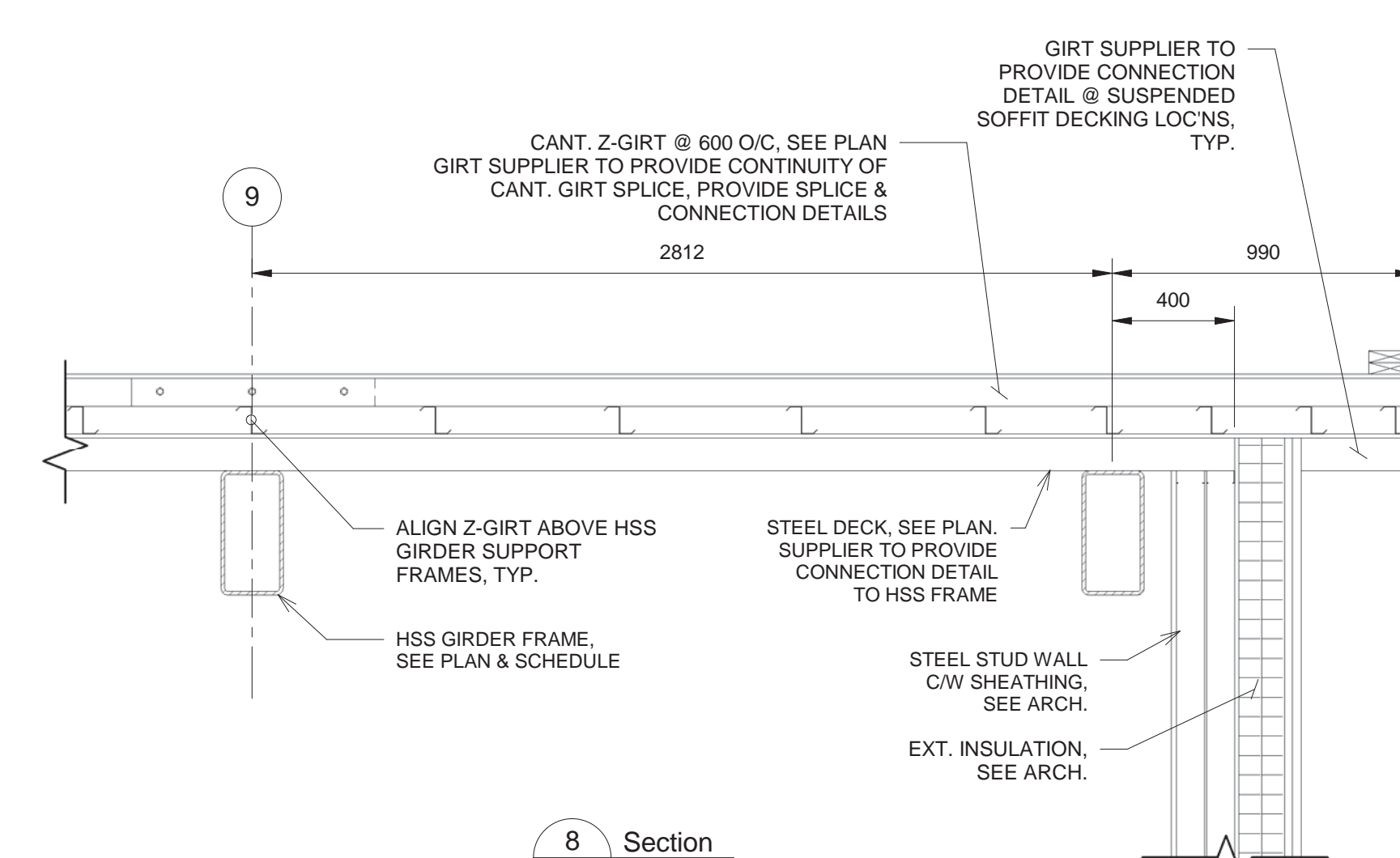
6 Section
S-09 1:20



3 Section
S-09 1:20



5 Section
S-09 1:20



8 Section
S-09 1:20