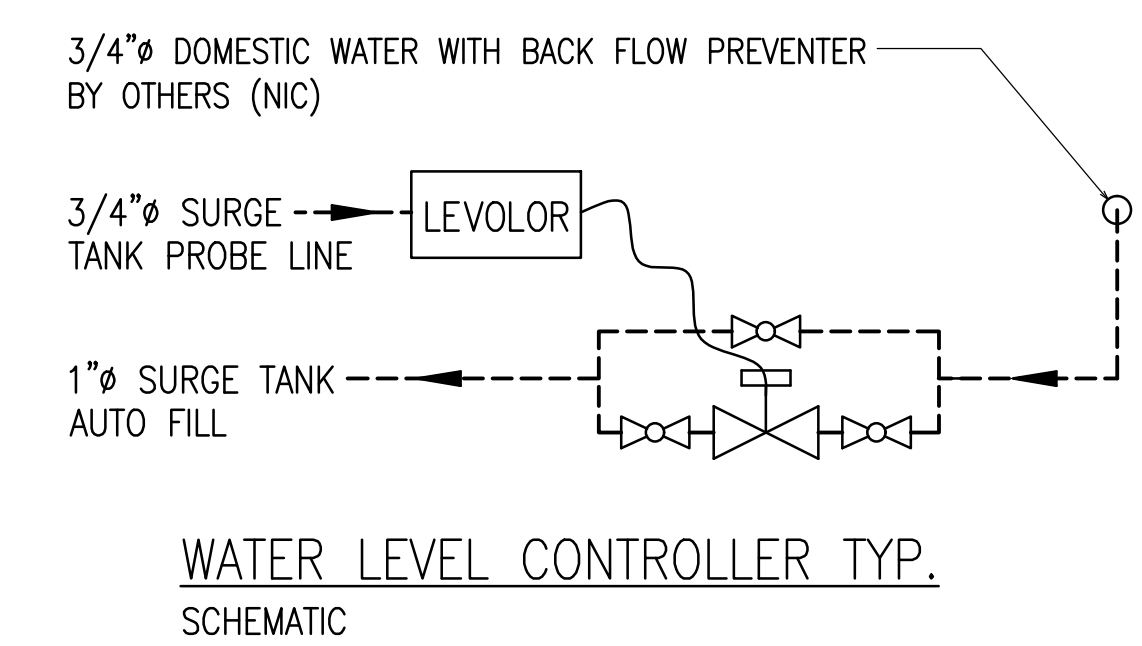


**CUSTOMIZED RIDEHOUSE 200 PLAY STRUCTURE**

- INCLUDING:
1. KIDZ TWISTER CLOSED FLUME SLIDE
  2. MINI-WHEEL DUMPING BUCKET
  3. STRUCTURE SPRAYS - VARIOUS, LOCATIONS TO BE DETERMINED
  4. PROBRELLA
  5. SPRAY LOOP TUNNEL
  6. TALL GROUND SHOOTERS X2

- LEGEND**
- BALL VALVE
  - BUTTERFLY VALVE
  - SOLENOID VALVE
  - PRESSURE GAUGE PG
  - VACUUM GAUGE VG
  - THERMOMETER
  - FLOW METER (2" HEATER, 4" RETURN)

**1** POOL & SPRAY PAD PIPING  
 SP-1 SCHEMATIC 1/4"=1'-0"



NO PLUMBING BAST THIS POINT.  
 NOTE: FOUNDATION INTERFERENCE FOR PIERCING

DRAIN PIT BY OTHERS FOR SURGE TANK DRAIN AND BACKWASH

2" SURGE TANK DRAIN PIPE TO WASTE W/ 6" FREE FALL AT POINT OF DISPOSAL

1" RESERVOIR AUTO FILL

2" RESERVOIR OVERFLOW PIPE TO STORM SUMP PIT

2" REFLECTION PIPE FOR WATER LEVEL CONTROLLER PROBES, EXTEND TO WITHIN 6" OF THE SURGE TANK FLOOR

2" SURGE TANK DRAIN PIPE TO WASTE W/ 6" FREE FALL AT POINT OF DISPOSAL

NOTE: RECOMMENDED (3) THREE FLOOR DRAINS (BY OTHERS)

0	ISSUED FOR CONSTRUCTION	2016.12.08
No.	REVISION	DATE

FIRM NAME AND ADDRESS

PROJECT NAME AND ADDRESS

**SEVEN OAKS POOL RENOVATION AND ADDITION**

WINNIPEG MANITOBA

DRAWING	SHEET
POOL & SPRAY PAD PIPING	SP-1
DATE	CHECKED BY
DECEMBER 08 /2016	B.D.
SCALE	DRAWN BY
AS SHOWN	A.C.