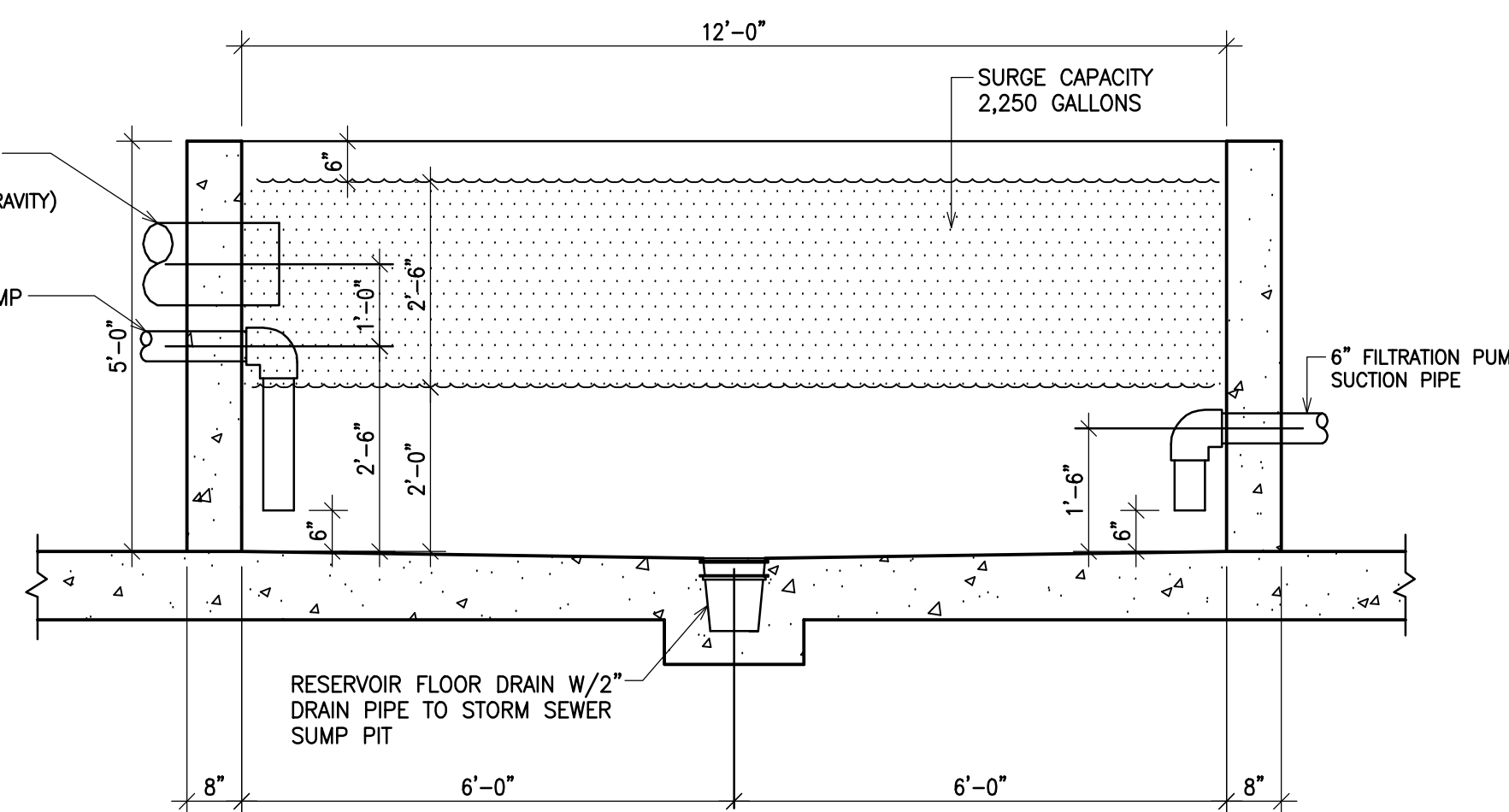


| DATA | | SPRAY PAD RESERVOIR |
|------------------------|-----------------|---------------------|
| DIMENSIONS: | 10'-0" x 12'-0" | |
| WATER DEPTH: | 4'-6" | |
| CAPACITY: | 4,050 GALLONS | |
| FLOW RATE: | 405 GPM | |
| VOLUME TURN OVER RATE: | 10 MINUTES | |



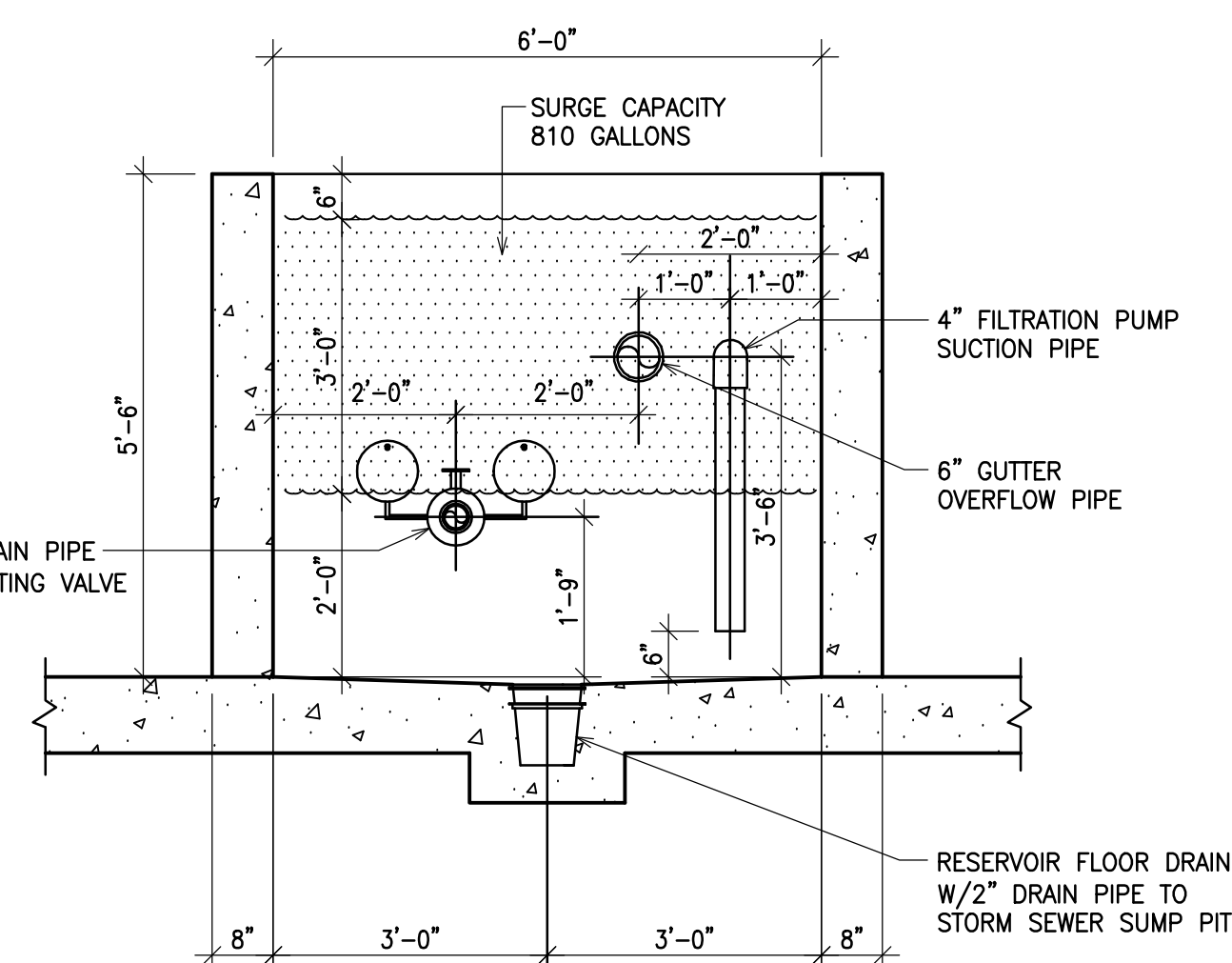
EQUIPMENT LIST - SPRAY PAD

| ITEM | TYPE | QTY. | DESCRIPTION |
|------|---|------|--|
| P1 | SPRAY PAD CIRC. PUMP W/ STRAINER LOCATION: MECH. ROOM | 1 | PENTAIR EQ 750, 7.5HP, 208V, 3 Phase, 400 USGPM @ 55ft. HD |
| P2 | FEATURE PUMP W/ STRAINER - SPRAYS ON STRUCTURE | 1 | PENTAIR EQ 750, 7.5HP, 208V, 3 Phase, 420 USGPM @ 50ft. HD |
| P3 | FEATURE PUMP W/ STRAINER - GROUND SPRAYS | 1 | PENTAIR EQ 500, 5.0HP, 208V, 3 Phase, 300 USGPM @ 50ft. HD |
| P4 | FEATURE PUMP W/ STRAINER - TWISTER SLIDE | 1 | PENTAIR EQ 500, 5.0HP, 208V, 3 Phase, 250 USGPM @ 65ft. HD |
| P5 | FEATURE PUMP W/ STRAINER - KMR SLIDE | 1 | PENTAIR MAX-E-PRO, 3.0HP, 208V, 3 Phase, 150 USGPM @ 55ft. HD |
| F1 | SPRAY PAD FILTER | 4 | PENTAIR, HIGH RATE SAND FILTER, MODEL: TR 140, FILTRATION RATE: 14.28 GPM/SQ.FT. |
| CAT1 | SPRAY PAD CHEMICAL CONTROLLER | 1 | HAYWARD CAT 2000, 110V 15 AMP PLUG |
| C1 | SPRAY PAD CHLORINE CHEMICAL FEED PUMP | 1 | BLUE-WHITE, FLEXFLOW CHEMICAL FEED PUMP, 110V, 8 GPD CHLORINE, MODEL: A1N 20C-4T |
| C2 | SPRAY PAD ACID CHEMICAL FEED PUMP | 1 | BLUE-WHITE, FLEXFLOW CHEMICAL FEED PUMP, 110V, 8 GPD ACID, MODEL: A1N 20C-4T |
| CH1 | SPRAY PAD CHLORINE TANK | 1 | 25 GALLONS ACID TANK |
| PH1 | SPRAY PAD ACID TANK | 1 | 25 GALLONS ACID TANK |
| L1 | SPRAY PAD AUTO WATER LEVEL CONTROLLER | 1 | LEVELOR K1100, 115V/ 1 AMP PLUG |
| WT1 | SPRAY PAD WATER RESERVOIR | 1 | 10' X 12' X 4'-6" HIGH CONCRETE WATER RESERVOIR, CAPACITY: 4,050 US GALLONS |
| UV1 | UV DESINFECTATION SYSTEM | 1 | HANOVA UV -1 |

1 SPRAY PAD RESERVOIR CROSS SECTION
SP-2 1/2"=1'-0"

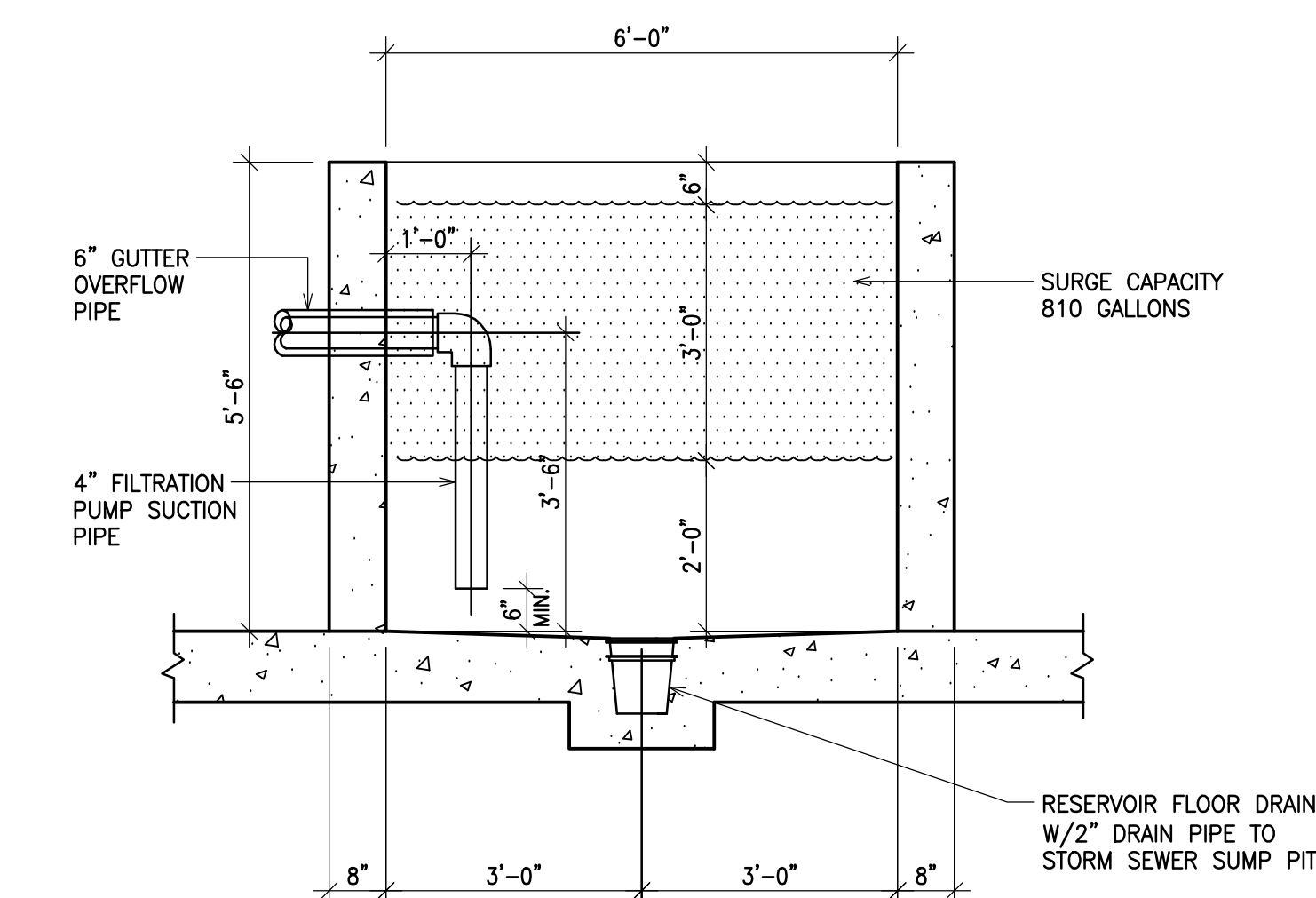
2 SPRAY PAD RESERVOIR LONGITUDINAL SECTION
SP-2 1/2"=1'-0"

NOTE:
FOR PIPING TO BE DIRECTLY CAST INTO CONCRETE, INSTALL RIGID-TYPE WATER STOP FITTINGS/COUPLINGS AT ALL TANK PENETRATIONS FOR BOTH THE SWIMMING POOL AND SPLASH PAD RESERVOIRS



| DATA | | POOL RESERVOIR |
|-------------------------|---------------|----------------|
| DIMENSIONS: | 6'-0" x 6'-0" | |
| WATER DEPTH: | 2'-6" | |
| CAPACITY: | 1,350 GALLONS | |
| MINIMUM SURGE CAPACITY: | 810 GALLONS | |

| DATA | | POOL |
|---------------------|--------------------|------|
| SHAPE: | RECTANGLE | |
| DIMENSIONS: | 21'-6" X 28'-0" | |
| PERIMETER: | 99' | |
| WATER SURFACE AREA: | 601 Sq.Ft. | |
| BATHER LOAD: | -- | |
| WATER VOLUME: | 10,500 GAL. | |
| WATER DEPTH: | 2'-6" | |
| TURN OVER RATE: | 60 MIN @ 175 USGPM | |
| FILTER RATE: | 12.42 GPM /SQ.FT. | |



EQUIPMENT LIST - POOL

| ITEM | TYPE | QTY. | DESCRIPTION |
|------|--|------|--|
| P6 | POOL CIRC. PUMP W/ STRAINER LOCATION: MECH. ROOM | 1 | PENTAIR MAX-E-PROXF, 3.0HP, 208V, 3 Phase, 175 USGPM @ 45ft. HD |
| F2 | POOL FILTER | 2 | PENTAIR, HIGH RATE SAND FILTER, MODEL: TR 140, FILTRATION RATE: 12.42 GPM/SQ.FT. |
| CAT2 | POOL CHEMICAL CONTROLLER | 1 | HAYWARD CAT 2000, 110V 15 AMP PLUG |
| C3 | POOL CHLORINE CHEMICAL FEED PUMP | 1 | BLUE-WHITE, FLEXFLOW CHEMICAL FEED PUMP, 110V, 8 GPD CHLORINE, MODEL: A1N 20C-4T |
| C4 | POOL ACID CHEMICAL FEED PUMP | 1 | BLUE-WHITE, FLEXFLOW CHEMICAL FEED PUMP, 110V, 8 GPD ACID, MODEL: A1N 20C-4T |
| CH2 | POOL CHLORINE TANK | 1 | 25 GALLONS ACID TANK |
| PH2 | POOL ACID TANK | 1 | 25 GALLONS ACID TANK |
| L2 | POOL AUTO WATER LEVEL CONTROLLER | 1 | LEVELOR K1100, 115V/ 1 AMP PLUG |
| WT2 | POOL WATER RESERVOIR | 1 | 84" X 126", 42" HIGH WATER / SURGE TANK, CAPACITY: 1,325 US GALLONS |
| UV2 | UV DESINFECTATION SYSTEM | 1 | HANOVA UV -1 |

3 POOL RESERVOIR SECTION
SP-2 1/2"=1'-0"

4 POOL RESERVOIR SECTION
SP-2 1/2"=1'-0"

| | | |
|-----|-------------------------|------------|
| 0 | ISSUED FOR CONSTRUCTION | 2016.12.08 |
| No. | REVISION | DATE |

FIRM NAME AND ADDRESS

PROJECT NAME AND ADDRESS
SEVEN OAKS POOL RENOVATION AND ADDITION
WINNIPEG MANITOBA

| | |
|--------------------------------------|--------------------|
| DRAWING RESERVOIR SECTIONS & DATA | SHEET SP-2 |
| DATE DECEMBER 08 /2016 | CHECKED BY B.D. |
| SCALE AS SHOWN | DRAWN BY A.C. |