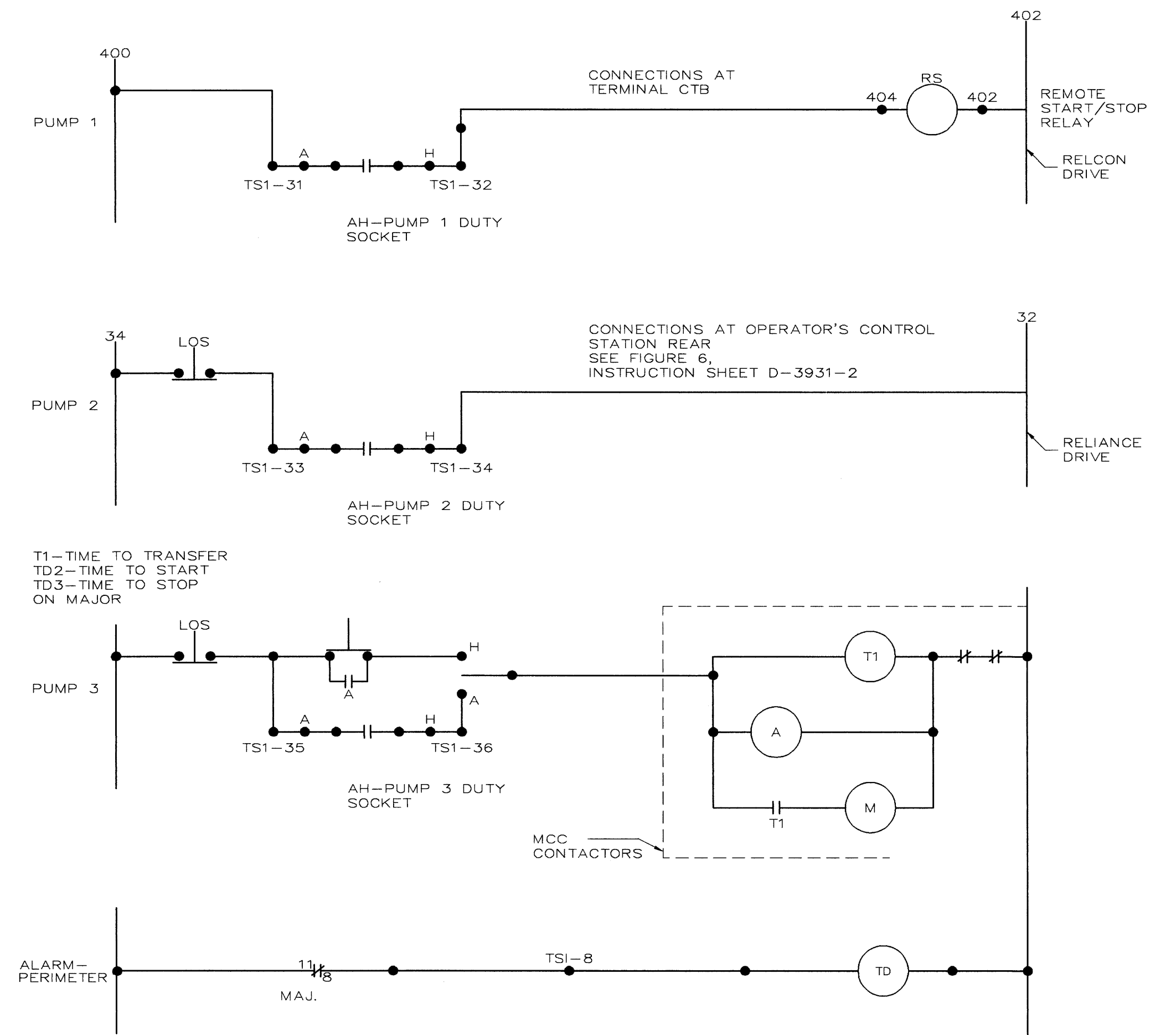
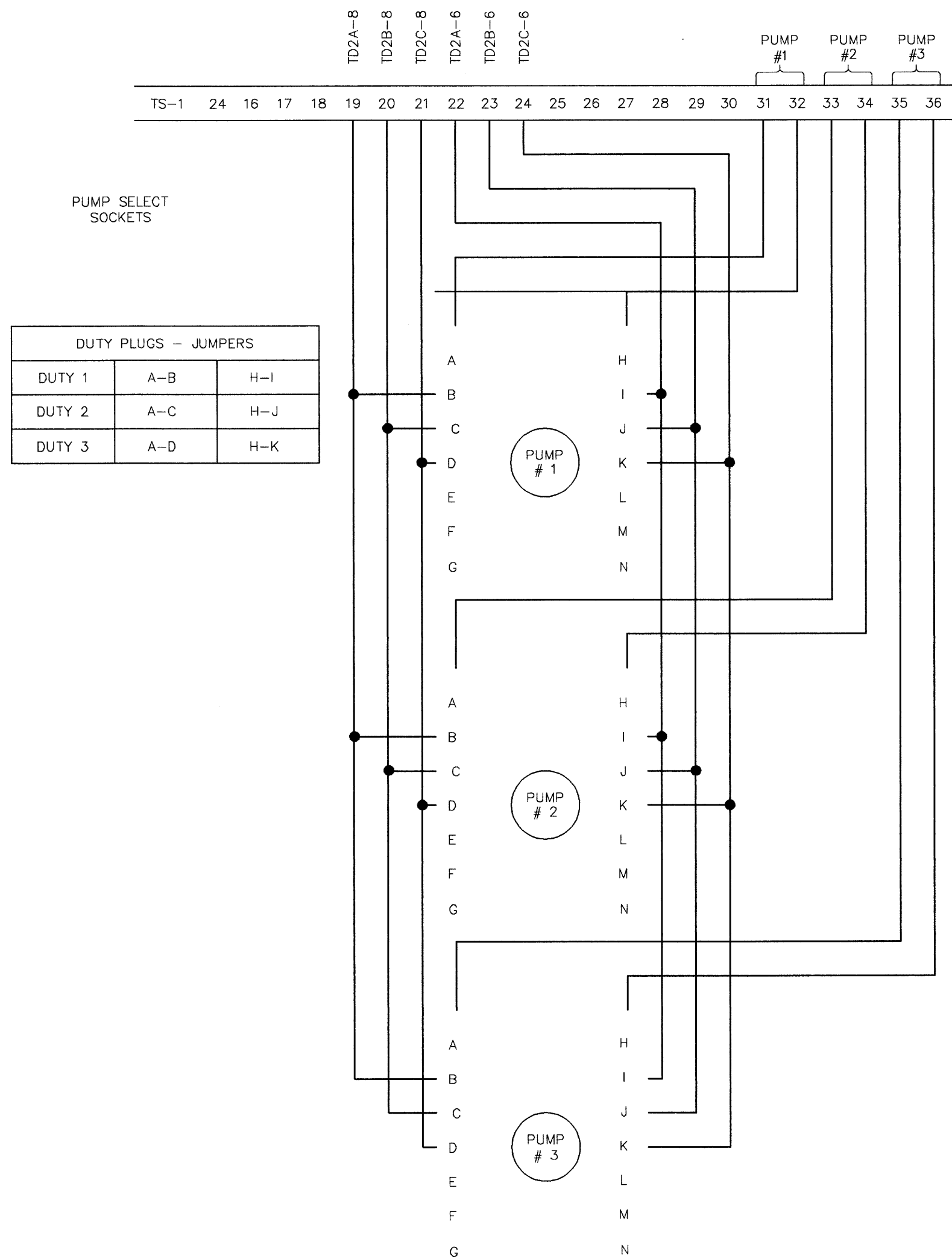


COMMUNITY LIFT STATION



- LTX CALIBRATION
- PUMP DUTY CALIBRATION

Tx CALIBRATED: 0 - 120"wc = 4 - 20mA
ZERO SUPPRESSION 18"wc

DUTIES:	OFF	ON
DUTY-1	1.0 FT.	6.0 FT.
DUTY-2	6.0 FT.	8.0 FT.
DUTY-3	6.5 FT.	9.5 FT.

NOTES: - CHANNEL "A" = OFF = STOP
- CHANNEL "B" = ON = START
- TD2A, 2B, 2C = TD PUMP START
- TD3A, 3B, 3C = TD PUMP STOP
(ON MAJOR AT PERIMETER LIFT STN.)

B.M. ELEV.	DESIGNED BY B.R.		ENGINEER'S SEAL	THE CITY OF WINNIPEG WATER AND WASTE DEPARTMENT	SHEET OF
	DRAWN BY S.G.				
2 REVISED 99.05.03 GMZ	HOR. SCALE N.T.S.		APPROVED BY	COMMUNITY ROW LIFT STATION PUMP SEQUENCER & WIRING	1211
1 REVISED 95.12.15 SG	VERTICAL		RELEASED FOR CONSTRUCTION		
NO. REVISIONS	DATE	BY	DATE FEBRUARY 1987	PLOT DATE 1995-12-06	

1211