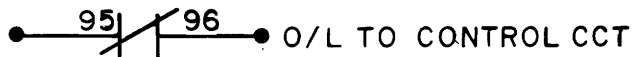
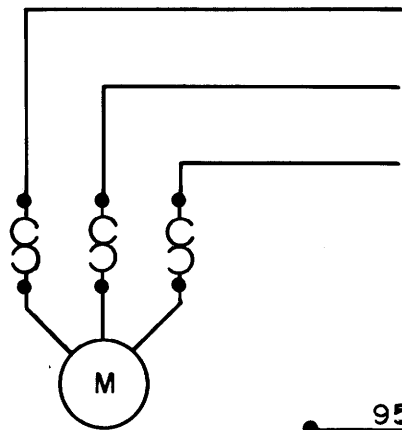
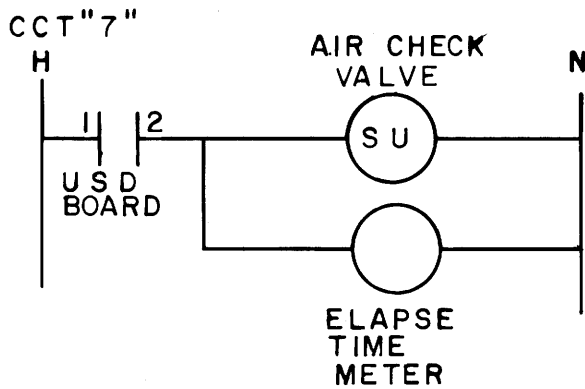


LINE TO VARIABLE SPEED
DRIVE LOAD



AUX. CONTROL



COMMUNITY ROW LIFT STATION
PUMP 2 WIRING

L-S-3G

FILE# MS 12441