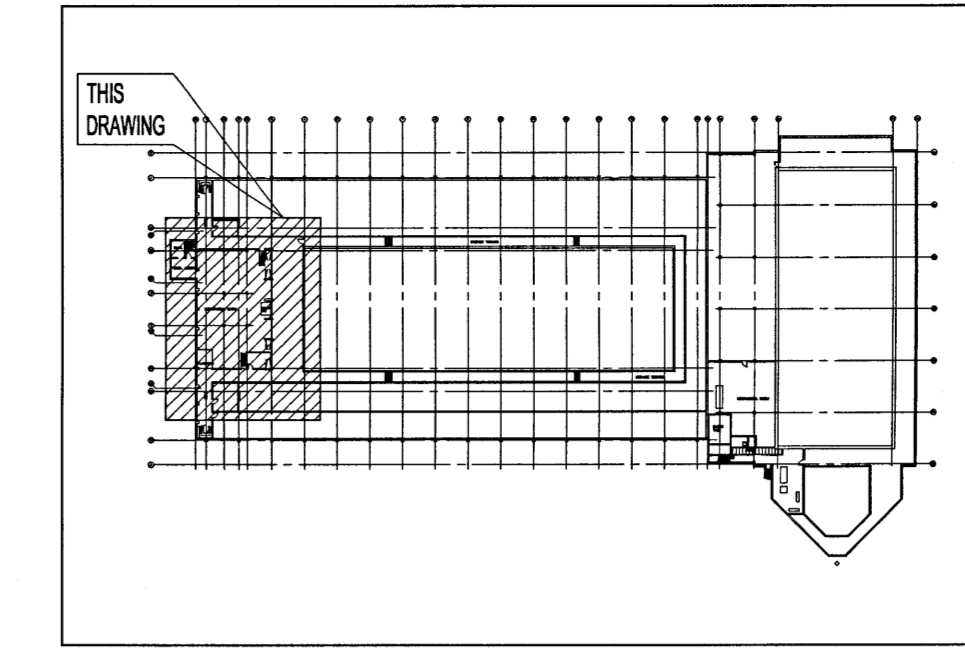


BOILER ROOM PLAN - FIRE RATING
SCALE 1:75



KEY PLAN
SCALE: N.T.S.

GENERAL NOTES:

- PERFORM WORK IN ACCORDANCE WITH ALL APPLICABLE CODES AND REGULATIONS.
- EQUIPMENT LOCATIONS, DUCT, AND PIPE ROUTING INDICATED ON THE DRAWINGS IS APPROXIMATE ONLY. CONFIRM IN THE FIELD. REROUTE DUCTWORK AND PIPING AS REQUIRED TO ELIMINATE FIELD INTERFERENCES. WITH BUILDING STRUCTURES, ELECTRICAL, ETC. CONFIRM CHANGES WITH CONTRACT ADMINISTRATOR. COORDINATE WORK WITH ALL SUBTRADES. WHERE DIMENSIONS ARE INDICATED FOR PIPING, DUCTWORK, DUCT SIZES, EQUIPMENT SIZES, ETC. THESE ARE FOR BIDDING PURPOSES ONLY. THE CONTRACTOR IS RESPONSIBLE TO VERIFY ALL DIMENSIONS IN THE FIELD PRIOR TO ORDERING EQUIPMENT AND COMMENCING INSTALLATION WITHOUT EXTRA CHARGES TO THE PROJECT. THE CONTRACTOR IS RESPONSIBLE TO ENSURE ALL EQUIPMENT, DUCTWORK, AND PIPING FITS IN THE SPACE AVAILABLE AND TO MAINTAIN THE GENERAL DESIGN INTENT FOR THE SYSTEMS.
- ALL REMOVED MATERIAL SHALL BE DISPOSED OF OFF SITE.
- INFILL ALL PENETRATIONS AFTER REMOVAL OF PIPING, DUCTWORK, ETC. AND FINISH TO MATCH EXISTING.
- THIS DRAWING DOES NOT SHOW ALL EXISTING PENETRATIONS. THE CONTRACTOR SHALL VISIT THE SITE AND OBTAIN A COUNT OF ALL PENETRATIONS PRIOR TO BIDDING.
- PROVIDE SHOP DRAWING OF FIRE DAMPERS AND ALL FIRE STOP FOR REVIEW AND APPROVAL.

KEYNOTES:

- PROVIDE NEW FIRE DAMPERS ON EXISTING DUCTWORK. MODIFY DUCTWORK AS REQUIRED TO INSTALL FIRE DAMPERS. CONFIRM DUCT SIZES IN FIELD. (TYP)
- FIRE SEAL ALL EXISTING SHAFT WALL PENETRATIONS USING ULC LISTED FIRE STOP METHOD PER NOTES 2 AND 3 ABOVE.

LEGEND:

- NEW EQUIPMENT / DUCTWORK / PIPING
- EXISTING EQUIPMENT / DUCTWORK / PIPING
- 1.5 HR FIRE DAMPER (TYPE B OR C) / CW ACCESS DOOR
- NEW FIRE SEAL, TOP AND BOTTOM OF SHAFT (SEE STRUCTURAL)
- 2 HR FIRE RATING

NOTES:

THESE DRAWINGS SHALL NOT BE SCALED.

THE CONTRACTOR SHALL VISIT THE SITE AND SATISFY ONESELF ALL DIMENSIONS, DATUM, AND DETAILED INFORMATION SHOWN ARE CORRECT.

THE CONTRACTOR IS TO REVIEW AND COORDINATE ALL ARCHITECTURAL, MECHANICAL, ELECTRICAL AND STRUCTURAL DRAWINGS FOR ADDITIONAL OPENINGS THROUGH FLOORS, WALLS, AND CEILINGS FOR DUCT, PIPE & ELECTRICAL RISERS AND ALL OPENINGS NOT SHOWN ON DRAWINGS.

ALL OPENINGS THROUGH THE FIRE SEPARATIONS AS A RESULT OF THE WORK OF THIS CONTRACT ARE TO BE FIRE STOPPED AND SEALED WITH ULC APPROVED FIRE STOPPING TO MAINTAIN THE INTEGRITY OF THE FIRE SEPARATION, AND PROVIDE AND SMOKE-TIGHT BARRIER.

ALL PRODUCTS AND MATERIALS TO BE USED AND INSTALLED SHALL CONFORM WITH MANUFACTURER'S SPECIFICATIONS & APPLICABLE CODES.

THE CONTRACTOR SHALL BE RESPONSIBLE TO PATCH AND MAKE GOOD ALL EXISTING CONSTRUCTION AFFECTED BY THE REMOVAL OF ALL ITEMS FORMING THE PART OF THE RENOVATION WORK.

WHERE NEW FLOORING AND BASE IS TO BE INSTALLED IN EXISTING AREAS (REFER TO FLOOR PLAN AND ROOM SCHEDULE) THE EXISTING FLOORING SURFACE AND BASE MUST BE REMOVED, UNLESS OTHERWISE NOTED. ALL FLOOR SURFACES SHALL BE PREPARED IN ACCORDANCE TO MANUFACTURER'S RECOMMENDATIONS FOR INSTALLATION OF NEW FLOOR.

WHERE PAINTING OF EXISTING WALLS IS INDICATED ON THE ROOM SCHEDULE, THESE WALLS MUST BE CLEANED OF ANY EXISTING WALL COVERING, PATCHED & PREPARED TO ACCEPT NEW MATERIAL, UNLESS OTHERWISE NOTED.

No.	REVISION/DESCRIPTION	BY	DATE
0	ISSUED FOR TENDER		16.11.28



DATE	USER	APPROVAL

THE CITY OF WINNIPEG
PLANNING, PROPERTY AND
DEVELOPMENT DEPARTMENT
MUNICIPAL ACCOMMODATIONS DIVISION
3-65 GARRY STREET, R3C 4K4

PROJECT
REPLACEMENT OF
DOMESTIC HOT WATER
SYSTEM AT PAN AM POOL
25 POSEIDON BAY

SHEET TITLE
MECHANICAL
MAIN FLOOR PLAN
FIRE RATING

SCALE	PROJECT No:	SHEET No:
AS SHOWN	16-0107-026	M04



SCALE VERIFIED BY: *MAP*

