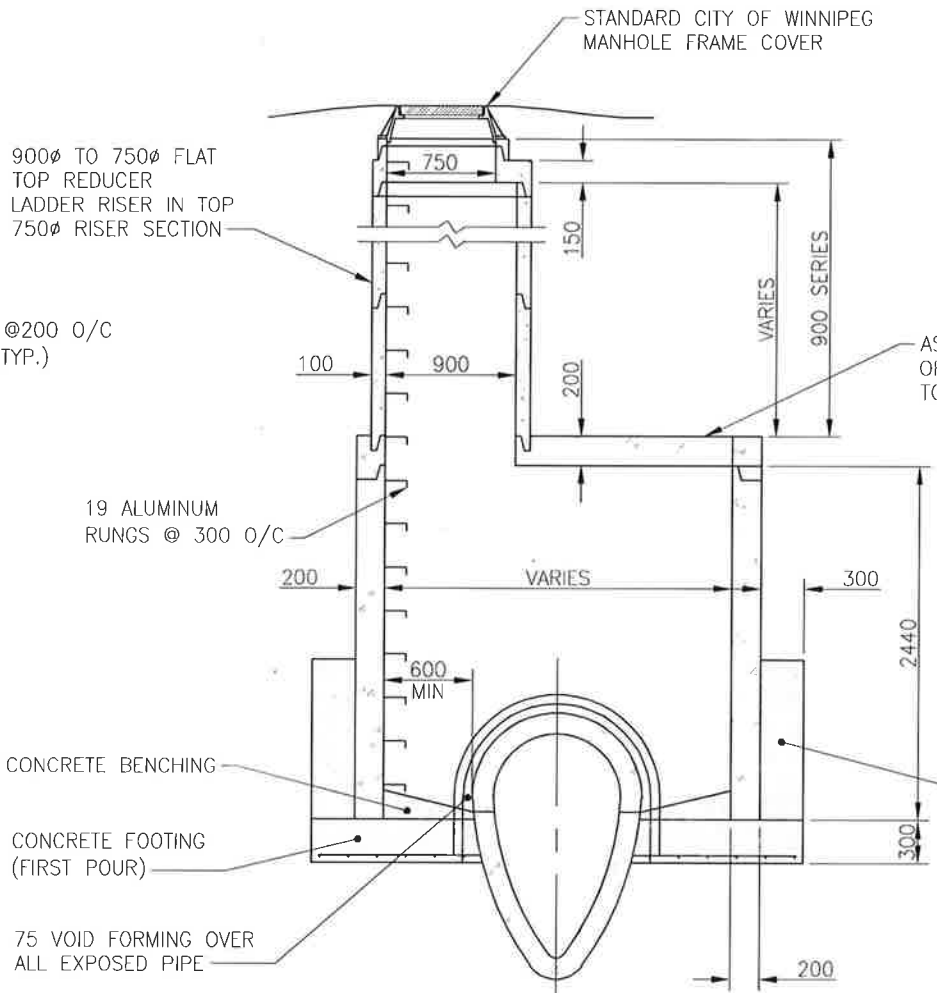
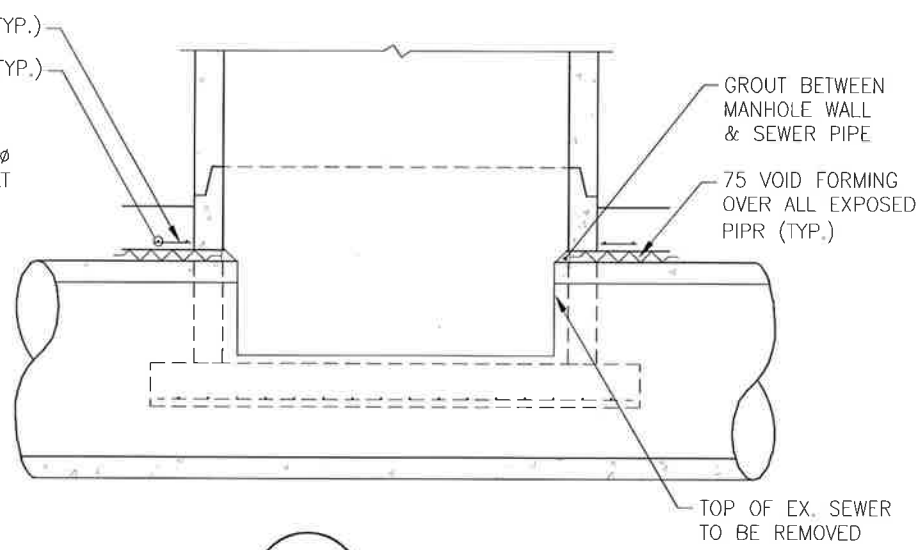


PLAN



A SECTION  
1:50



B SECTION  
1:50

NOTE:  
MH STACK DIAMETER WILL  
BE DETERMINED BY LINER  
INSTALLATION REQUIREMENT

**WARNING**

IF POWER EQUIPMENT OR EXPLOSIVES ARE TO BE USED FOR EXCAVATION ON THIS PROJECT THE CONTRACTOR MUST:  
1) NOTIFY THE GAS COMPANY OF THE PROPOSED LOCATION OF EXCAVATION.  
2) TAKE PRECAUTION TO AVOID DAMAGE TO GAS COMPANY INSTALLATIONS.  
SEE PROVINCIAL REGULATION 140/92 FOR DETAILS

**METRIC**

WHOLE NUMBERS INDICATE MILLIMETRES  
DECIMALIZED NUMBERS INDICATE METRES

**APEGM**  
Certificate of Authorization  
Stantec Consulting Ltd.  
No. 1301

BID OPPORTUNITY NO. 1083-2016

LOCATION APPROVED UNDERGROUND STRUCTURES		B.M. ELEV.
SUPV. U/G STRUCTURES COMMITTEE	DATE	
NOTE: LOCATION OF UNDERGROUND STRUCTURES AS SHOWN ARE BASED ON THE BEST INFORMATION AVAILABLE BUT NO GUARANTEE IS GIVEN THAT ALL EXISTING UTILITIES ARE SHOWN OR THAT THE GIVEN LOCATIONS ARE EXACT. CONFIRMATION OF EXISTENCE AND EXACT LOCATION OF ALL SERVICES MUST BE OBTAINED FROM THE INDIVIDUAL UTILITIES BEFORE PROCEEDING WITH CONSTRUCTION.		
NO.	REVISIONS	DATE BY

NO.	REVISIONS	DATE	BY

**Stantec**  
905 Waverley Street, Winnipeg, Manitoba  
Tel 204-489-5900 Fax 204-453-9012

DESIGNED BY	JH	CHECKED BY	CD
DRAWN BY	SC	APPROVED BY	RS
HOR. SCALE:	1:50	RELEASED FOR CONSTRUCTION:	
VERTICAL:		DATE	Feb. 28/17

ENGINEER'S SEAL

CONSULTANT DRAWING NO. C-301

**THE CITY OF WINNIPEG**  
WATER AND WASTE DEPARTMENT

2016 SEWER RENEWALS BY CIPP LINING  
CONTRACT 2

LARGE DIAMETER MANHOLE  
INSTALLATION DETAILS

SHEET	OF
1	1
CAD FILE DRAWING NUMBER 16320c-301-894.DWG	
CITY DRAWING NUMBER 11380	

V:\1112\active\111216320\0300\_drawing\0302\_sheet\_files\02\_civil\16320c-301-894.dwg