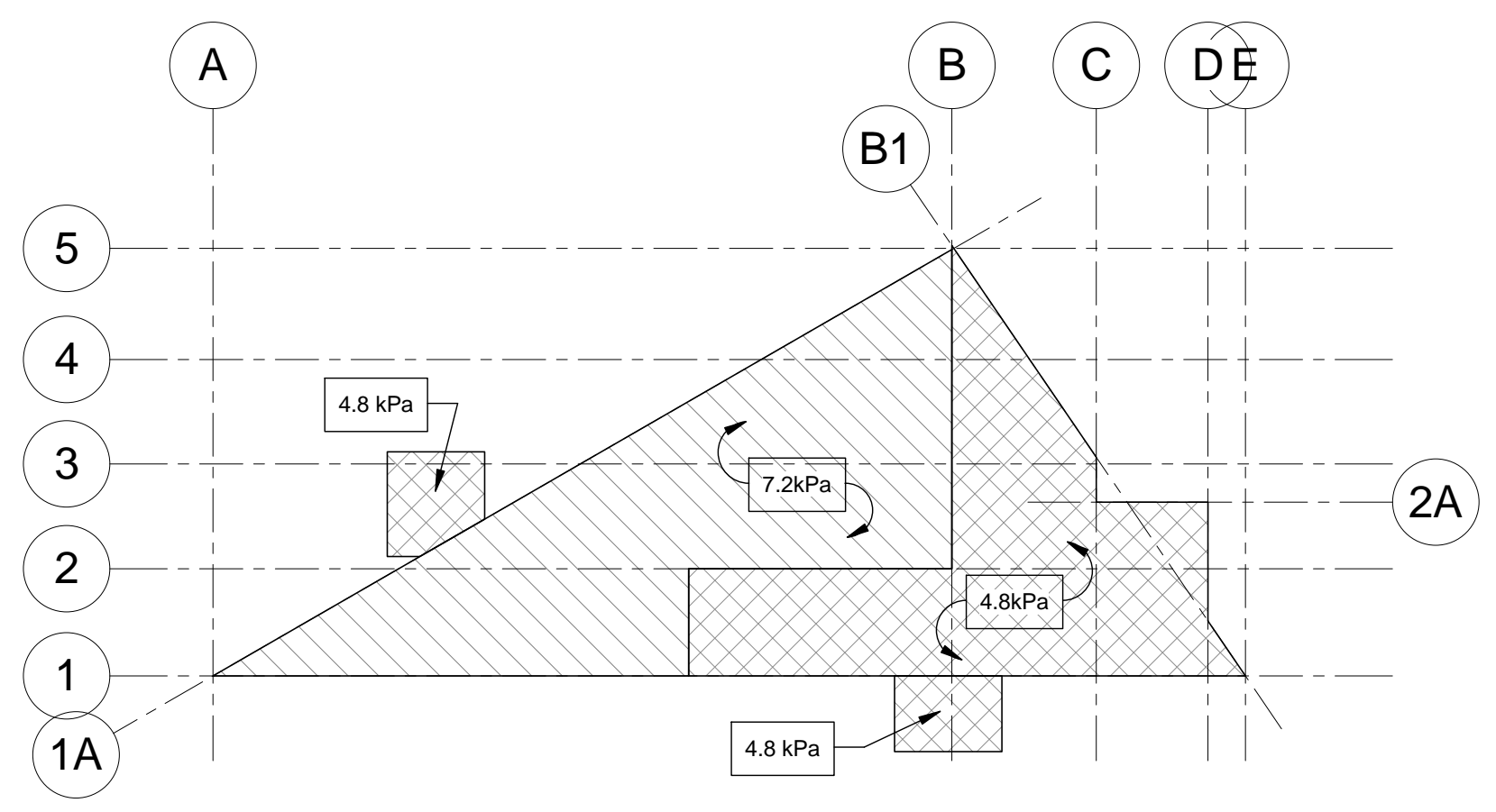


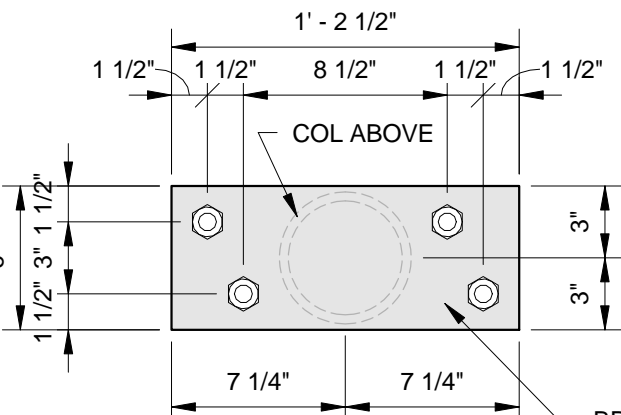
**1 FOUNDATION & MAIN FLOOR FRAMING PLAN**  
S-1 3/32" = 1'-0"



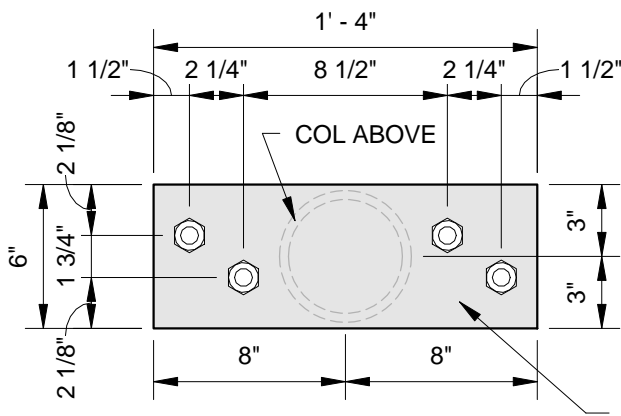
**2 MAIN FLOOR DESIGN LOADS**  
S-1 1/32" = 1'-0"

**DESIGN LOADS:**

LIVE LOAD:	AS NOTED ABOVE
DEAD:	SELF WEIGHT
8" HOLLOWCORE:	2.6 kPa
CONC. TOPPING:	1.2 kPa
(MIN. 2.25" MAX. 2.75")	
CONCRETE SLAB:	3.5 kPa
HOUSEKEEPING PAD:	2.4 kPa



**3 BPL-1 PLAN DETAIL**  
S-1 1 1/2" = 1'-0"



**4 BPL-2 PLAN DETAIL**  
S-1 1 1/2" = 1'-0"

1	ISSUED FOR ADDENDUM 2	2016.04.27	JCR
0	ISSUED FOR CONSTRUCTION	2016.03.28	JCR
2	REVISION	DATE	BY

**WOLFROM ENGINEERING LTD**  
CONSULTING ENGINEERS  
345 WARDLAW AVENUE  
WINNIPEG, CANADA R3L 0L5  
(204)452-0041 FAX: 294-8880  
E-Mail: info@wolfromeng.com

SEAL

**APEGM**  
Certificate of Authorization  
Wolfrom Engineering Ltd.  
No. 1156 Expiry: April 30, 2016

**PROFESSIONAL ENGINEER**  
J.C.P. REID  
Member  
22314  
2016-04-26

MARK	TYPE	REMARKS
GB-1	10" x 2'-0" GRADE BEAM	R/W 3-25M TOP & BOTTOM W/ 10M STIRRUPS @ 12" O/C ON 6" VOIDFORM
GB-1A	8" x 2'-0" GRADE BEAM	R/W 2-25M TOP & BOTTOM W/ 10M STIRRUPS @ 12" O/C ON 6" VOIDFORM
GB-2	8" x 5'-0" GRADE BEAM	R/W 2-20M TOP & BOTTOM 2-15M MID. EACH FACE EQ. SPACED W/ 10M STIRRUPS @ 12" O/C ON 6" VOIDFORM
GB-2A	12" x 5'-0" GRADE BEAM	R/W 2-20M TOP & BOTTOM 2-15M MID. W/ 10M STIRRUPS @ 12" O/C ON 6" VOIDFORM
GB-3	12" x 3'-10" GRADE BEAM	R/W 2-25M TOP & BOTTOM 2-15M MID. W/ 10M STIRRUPS @ 12" O/C INTO H/C UPSTAND ABOVE @ REQ'D LOCNS W/ CONT. 2-15M HORIZ. IN UPSTAND ON 6" VOIDFORM
GB-4	16" x 2'-0" GRADE BEAM	R/W 2-25M TOP & BOTTOM W/ 10M STIRRUPS @ 12" O/C ON 6" VOIDFORM
GB-5	10" x 2'-0" GRADE BEAM	R/W 2-25M TOP & BOTTOM W/ 10M STIRRUPS @ 12" O/C ON 6" VOIDFORM

1 PROVIDE MATCHING VERT. DOWELS FROM WALLS ABOVE  
VOIDFORM NOT REQUIRED AT INTERIOR LOCNS  
W/ MIN. 6" AIRSPACE BELOW DUE TO CRAWLSPACE GRADE

MARK	TYPE	REMARKS
PC-1	24"Ø x 24" DP.	R/W 5-20M VERT. W/ 4-10M RINGS EQ. SPACED

MARK	TYPE	REMARKS
CB-1	16" x 8" CONCRETE BEAM	R/W 2-20M TOP & BOTTOM W/ 10M STIRRUPS @ 10" O/C
CB-2	8" x 20" CONCRETE BEAM	R/W 2-20M TOP & BOTTOM W/ 10M STIRRUPS @ 10" O/C
CB-3	8" x 4'-3" CONCRETE BEAM	R/W 2-25M TOP & BOTTOM 3-15M MID. EACH FACE W/ 10M STIRRUPS @ 10" O/C
CB-4	8" x 30" CONCRETE BEAM	R/W 2-15M TOP & BOTTOM 2-15M MID. EACH FACE W/ 10M STIRRUPS @ 10" O/C

- PROVIDE MATCHING VERT. DOWELS FROM WALLS ABOVE

MARK	TYPE	REMARKS
DP-1	48"x48"x4" DP DROP PANEL	PROVIDE TM-1 AT ALL DP-1 LOCNS

MARK	REMARKS
TM-1	8-15M x 8'-0" LG. @ 8" O/C EACH WAY

MARK	REMARKS
8" H/C	8" PRE-STRESSED PRECAST HOLLOWCORE

MARK	TYPE	REMARKS
SL-1	6" STRUCTURAL CONCRETE SLAB	R/W 15M @ 12" O/C BOTTOM EACH WAY ON 6" VOIDFORM W/ PERIMETER 15M TOP DOWELS @ 12" O/C
SL-2	6" STRUCTURAL CONCRETE SLAB	R/W 15M @ 12" O/C BOTTOM EACH WAY ON 6" VOIDFORM
SL-3	7" STRUCTURAL CONCRETE SLAB	R/W 15M @ 12" O/C TOP & BOTTOM EACH WAY ON 6" VOIDFORM C/W 3'-6" x 3'-6" x 4" DP. DROP PANEL

MARK	REMARKS
TSL-1	16" x 16" @ EDGE R/W 2-20M TOP & BOTTOM W/ 15M STIRRUPS MATCHING SLAB REINFORCING
TSL-2	16" x 16" @ INT. R/W 2-20M TOP & BOTTOM W/ 15M U-BAR STIRRUPS MATCHING SLAB REINFORCING
TSL-3	12" x 12" @ EDGE R/W 2-15M TOP & BOTTOM W/ STIRRUPS MATCHING SIDEWALK REINFORCING

MARK	TYPE	REMARKS
P-1	16"Ø PILE	LENGTH VARIES, 46' AT INTERIOR, 45' AT PERIMETER U.N.O. R/W 5-10M VERT. FULL LENGTH W/ 2-10M RINGS TOP @ 6" O/C REMAINDER @ 24" O/C

- ALL PILES TO BE P-1 U.N.O.  
- PILE LENGTHS NOTED (XX) ON PLAN  
- T.O. PILE ELEVATIONS NOTED [-X-XX'] ON PLAN  
- PILES AT EXTERIOR RETAINING WALL TO BE 25'-0" LG.

MARK	REMARKS
HP-1	W/ MIN. 3.5"Ø x MIN. 10'-0" GALV. STEEL HELICAL SCREW PILE W/ SINGLE HELIX MIN. 10K FACTORED LOADING CAPACITY & 9K SERVICE LOAD CAPACITY W/ MIN. 0.3" WALL THICKNESS OR GREATER AS REQ'D BY SUPPLIER C/W 1/4" PLATE LATERAL RESTRAINT FINNED SLEEVE @ T.O. GRADE W/ 1/2"x6"x6" TOP MOUNTING PLATE
HP-2	W/ MIN. 3.5"Ø x MIN. 10'-0" GALV. STEEL HELICAL SCREW PILE W/ SINGLE HELIX MIN. 12K FACTORED LOADING CAPACITY & 9K SERVICE LOAD CAPACITY W/ MIN. 0.3" WALL THICKNESS OR GREATER AS REQ'D BY SUPPLIER C/W 1/4" PLATE LATERAL RESTRAINT FINNED SLEEVE @ T.O. GRADE W/ 1/2"x6"x6" TOP MOUNTING PLATE

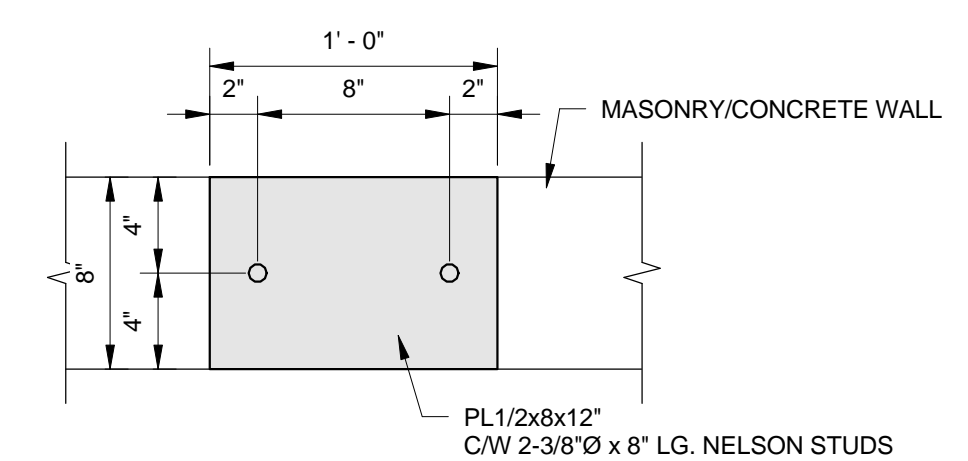
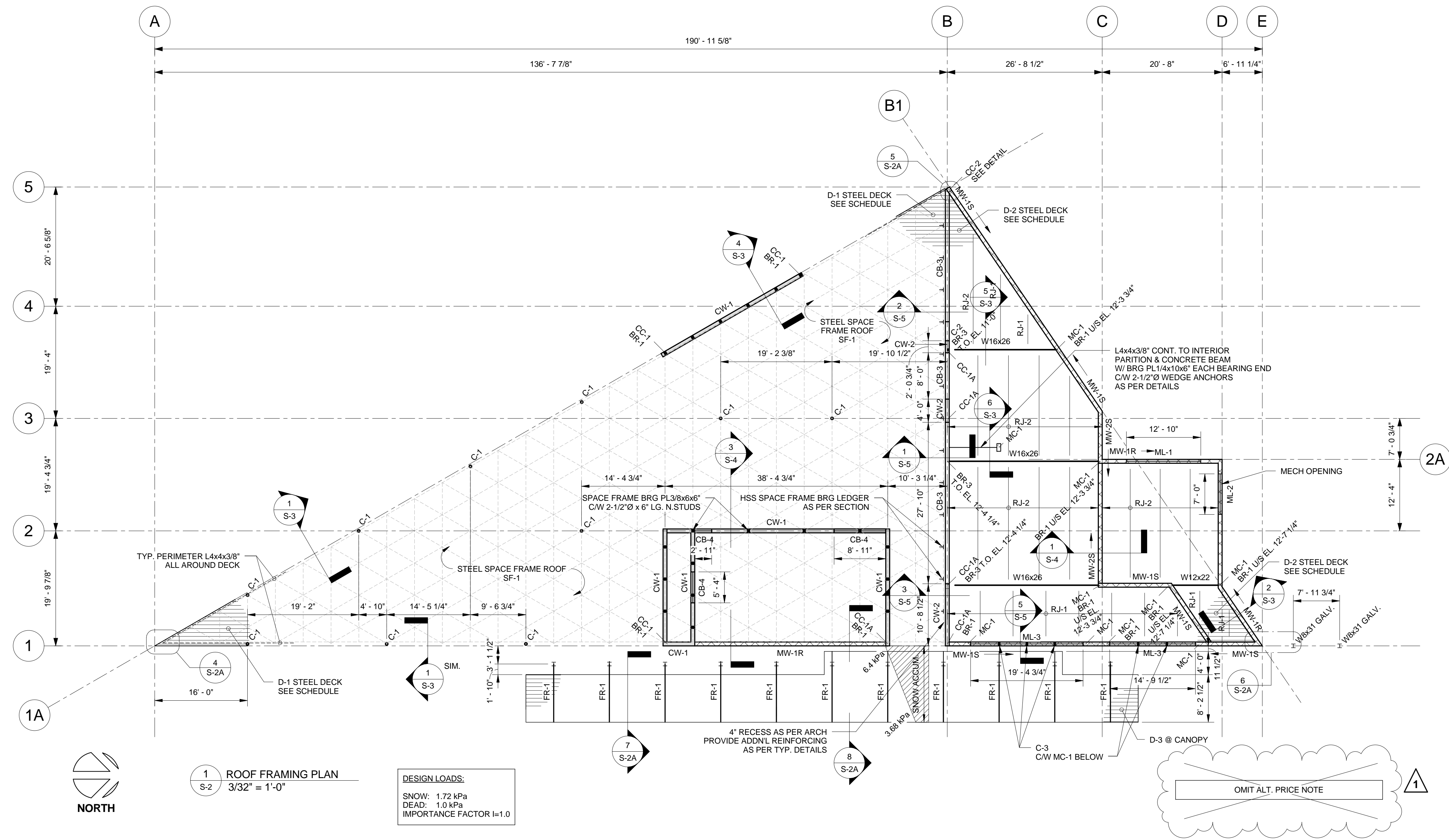
JOB TITLE

**WINDSOR PARK LIBRARY**

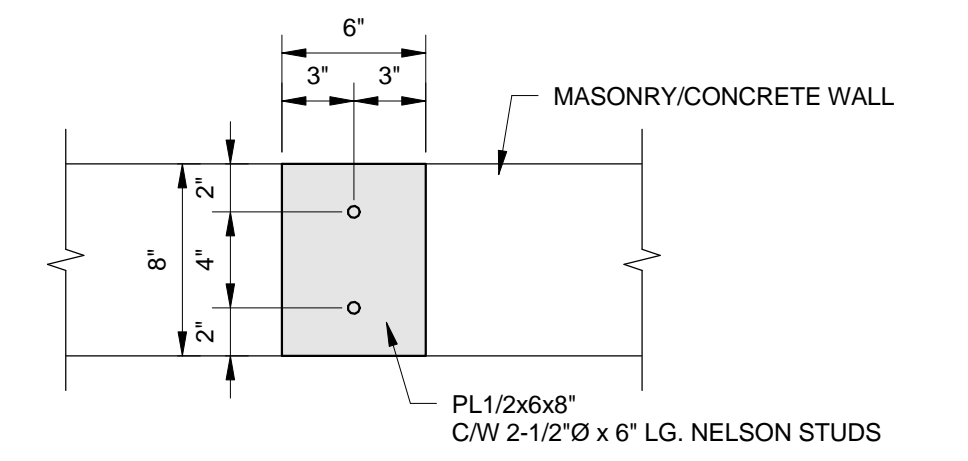
DRAWING TITLE

**FOUNDATION & MAIN FLOOR FRAMING PLAN**

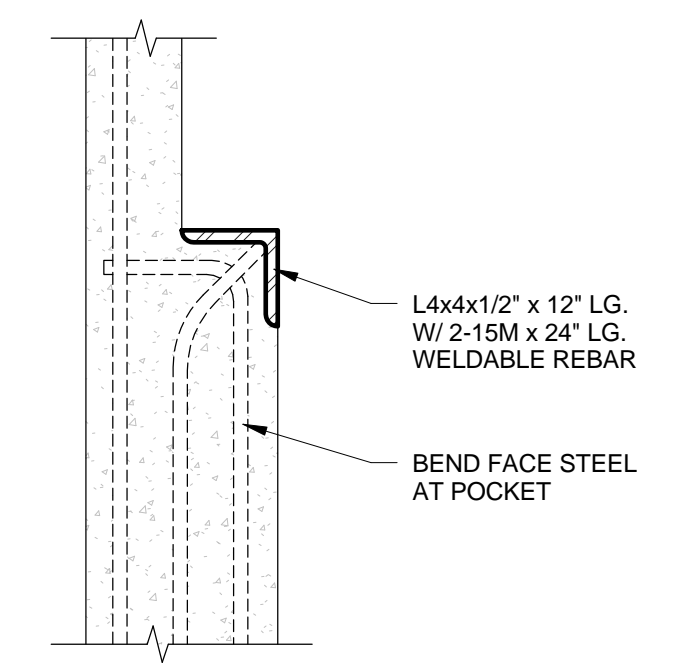
DRAWN BY	SCALE	DRAWING NO.
MANF	As indicated	<b>S-1</b>
FILE NO.	DATE	REVISION NO.
W15033	APRIL 27, 2016	1



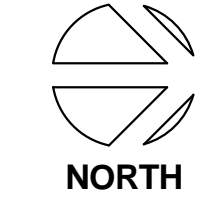
2 BR-1 PLAN DETAIL  
S-2 1 1/2" = 1'-0"



3 BR-2 PLAN DETAIL  
S-2 1 1/2" = 1'-0"



4 BR-3 SECTION DETAIL  
S-2 1 1/2" = 1'-0"



1 ROOF FRAMING PLAN  
S-2 3/32" = 1'-0"

DESIGN LOADS:  
SNOW: 1.72 kPa  
DEAD: 1.0 kPa  
IMPORTANCE FACTOR I=1.0

OMIT ALT. PRICE NOTE

MASONRY WALL SCHEDULE		
MARK	TYPE	REMARKS
MW-1	8" MASONRY CONCRETE BLOCK WALL	TYPE H/15/A/M R/W 15M VERT. @ 16" O/C FILL REINF. CORES W/ MIN. 25 MPa CONCRETE HORIZ. JOINT REINF. EVERY 2ND COURSE RUNNING BOND, EVERY COURSE STACK PATTERN
MW-2	8" MASONRY CONCRETE BLOCK WALL	TYPE H/15/A/M R/W 15M VERT. @ 16" O/C FILL REINF. CORES W/ MIN. 25 MPa CONCRETE HORIZ. JOINT REINF. EVERY 2ND COURSE

- MASONRY BOND TO BE STACK PATTERN TYP. REFER TO NOTED MARK ON PLAN: (S) - STACK PATTERN (R) - RUNNING BOND  
- PROVIDE DUROWALL REINFORCING AT ALL VERTICAL BED LOC'NS  
- TYP. PROVIDE BOND BEAM AT TOP OF EVERY MASONRY WALL R/W 2-15M HORIZ. AND @ 4'-0" O/C HORIZONTALLY AT STACK PATTERN LOC'NS  
- TYP. FILL ALL CORES FILLED FULL HEIGHT SOLID W/ MIN. 25 MPa CONCRETE W/ 1-15M VERT. EA. CORE AT EXT. WALLS LESS THAN 100 WIDE  
- TYP. ALL MASONRY PARTITION WALLS R/W 1-15M VERT. @ 16" O/C FULL HEIGHT FILL W/ MIN. 25 MPa CONCRETE  
- TYP. FILL ALL CORES FILLED FULL HEIGHT SOLID W/ MIN. 25 MPa CONCRETE AT FIREWALLS AS SHOWN BY ARCH  
- TYP. PROVIDE MATCHING VERT. DOWELS INTO GRADE BEAM, CONCRETE WALL, OR CONCRETE BEAM BELOW  
- TYP. PROVIDE L3x4 @ MASONRY WALL ATTACHMENTS ABOVE MAIN FLOOR FOR CURTAIN WALL

MASONRY COLUMN SCHEDULE	
MARK	TYPE
MC-1	8" x 16" (TO U/S DECK) H/15/A/M R/W 2-15M VERT. (1 EA. CORE) FILL COL FULL HEIGHT W/ MIN. 25 MPa CONCRETE
MC-2	8" x 16" (TO U/S DECK) H/15/A/M R/W 2-15M VERT. (1 EA. CORE) FILL COL FULL HEIGHT W/ MIN. 25 MPa CONCRETE

- TYP. U.N.O. PROVIDE 2-15M VERT. EA. END OF LINTEL

MASONRY LINTEL SCHEDULE	
MARK	TYPE/REMARKS
ML-1	8" x 30" R/W 2-15M TOP, 2-15M BOTTOM W/ 10M SINGLE LEG STIRRUPS @ 16" O/C PROVIDE MIN. 8" BEARING EA. END
ML-2	8" x 24" R/W 1-15M TOP, 2-15M BOTTOM W/ 10M SINGLE LEG STIRRUPS @ 16" O/C PROVIDE MIN. 8" BEARING EA. END
ML-3	BACK-TO-BACK L5x3x7/16" LLV C/W MASONRY STRAPS @ 16" O/C

- TYP. U.N.O. PROVIDE MC-1 EA. END OF LINTEL

C.I.P. CONCRETE WALL SCHEDULE		
MARK	TYPE	REMARKS
CW-1	8" WIDE CONCRETE WALL	R/W 15M @ 10" O/C EACH WAY EACH FACE
CW-2	8" WIDE CONCRETE WALL	R/W 15M @ 10" O/C EACH WAY EACH FACE

C.I.P. CONCRETE BEAM SCHEDULE		
MARK	TYPE	REMARKS
CB-1	16" x 8" CONCRETE BEAM	R/W 2-20M TOP & BOTTOM W/ 10M STIRRUPS @ 10" O/C
CB-2	8" x 20" CONCRETE BEAM	R/W 2-20M TOP & BOTTOM W/ 10M STIRRUPS @ 10" O/C
CB-3	8" x 4'-3" CONCRETE BEAM	R/W 2-25M TOP & BOTTOM 3-15M MID. EACH FACE W/ 10M STIRRUPS @ 10" O/C
CB-4	8" x 30" CONCRETE BEAM	R/W 2-15M TOP & BOTTOM 2-15M MID. EACH FACE W/ 10M STIRRUPS @ 10" O/C

ROOF JOIST SCHEDULE		
MARK	TYPE	REMARKS
RJ-1	C6x8.2	SP. @ MAX. 6'-0" O/C
RJ-2	C8x11.5	SP. @ MAX. 6'-0" O/C

- TYP. ALL JOISTS PROVIDE MC-2 & BR-2 AT ALL MASONRY BEARING LOC'NS

COLUMN SCHEDULE		
MARK	TYPE	REMARKS
C-1	HSS5.5"Øx3/8"	C/W BPL-1 & 5.5"Ø x 3/4" TOP CAP
C-2	HSS3"x3"x1/4"	STUB COLUMN C/W BPL-2 & 5.5"Ø x 3/4" TOP CAP
C-3	HSS5"x3"x3/16"	C/W BPL6x12x3/8" W/ 2-1/2"Ø A.BOLTS INTO FILLED COURSES C/W MATCHING 1/2" CAP PL
CC-1	10"x10" CONCRETE COLUMN	R/W 4-15M VERT. W/ 10M STIRRUPS @ 10" O/C PROVIDE 3-15M DIAG. x 8-0" LG. @ 4" SPACING AT ALL BEAM BEARING LOC'NS
CC-1A	8"x10" CONCRETE COLUMN	SIM. AS CC-1
CC-2	CONCRETE COLUMN (DIMS AS PER DETAIL)	R/W 6-15M VERT. 10M STIRRUPS @ 12" O/C

SPACE FRAME SCHEDULE		
MARK	TYPE/REMARKS	
SF-1	28" DP. STEEL SPACE FRAME ROOF SYSTEM C/W HSS2.5x2.5x1/4" TRANSVERSE PURLINS @ 4'-9.675" O.C PARALLEL GRID 'A' & 'B'	

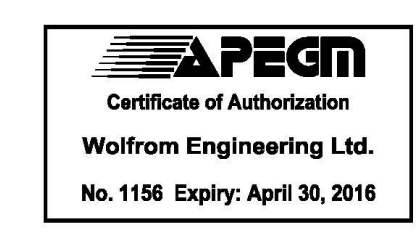
- ENSURE SEALED SPACE FRAME SHOP DRAWINGS PROVIDED FOR REVIEW PRIOR TO PILE PLACEMENT

STEEL DECK SCHEDULE		
MARK	TYPE	REMARKS
D-1	1 1/2" x 18 Ga. STEEL DECK	#10 SCREW SIDEPLATES @ 6" O/C, 36/11 SUPPORT PATTERN 3/4"Ø FUSION WELDS ALONG ALL EDGES @ 6" O/C C/W PERIMETER ANGLE AS NOTED ON PLAN
D-2	1 1/2" x 22 Ga. STEEL DECK	#10 SCREW SIDEPLATES @ 6" O/C, 36/11 SUPPORT PATTERN 3/4"Ø FUSION WELDS ALONG ALL EDGES @ 6" O/C C/W PERIMETER ANGLE AS NOTED ON PLAN
D-3	3" x 22 Ga. STEEL DECK	#10 SCREW SIDEPLATES @ 6" O/C, 36/11 SUPPORT PATTERN 3/4"Ø FUSION WELDS ALONG ALL EDGES @ 6" O/C C/W PERIMETER BENT GALV. PL1.5x1.5x3/8" AS PER CANOPY SECTIONS

STEEL FRAME SCHEDULE	
MARK	REMARKS
FR-1	W8x31 VERT. & HORIZ. C/W HSS2.5x2.5x1/4" ALONG VERT. & HORIZ. OR BENT U-PLATE AS PER ARCH

NO.	ISSUED FOR	DATE	BY
1	ISSUED FOR ADDENDUM 2	2016.04.27	JCR
0	ISSUED FOR CONSTRUCTION	2016.03.28	JCR
2	REVISION	DATE	BY

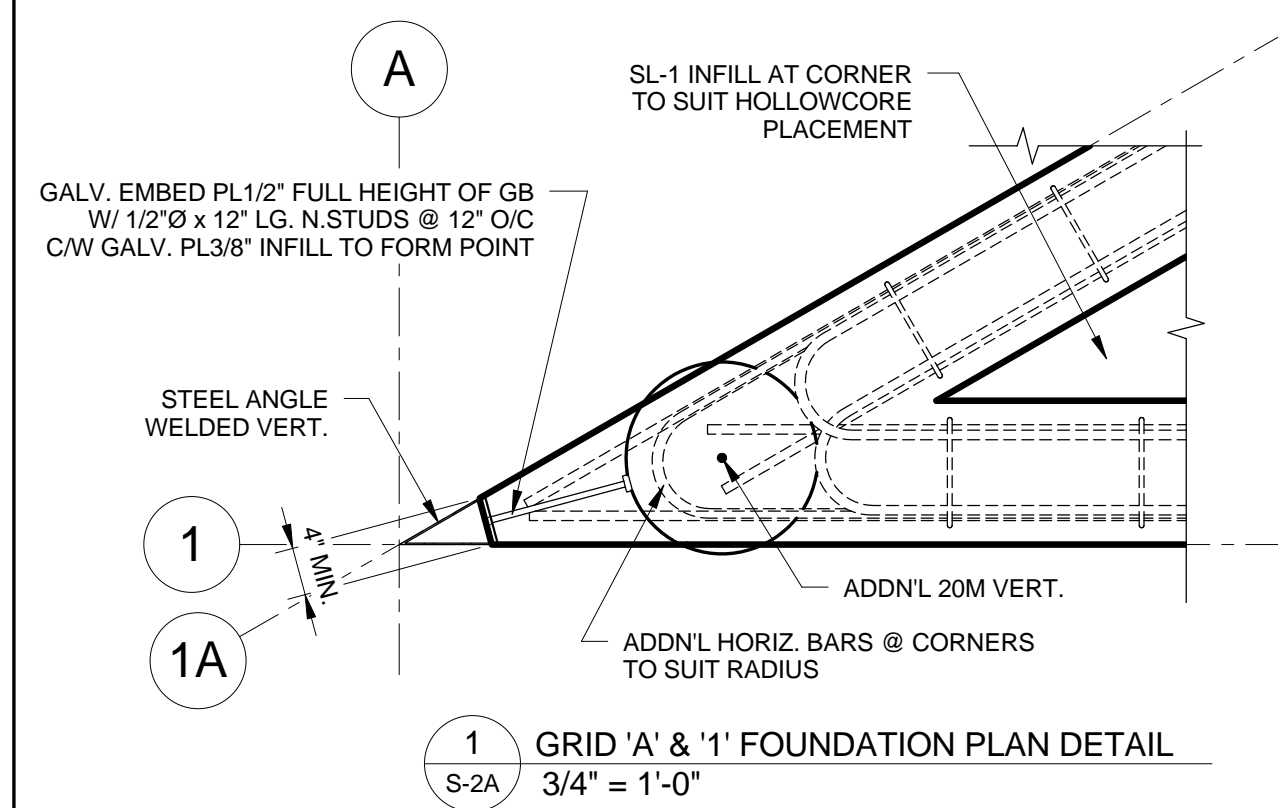
**WOLFROM ENGINEERING LTD**  
CONSULTING ENGINEERS  
345 WARDLAW AVENUE  
WINNIPEG, CANADA R3L 0L5  
(204)452-0041 FAX: 294-8980  
E-Mail: info@wolfromeng.com



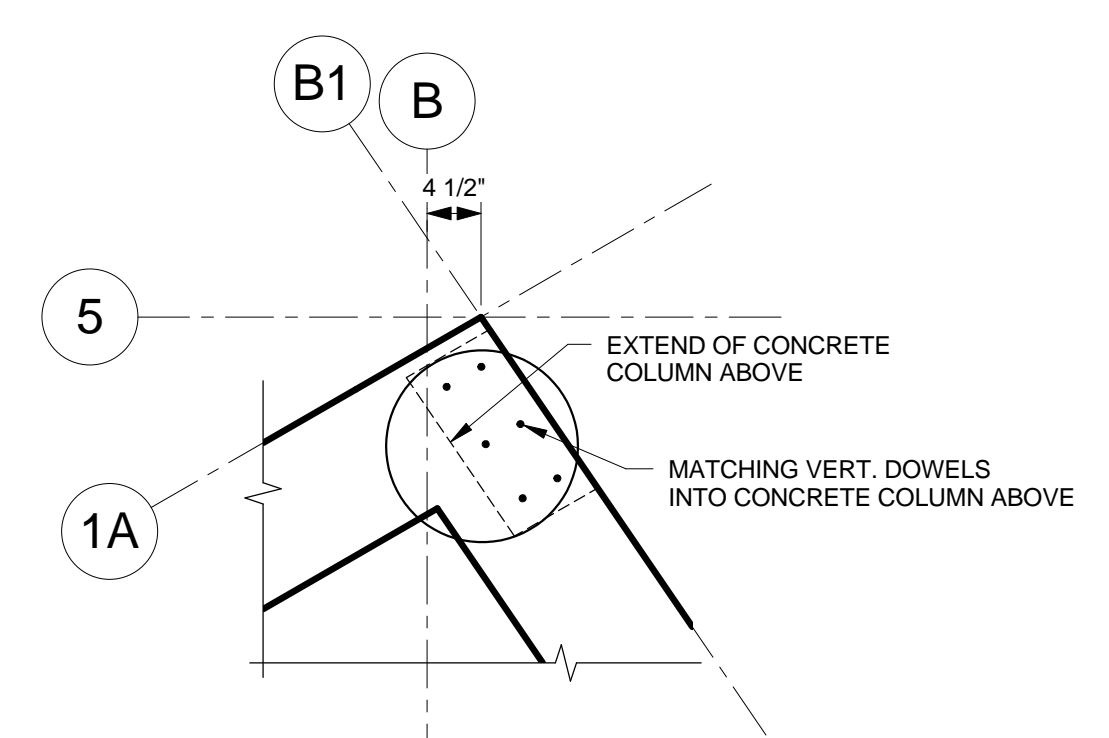
JOB TITLE  
**WINDSOR PARK LIBRARY**

DRAWING TITLE  
**ROOF FRAMING PLAN**

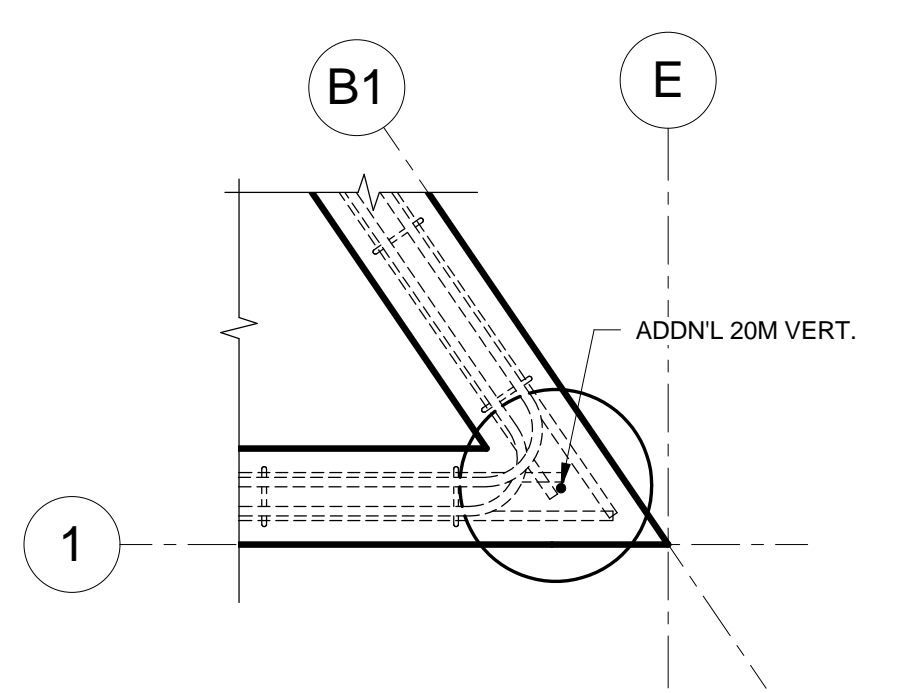
DRAWN BY	SCALE	DRAWING NO.
MNF	As indicated	<b>S-2</b>
FILE NO.	DATE	REVISION NO.
W15033	APRIL 27, 2016	1



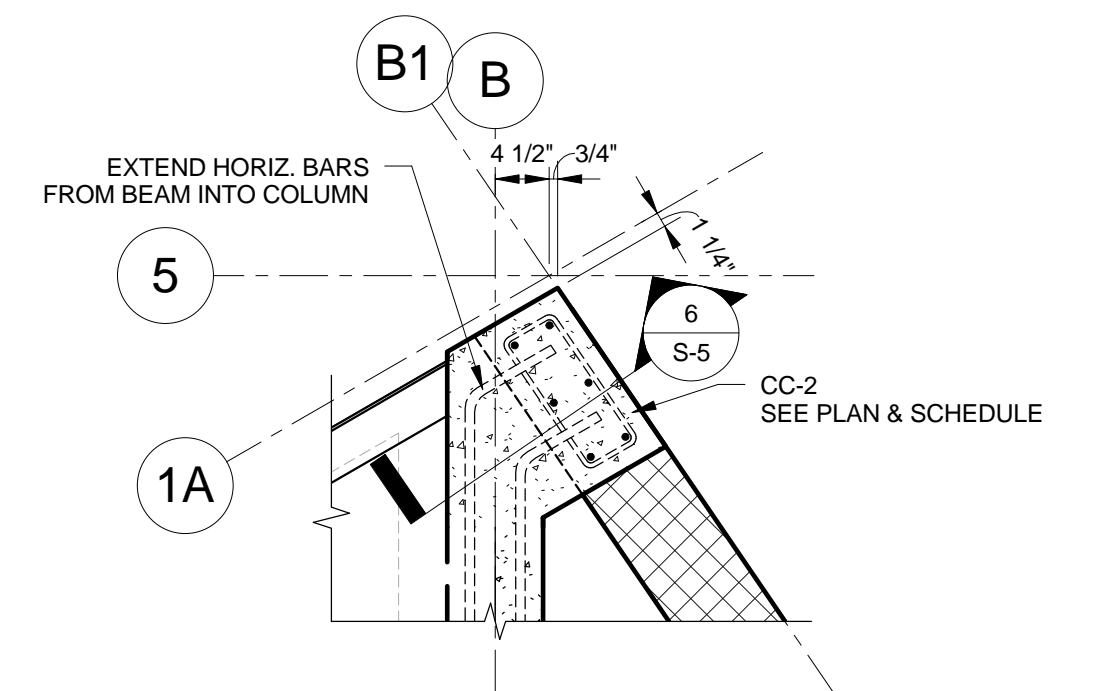
1 GRID 'A' & '1' FOUNDATION PLAN DETAIL  
S-2A 3/4" = 1'-0"



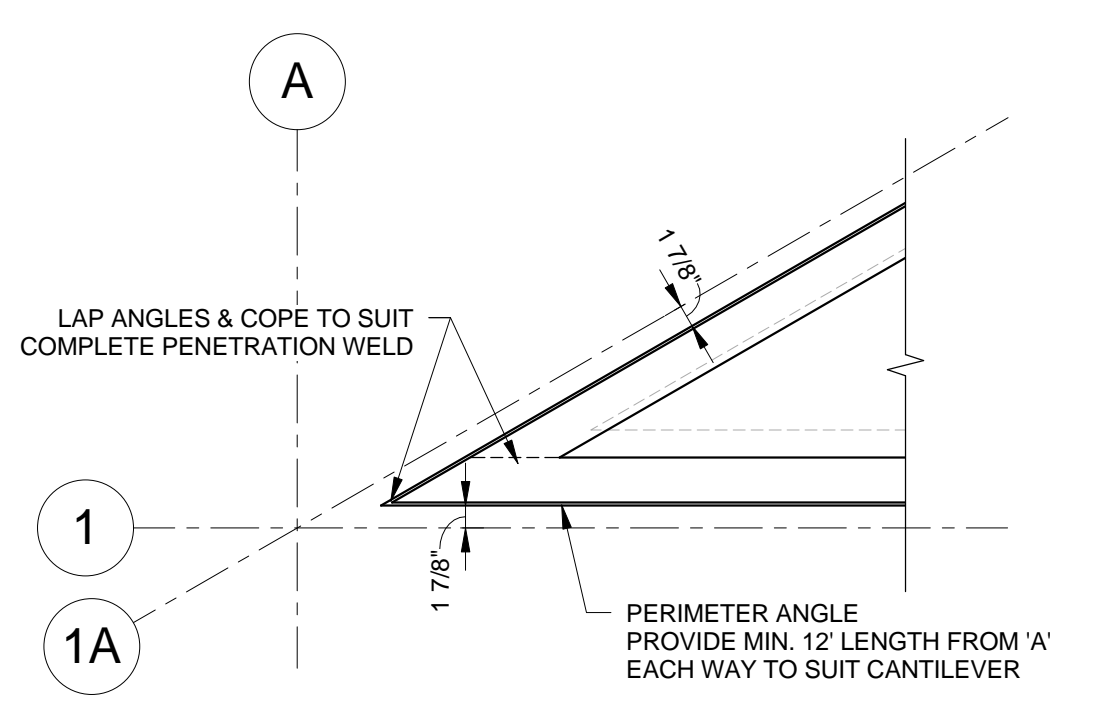
2 GRID 'B' & '5' FOUNDATION PLAN DETAIL  
S-2A 3/4" = 1'-0"



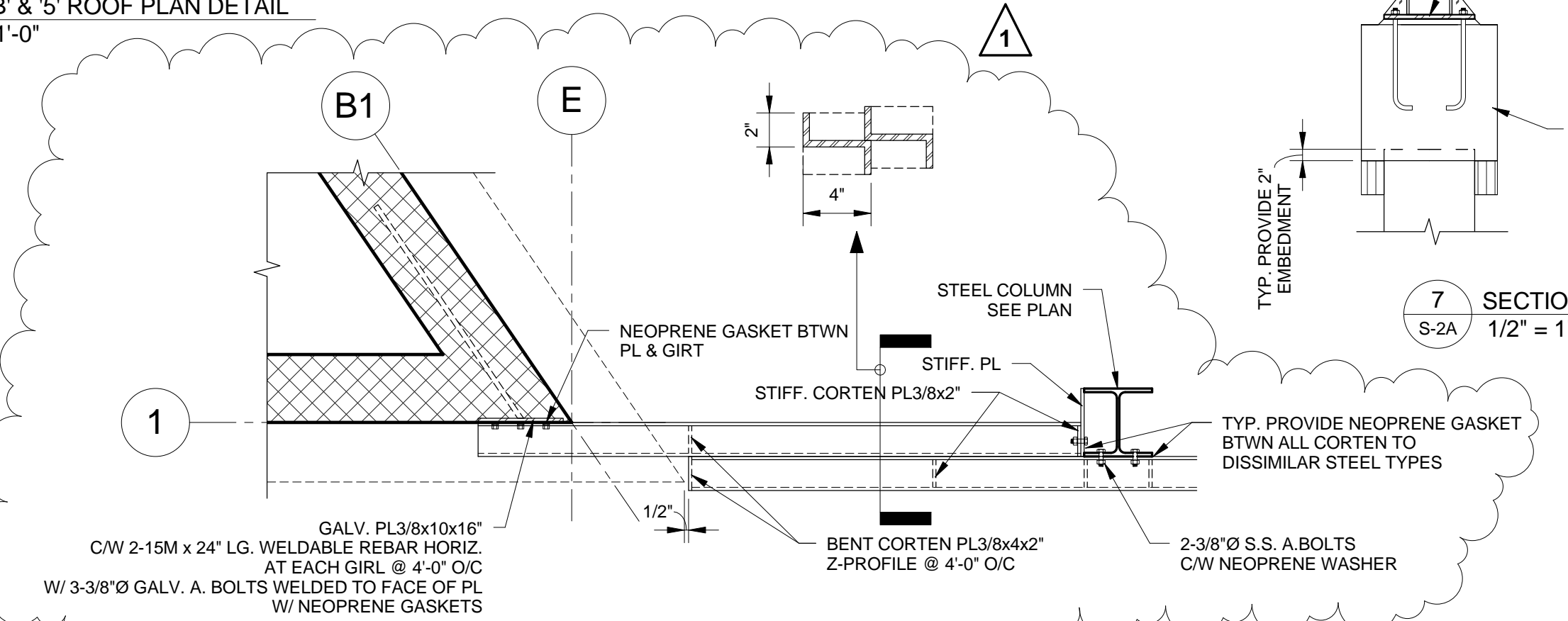
3 GRID 'E' & '1' FOUNDATION PLAN DETAIL  
S-2A 3/4" = 1'-0"



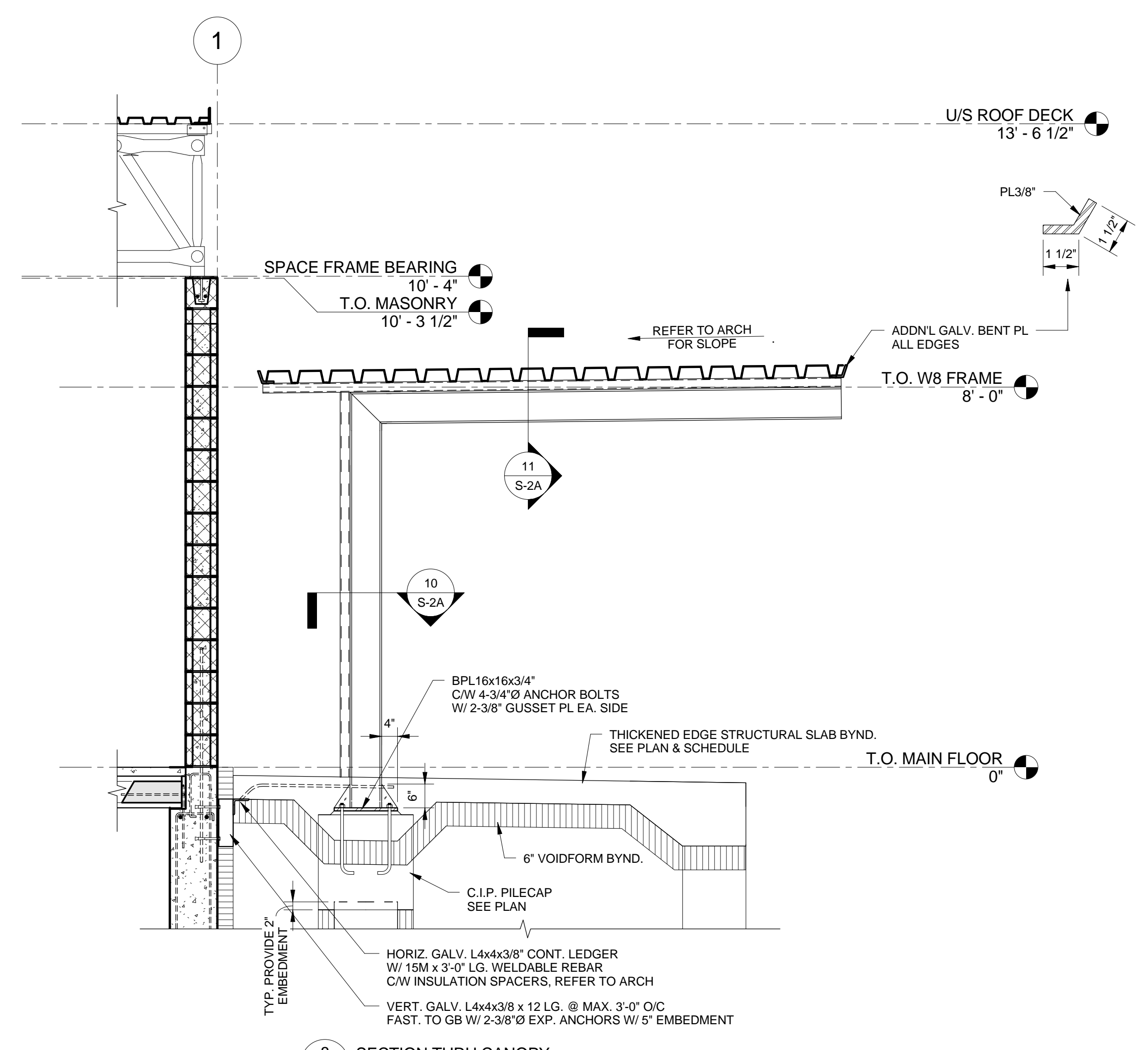
5 GRID 'B' & '5' ROOF PLAN DETAIL  
S-2A 3/4" = 1'-0"



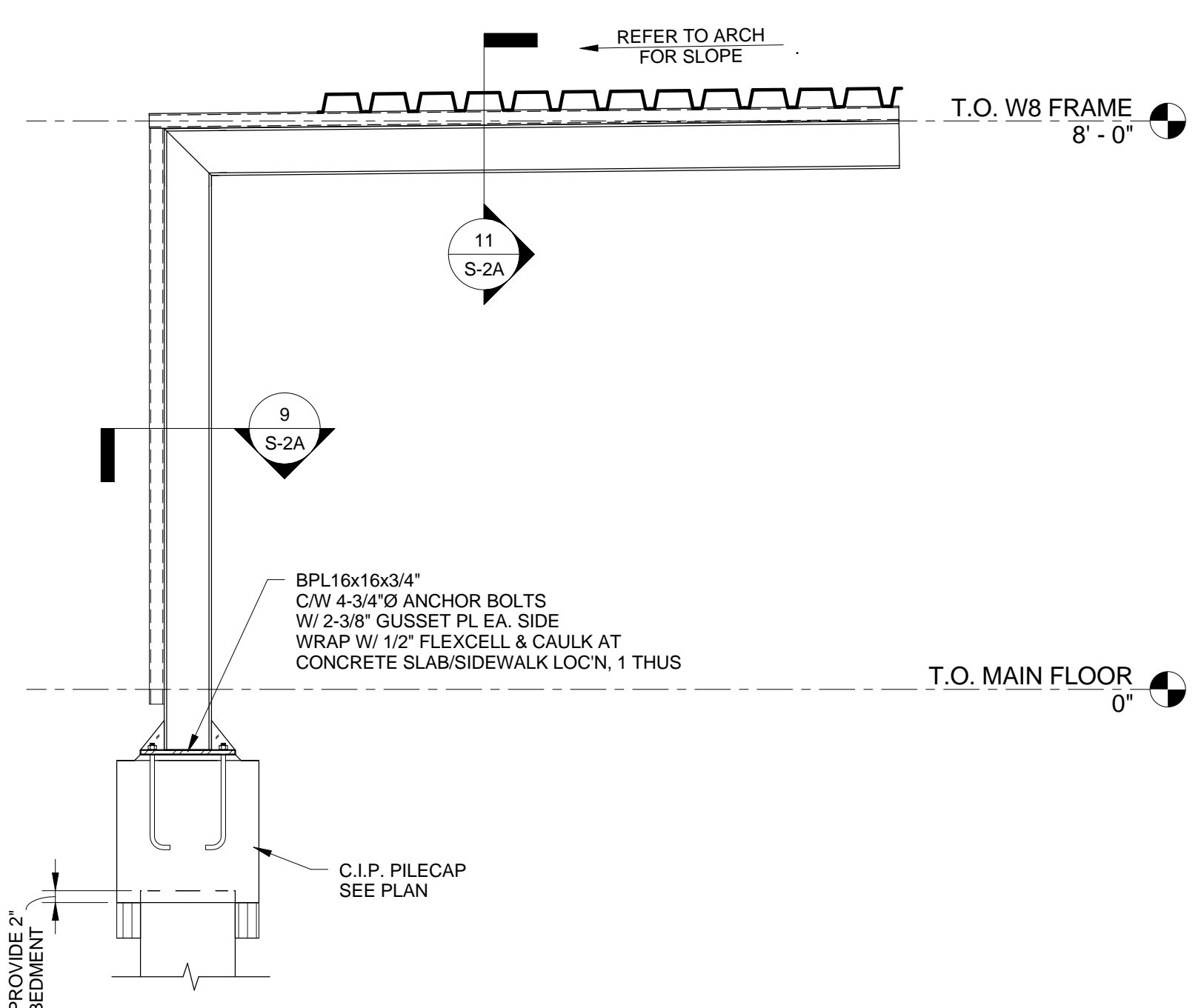
4 GRID 'A' & '1' ROOF PLAN DETAIL  
S-2A 3/4" = 1'-0"



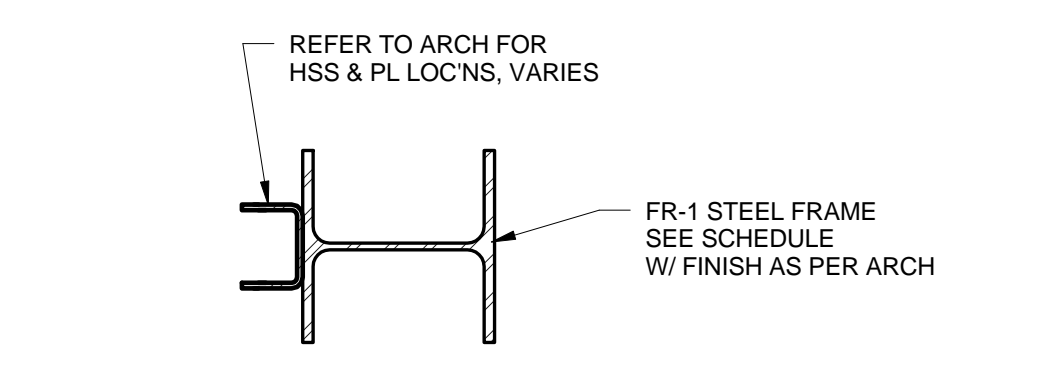
6 GRID 'E' & '1' ROOF PLAN DETAIL  
S-2A 3/4" = 1'-0"



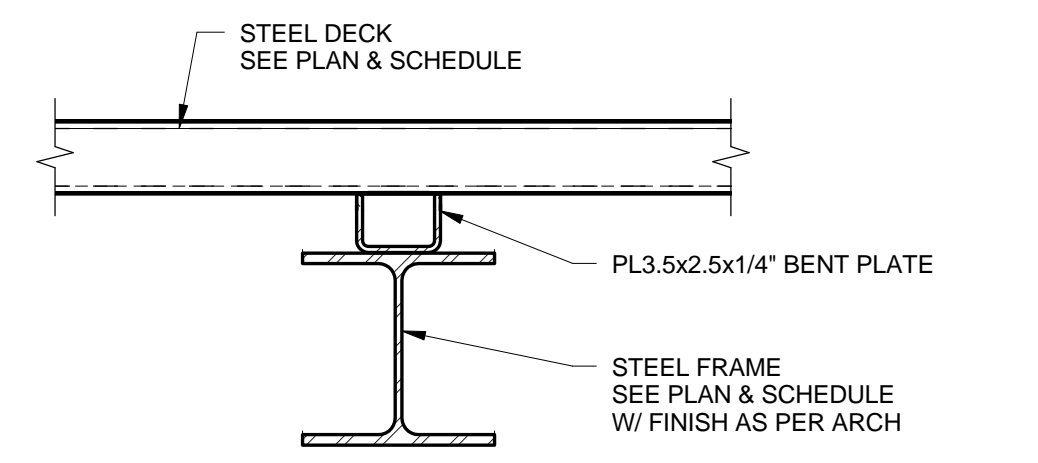
8 SECTION THRU CANOPY  
S-2A 1/2" = 1'-0"



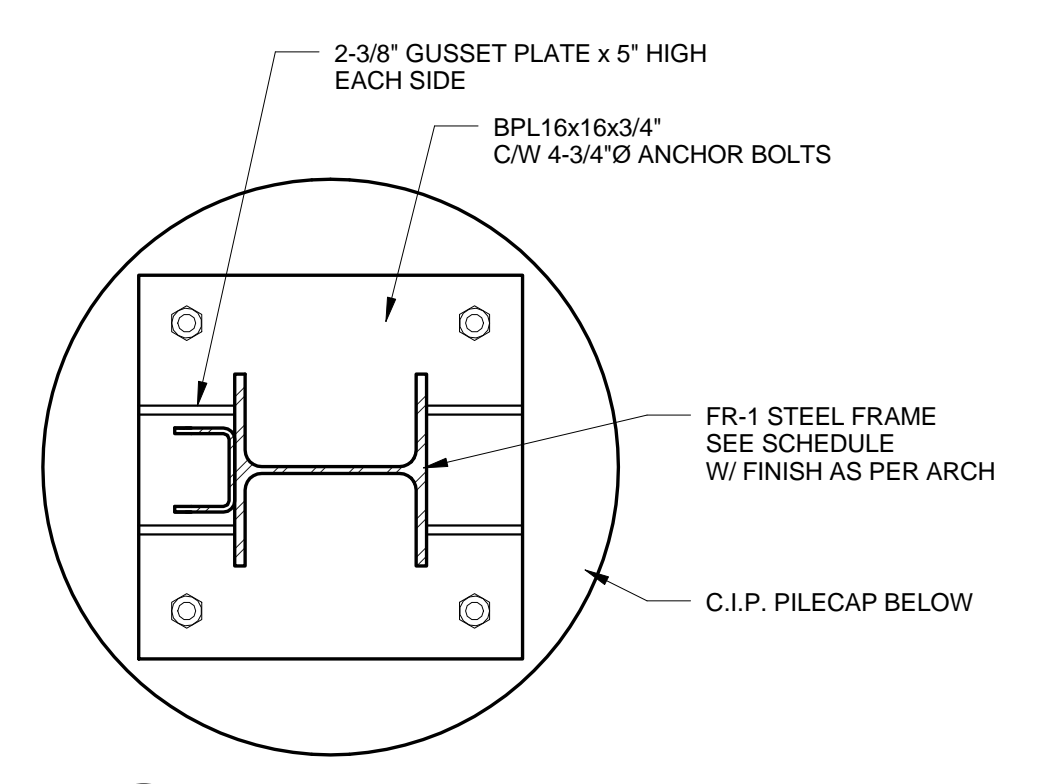
7 SECTION THRU CANOPY  
S-2A 1/2" = 1'-0"



10 FR-1 COLUMN SECTION  
S-2A 1 1/2" = 1'-0"



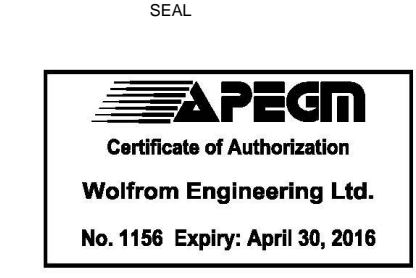
11 SECTION THRU FR-1 @ ROOF DECK  
S-2A 1 1/2" = 1'-0"



9 FR-1 COLUMN SECTION  
S-2A 1 1/2" = 1'-0"

REVISION	DATE	BY
1	2016.04.27	JCR
0	2016.03.28	JCR

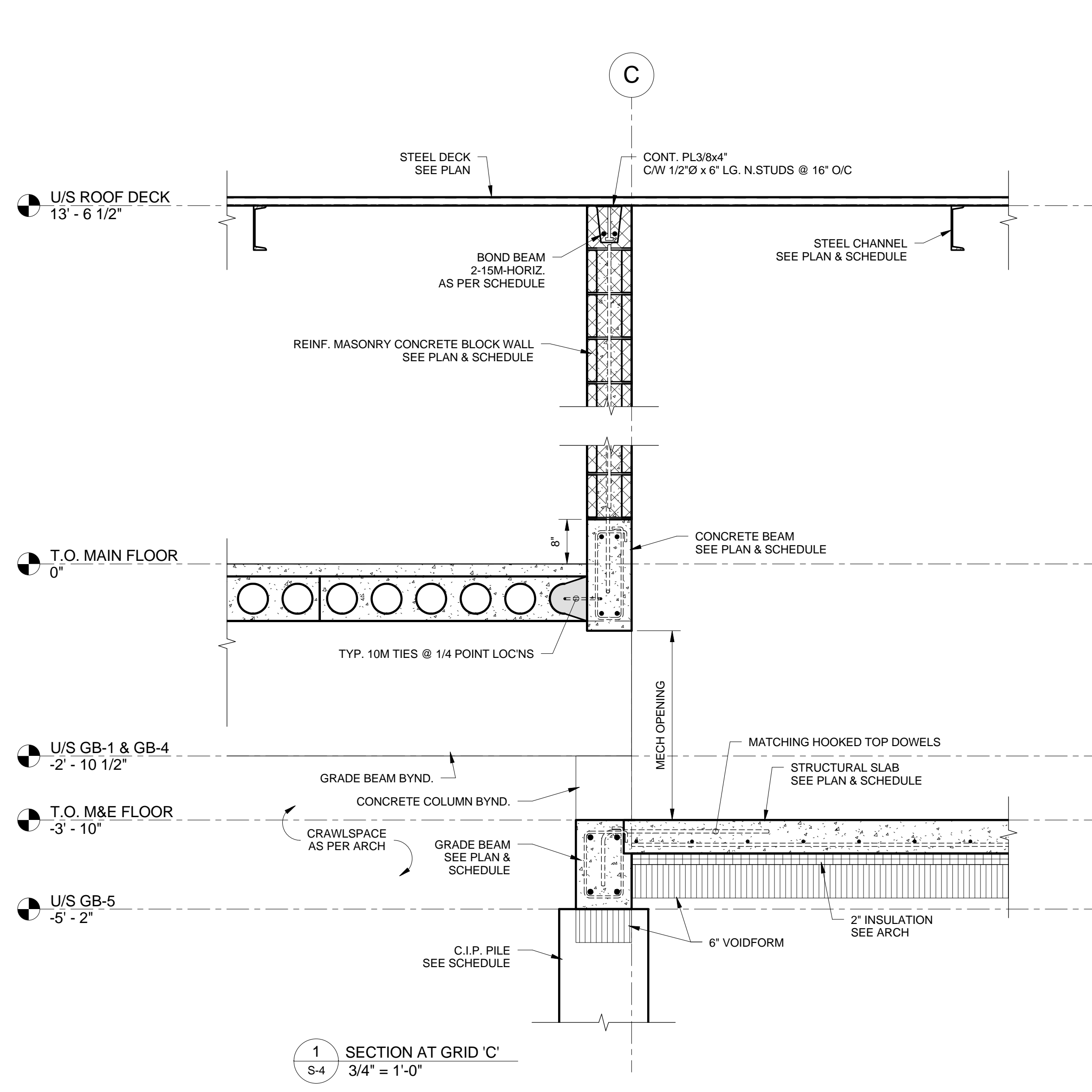
**WOLFROM ENGINEERING LTD**  
CONSULTING ENGINEERS  
345 WARDLAW AVENUE  
WINNIPEG, CANADA R3L 0L5  
(204) 452-0041 FAX: 294-8880  
E-Mail: info@wolfromeng.com



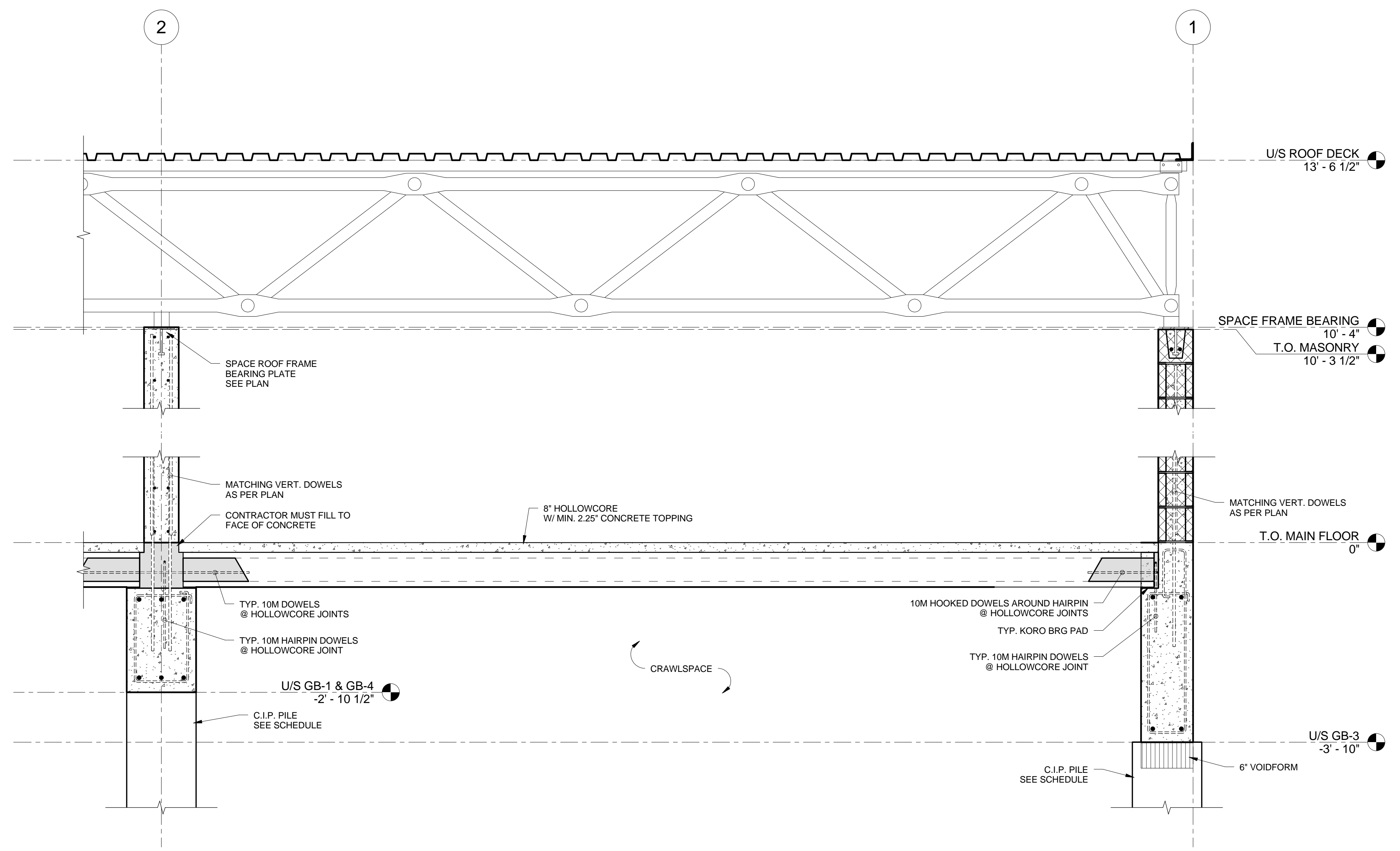
**WINDSOR PARK LIBRARY**

**CORNER FRAMING PLAN DETAILS & CANOPY SECTIONS**

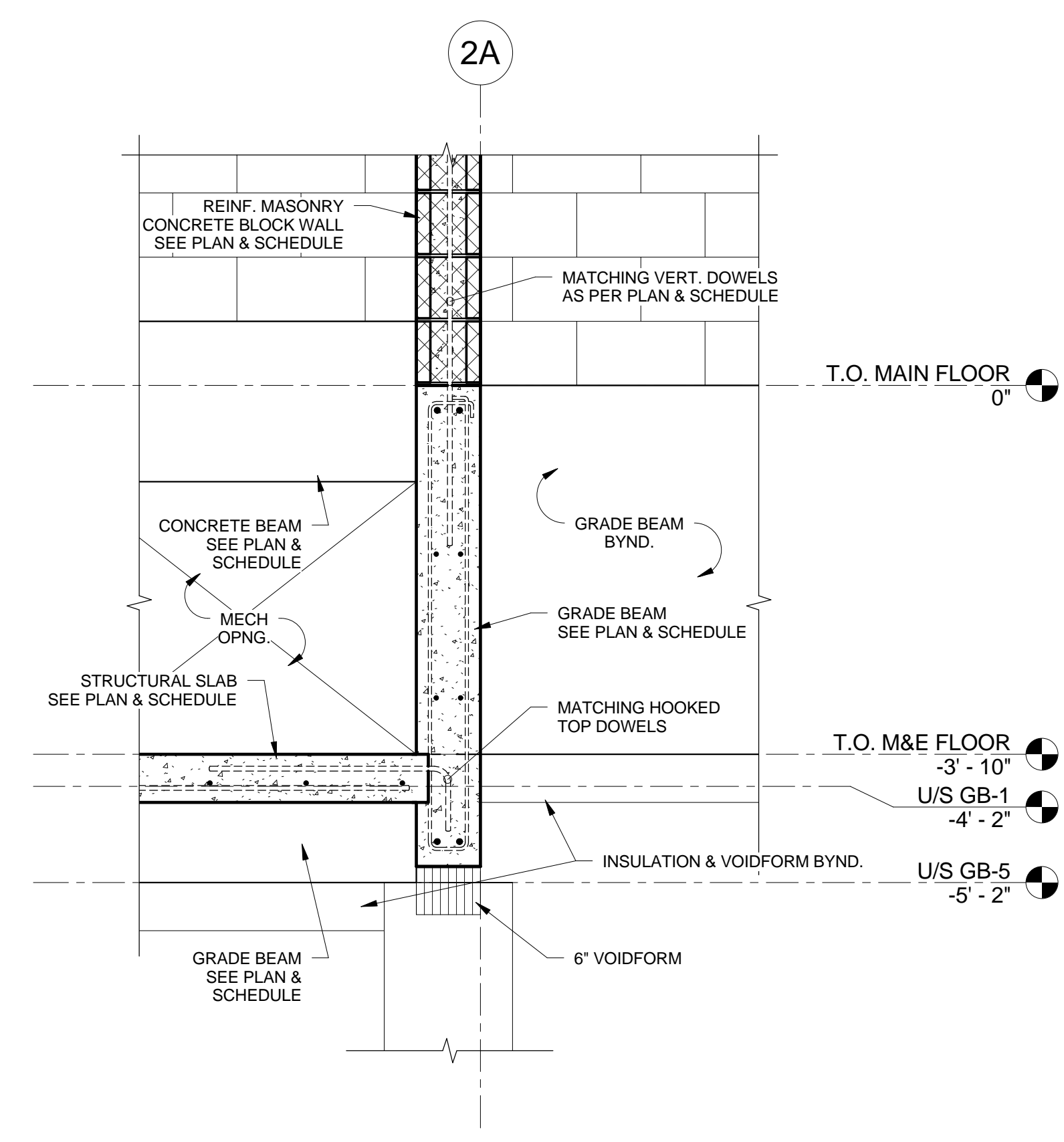
DRAWN BY MNF	SCALE As indicated	DRAWING NO. <b>S-2A</b>
FILE NO. W15033	DATE APRIL 27, 2016	REVISION NO. 1



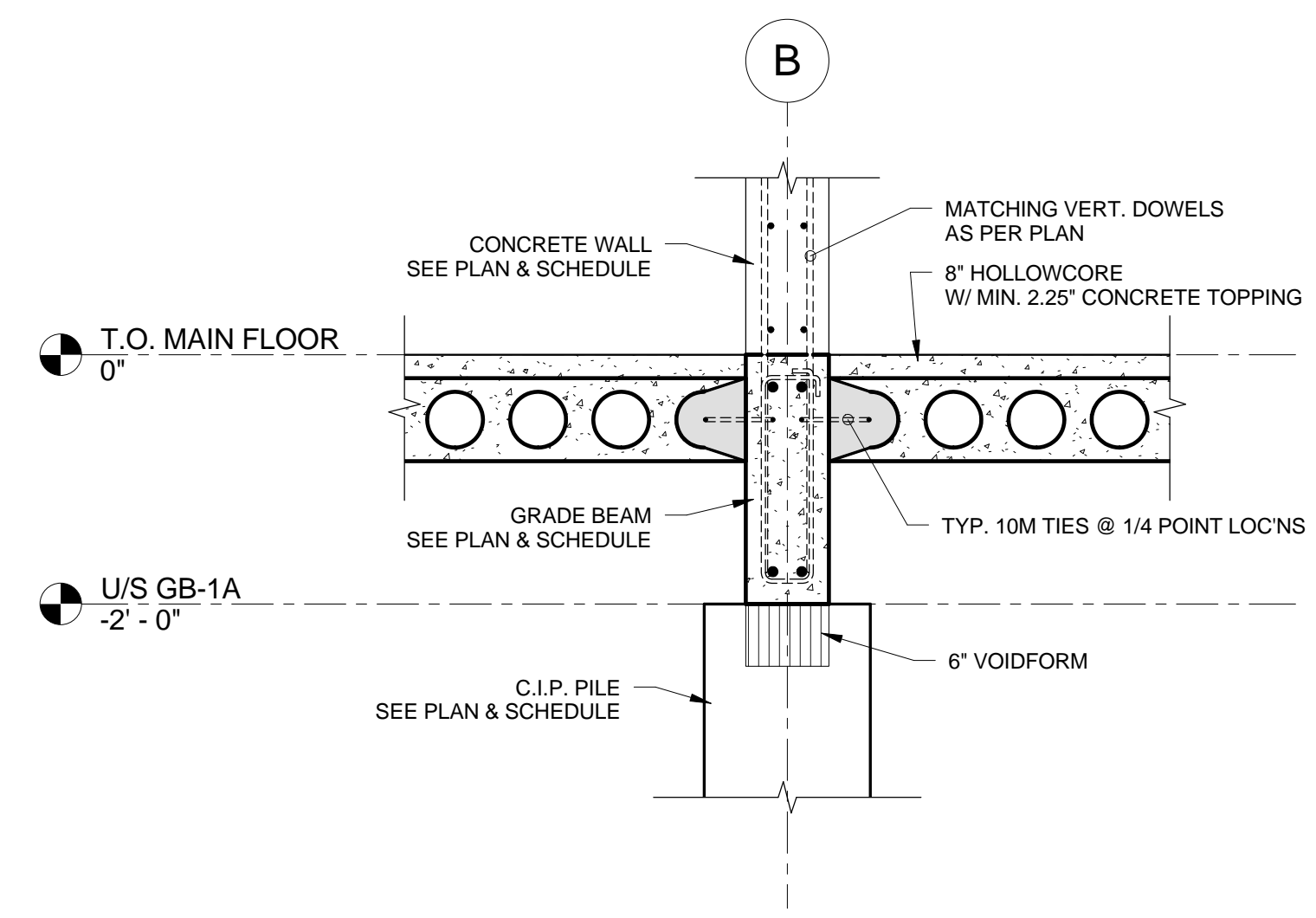
1 SECTION AT GRID 'C'  
S-4 3/4" = 1'-0"



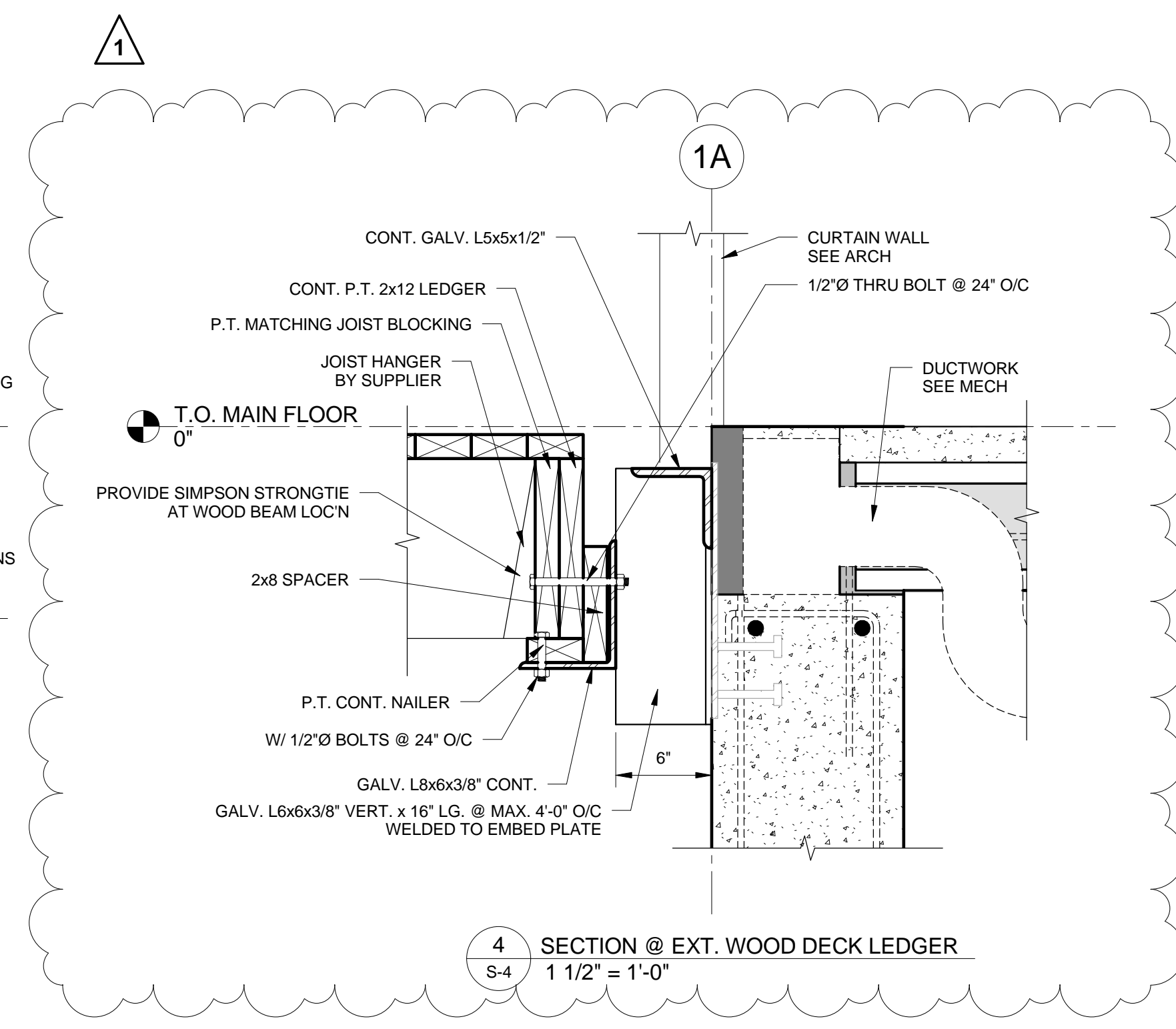
3 SECTION @ EXT. MASONRY WALL  
S-4 3/4" = 1'-0"



5 SECTION @ GRID '2A'  
S-4 3/4" = 1'-0"



2 SECTION @ INT. GRADE BEAM  
S-4 3/4" = 1'-0"



4 SECTION @ EXT. WOOD DECK LEDGER  
S-4 1 1/2" = 1'-0"

1	ISSUED FOR ADDENDUM 2	2016.04.27	JCR
0	ISSUED FOR CONSTRUCTION	2016.03.28	JCR
#	REVISION	DATE	BY

**WOLFROM** ENGINEERING LTD  
CONSULTING ENGINEERS  
345 WARDLAW AVENUE  
WINNIPEG, CANADA R3L 0L5  
(204) 452-0041 FAX: 294-8980  
E-Mail: info@wolfromeng.com



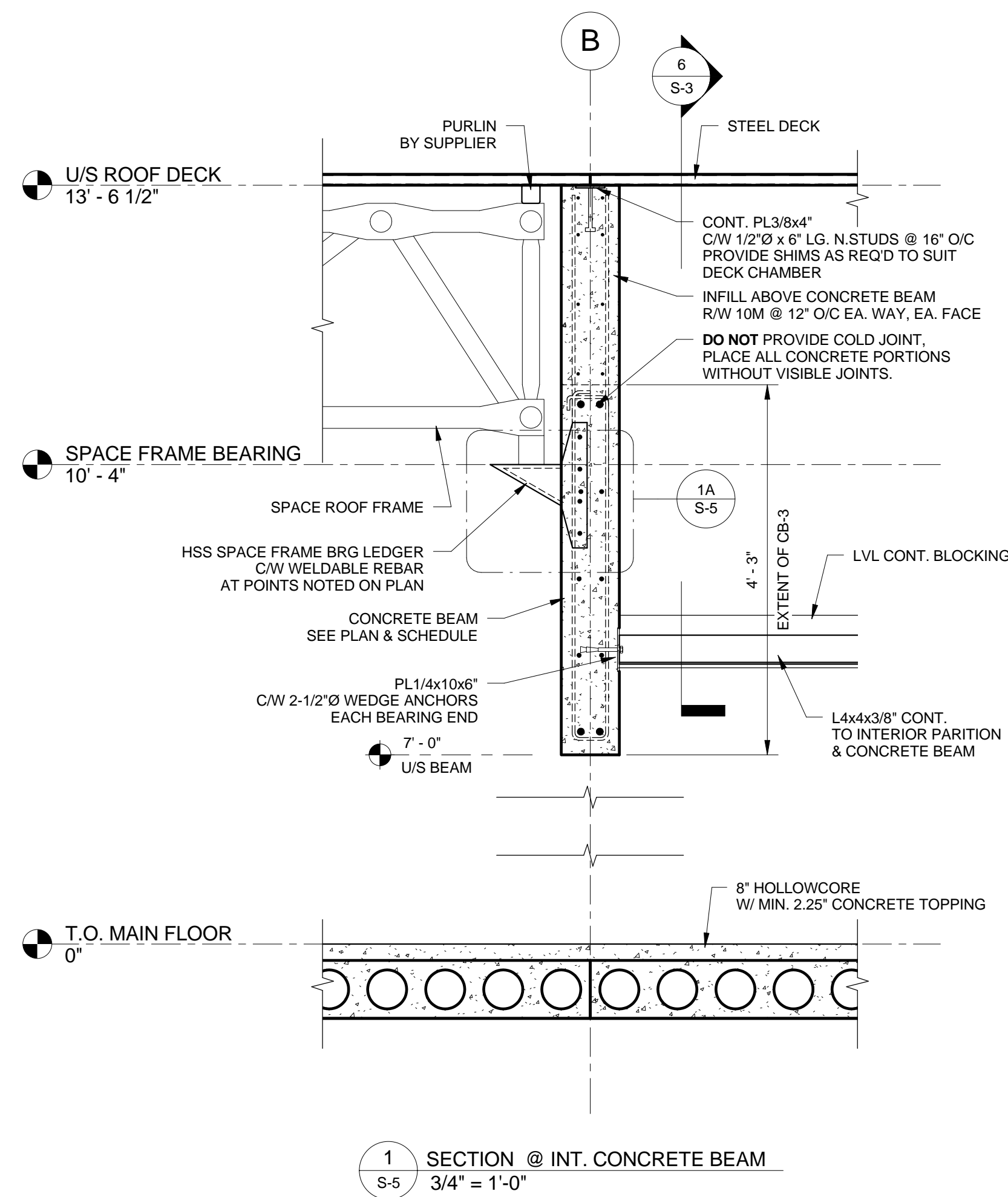
JOB TITLE

**WINDSOR PARK LIBRARY**

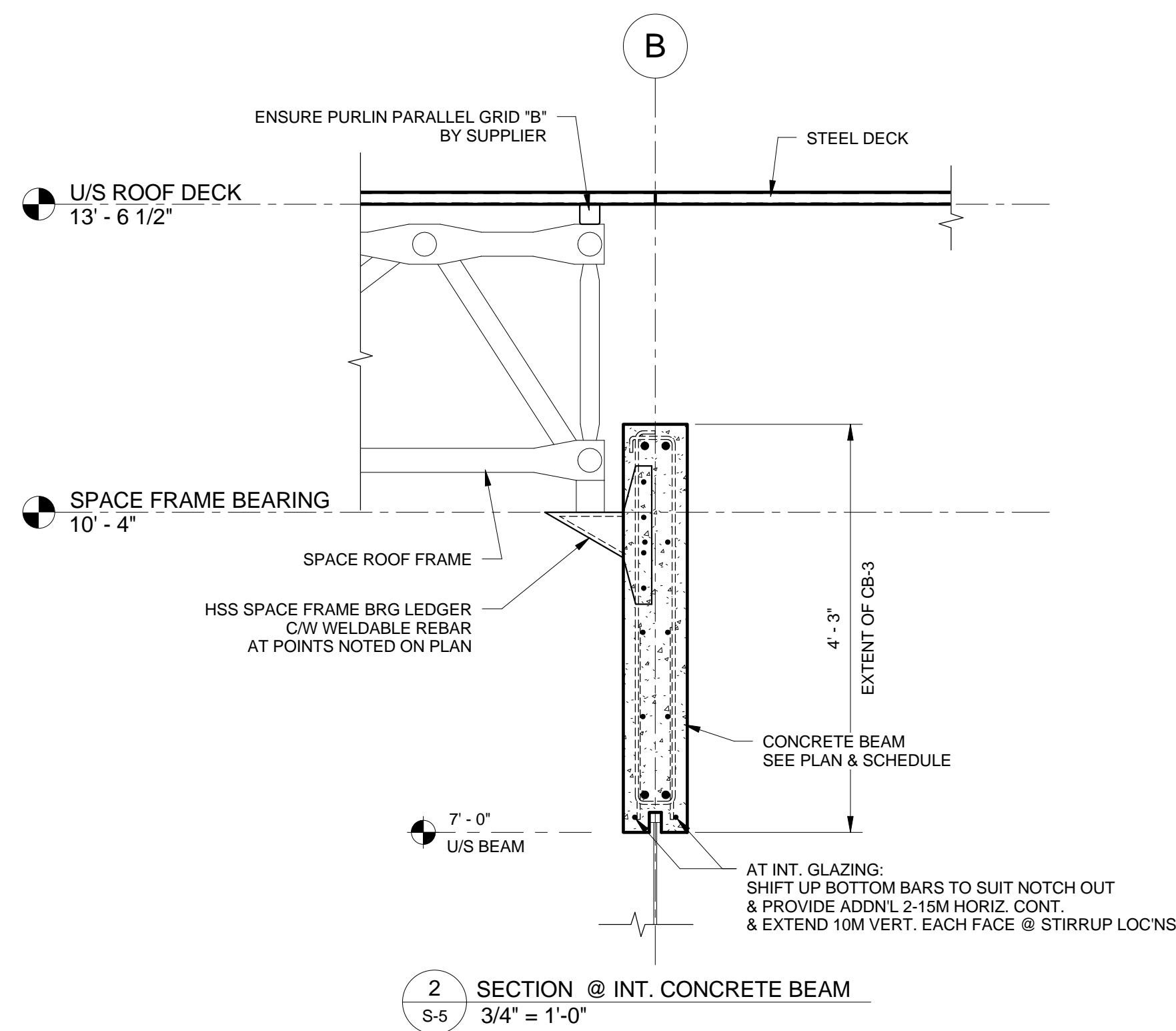
DRAWING TITLE

**SECTIONS & DETAILS**

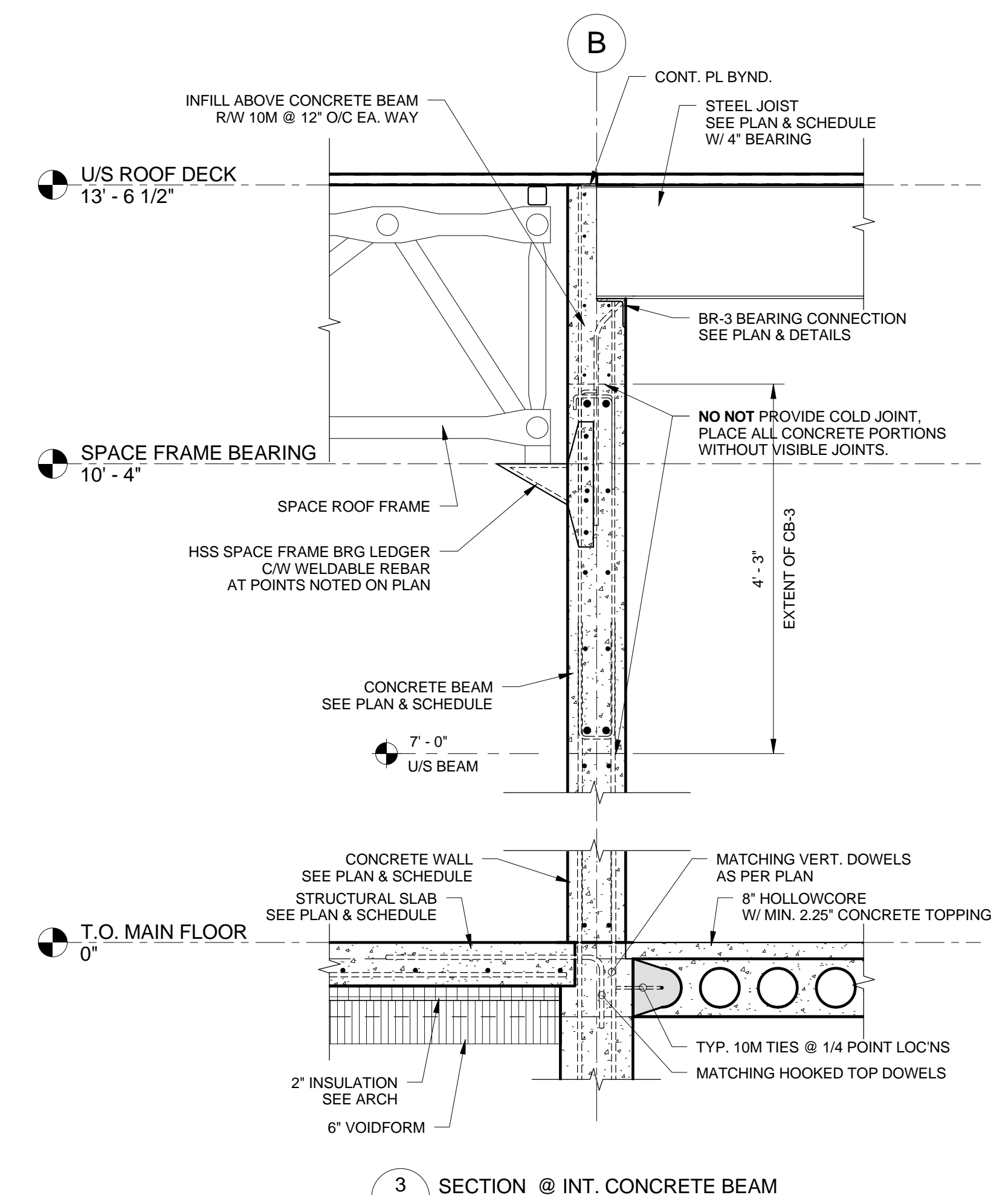
DRAWN BY	SCALE	DRAWING NO.
MANF	As indicated	<b>S-4</b>
FILE NO.	DATE	REVISION NO.
W15033	APRIL 27, 2016	1



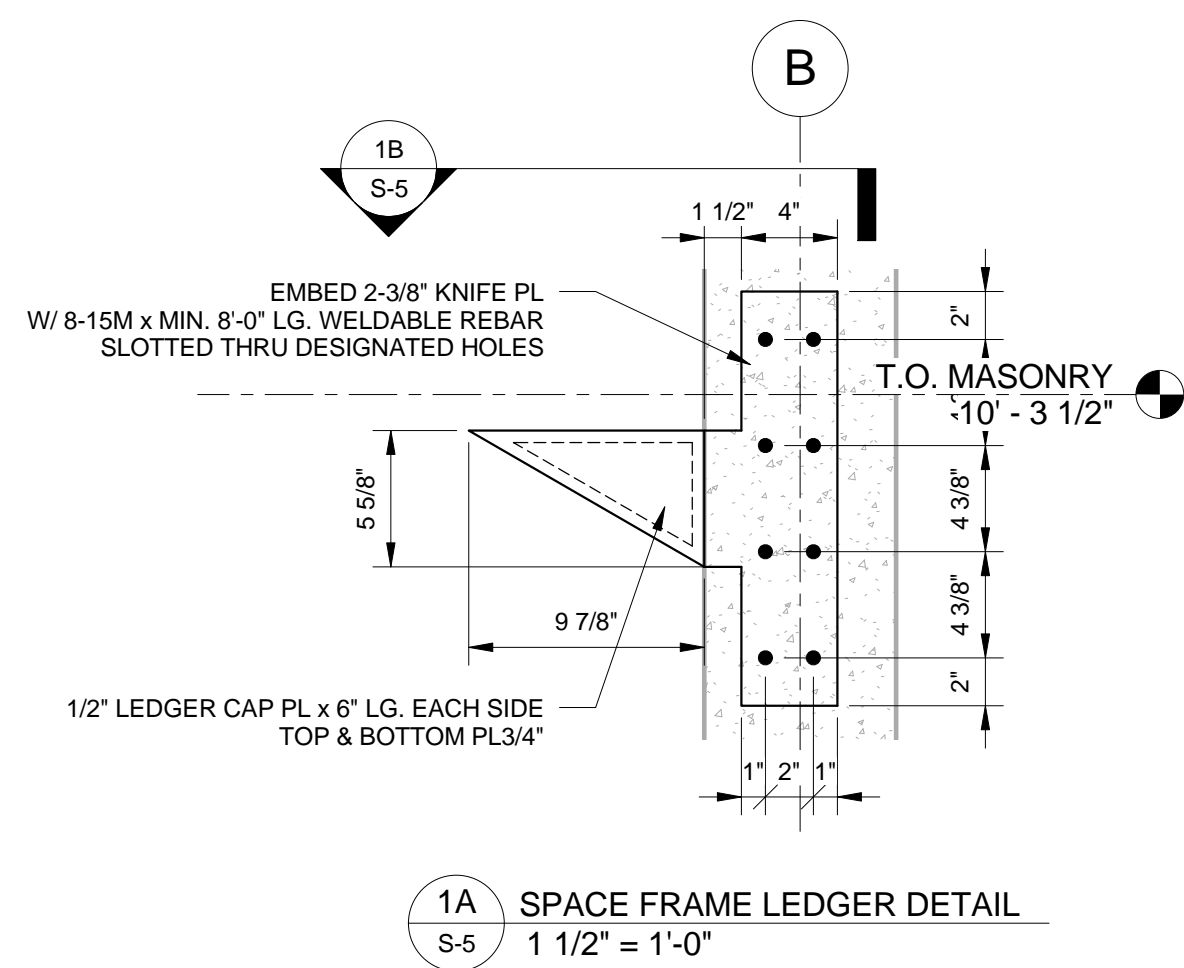
1 SECTION @ INT. CONCRETE BEAM  
S-5 3/4" = 1'-0"



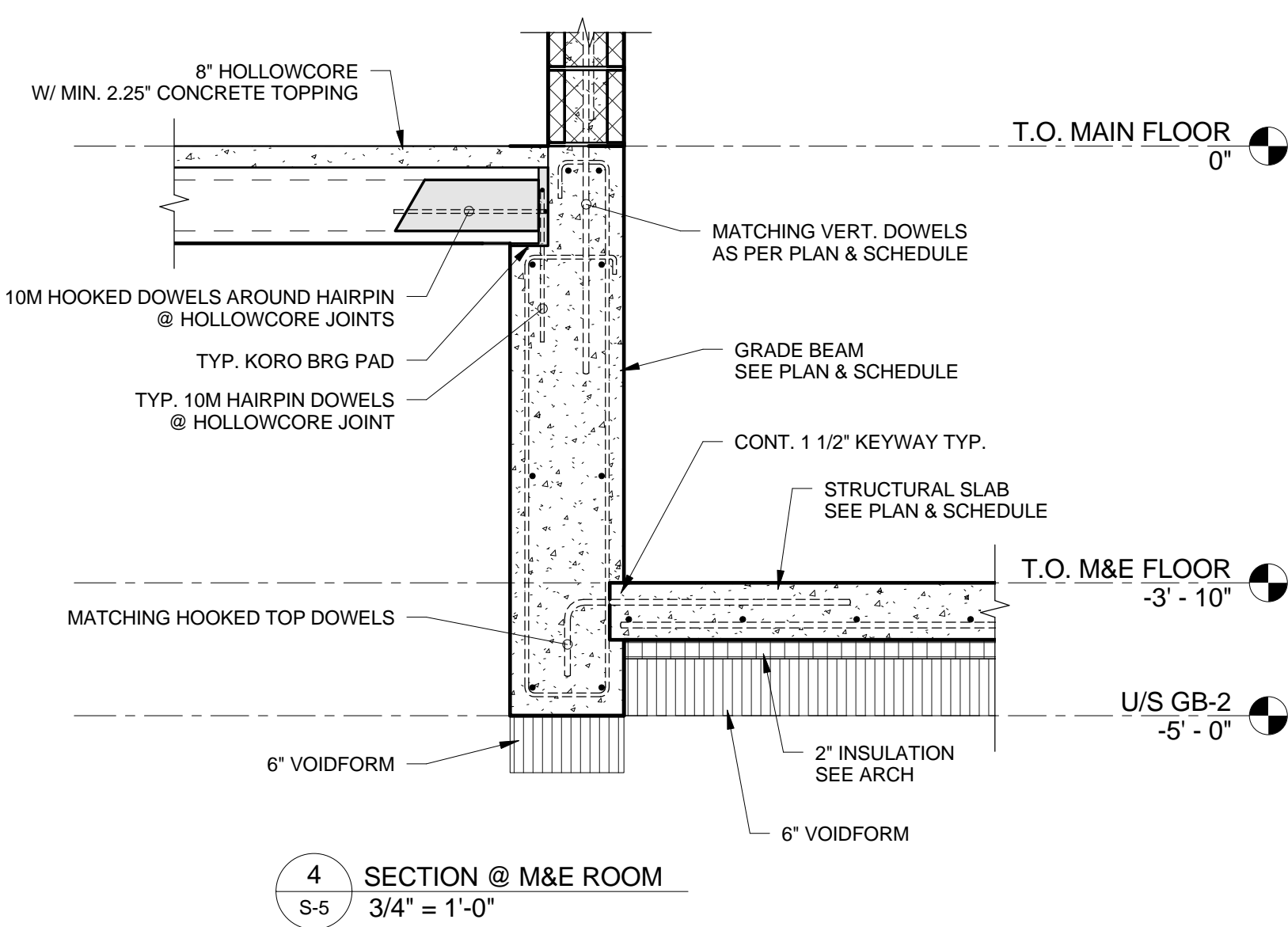
2 SECTION @ INT. CONCRETE BEAM  
S-5 3/4" = 1'-0"



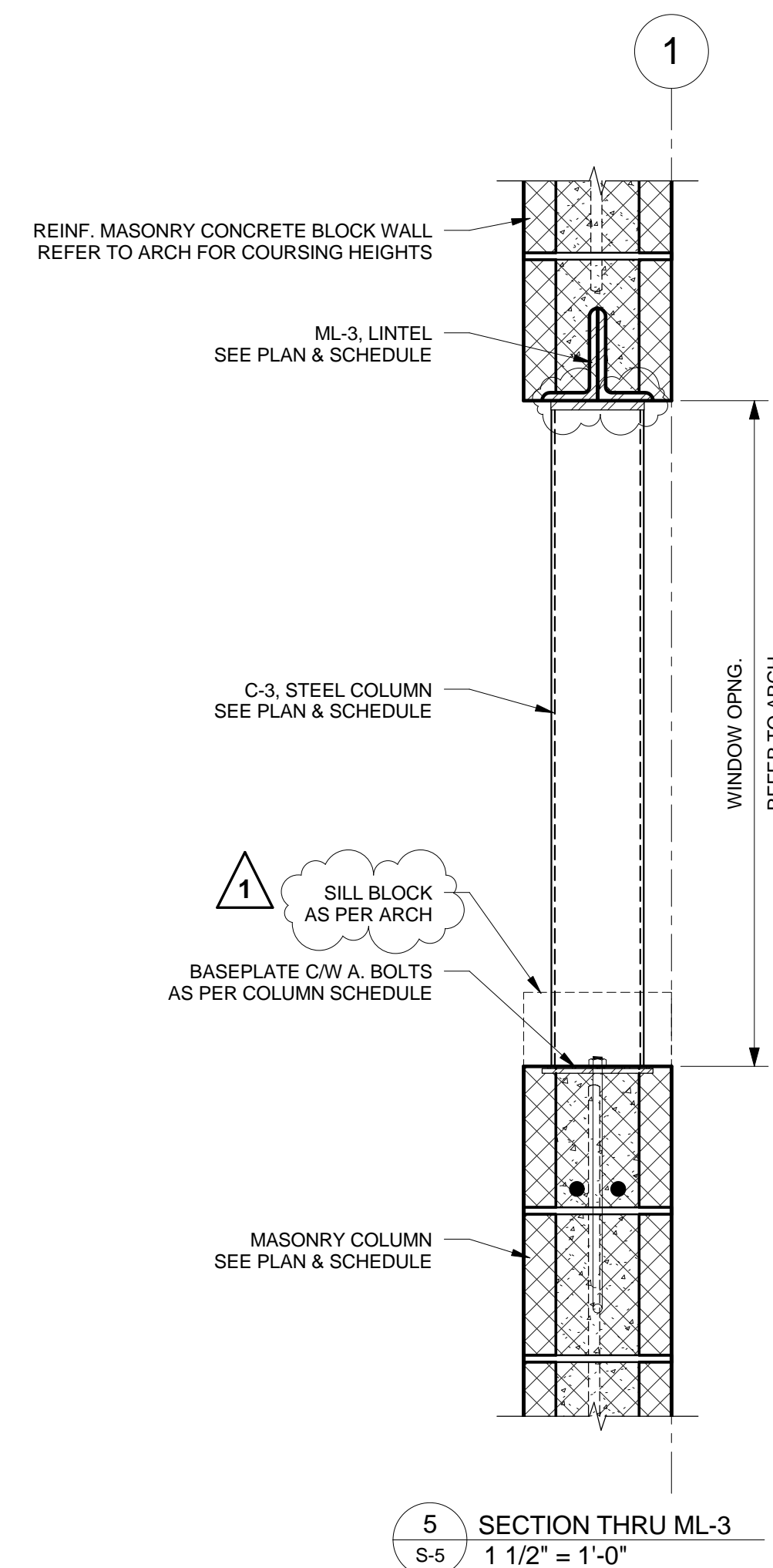
3 SECTION @ INT. CONCRETE BEAM  
S-5 3/4" = 1'-0"



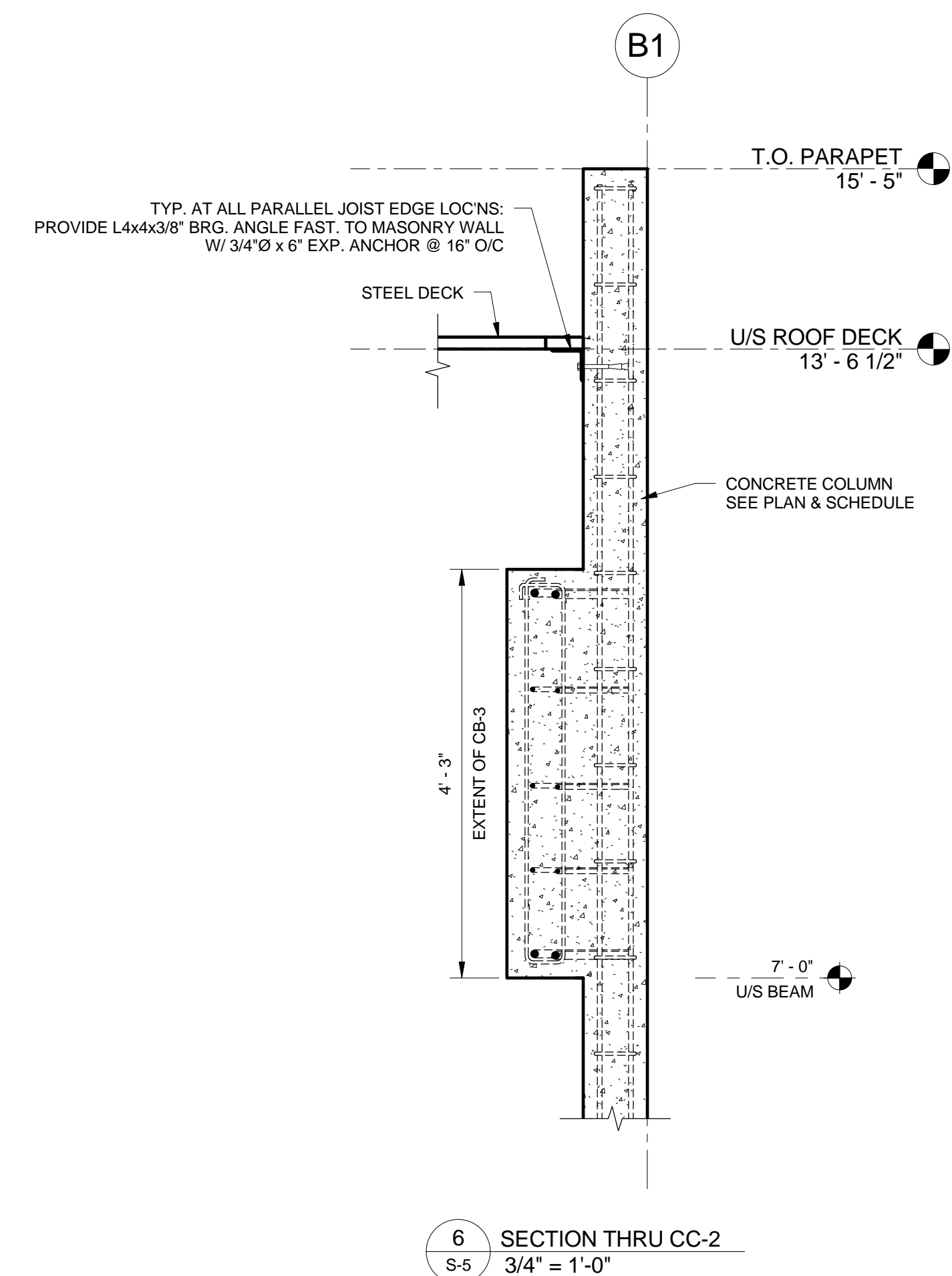
1A SPACE FRAME LEDGER DETAIL  
S-5 1 1/2" = 1'-0"



4 SECTION @ M&E ROOM  
S-5 3/4" = 1'-0"



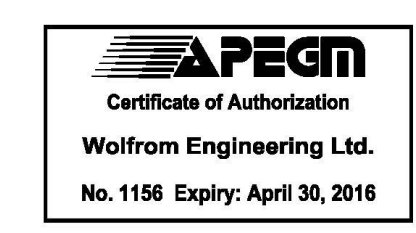
5 SECTION THRU ML-3  
S-5 1 1/2" = 1'-0"



6 SECTION THRU CC-2  
S-5 3/4" = 1'-0"

NO.	DESCRIPTION	DATE	BY
1	ISSUED FOR ADDENDUM 2	2016.04.27	JCR
0	ISSUED FOR CONSTRUCTION	2016.03.28	JCR
#	REVISION	DATE	BY

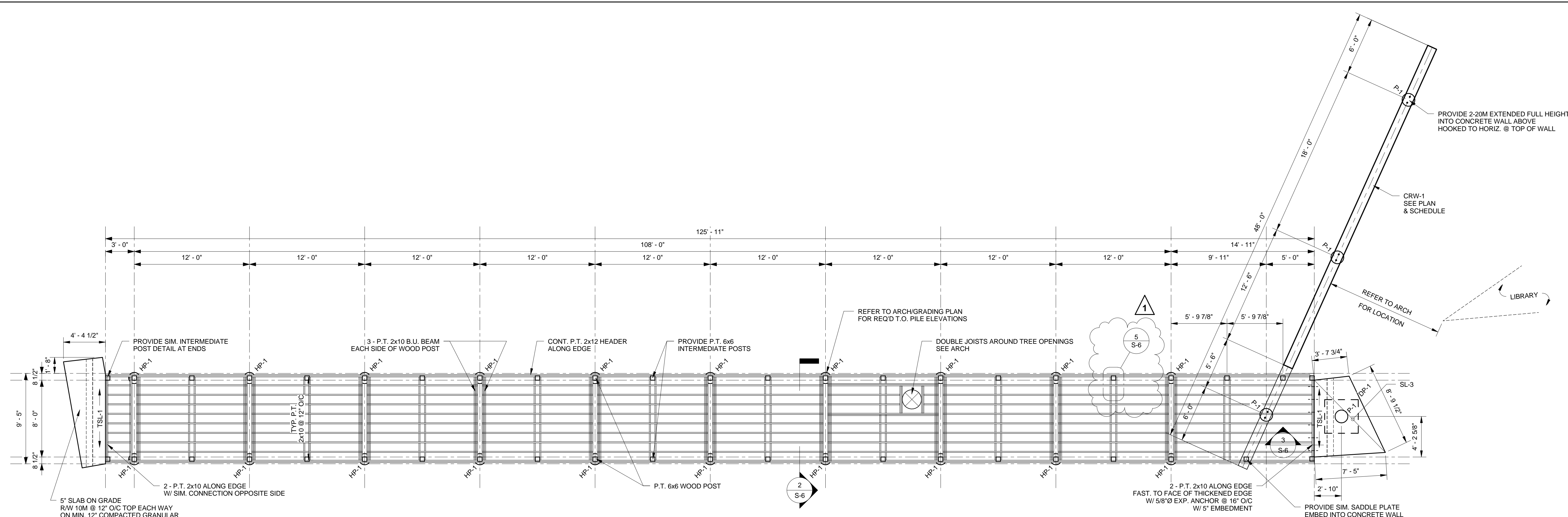
**WOLFROM ENGINEERING LTD**  
CONSULTING ENGINEERS  
345 WARDLAW AVENUE  
WINNIPEG, CANADA R3L 0L5  
(204) 452-0041 FAX: 294-8880  
E-Mail: info@wolfromeng.com



**WINDSOR PARK LIBRARY**

**SECTIONS & DETAILS**

DRAWN BY	SCALE	DRAWING NO.
MANF	As indicated	<b>S-5</b>
FILE NO.	DATE	REVISION NO.
W15033	APRIL 27, 2016	1

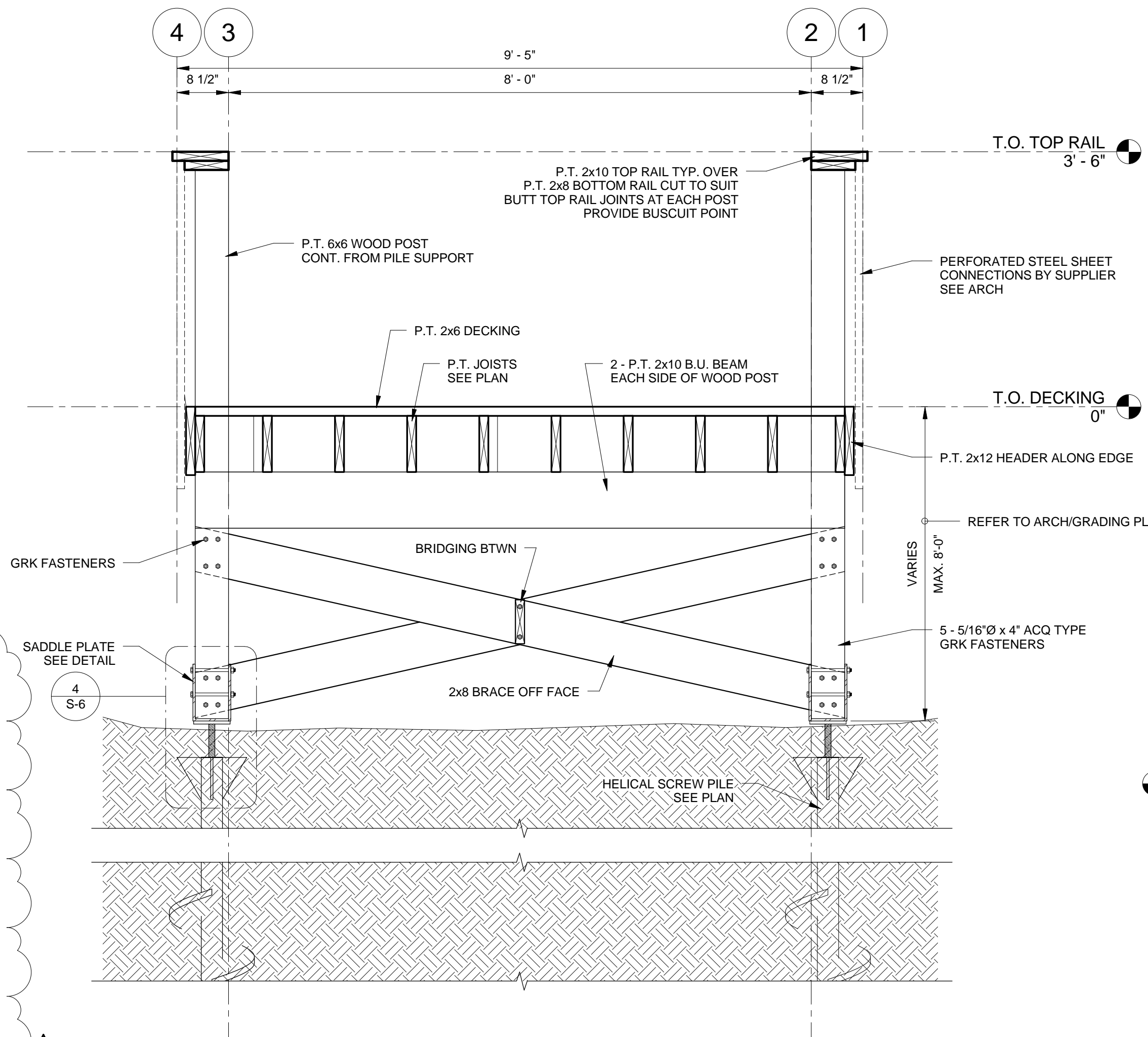


1 BRIDGE FRAMING PLAN  
S-6 3/16" = 1'-0"

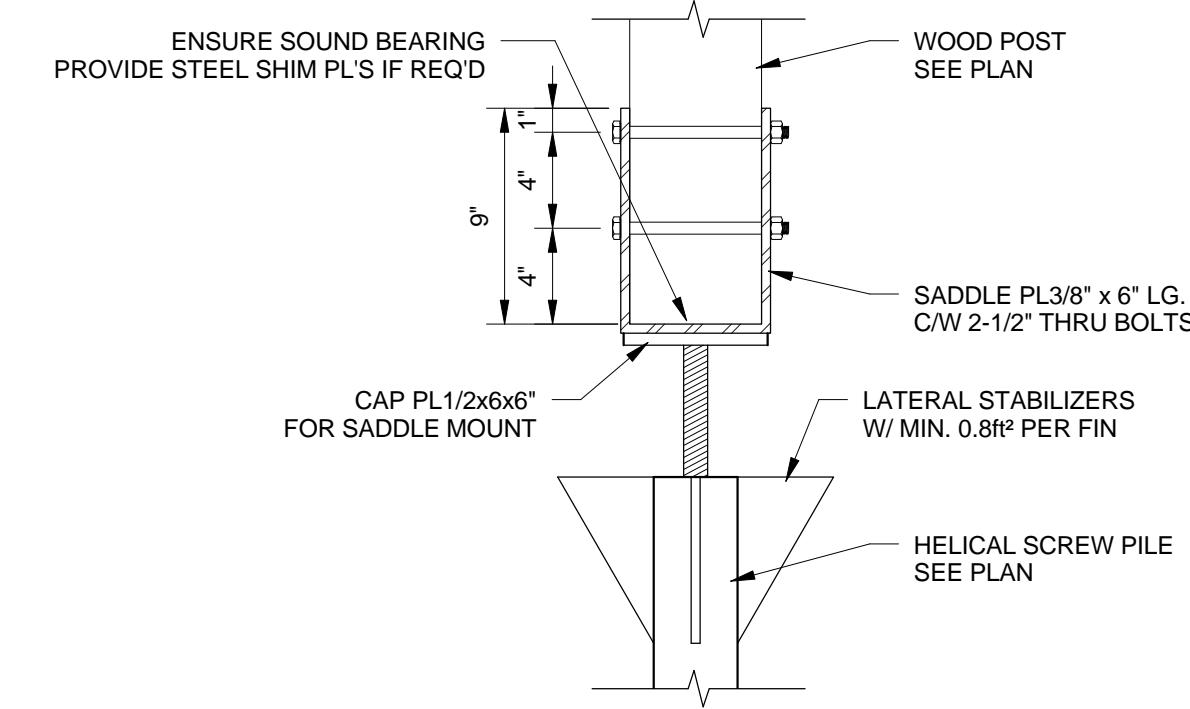
DESIGN LOADS:  
LIVE: 4.8 kPa  
DEAD: SELF WEIGHT

C.I.P. CONCRETE RETAINING WALL SCHEDULE		
MARK	TYPE	REMARKS
CRW-1	12' x 3'-0" CONCRETE WALL	R/W 2-20M TOP & BOTTOM 2-15M MID. EACH FACE 10M STIRRUPS @ 12" O/C ON 6" VOIDFORM T.O. WALL ELEV. 230.80 AS PER ARCH

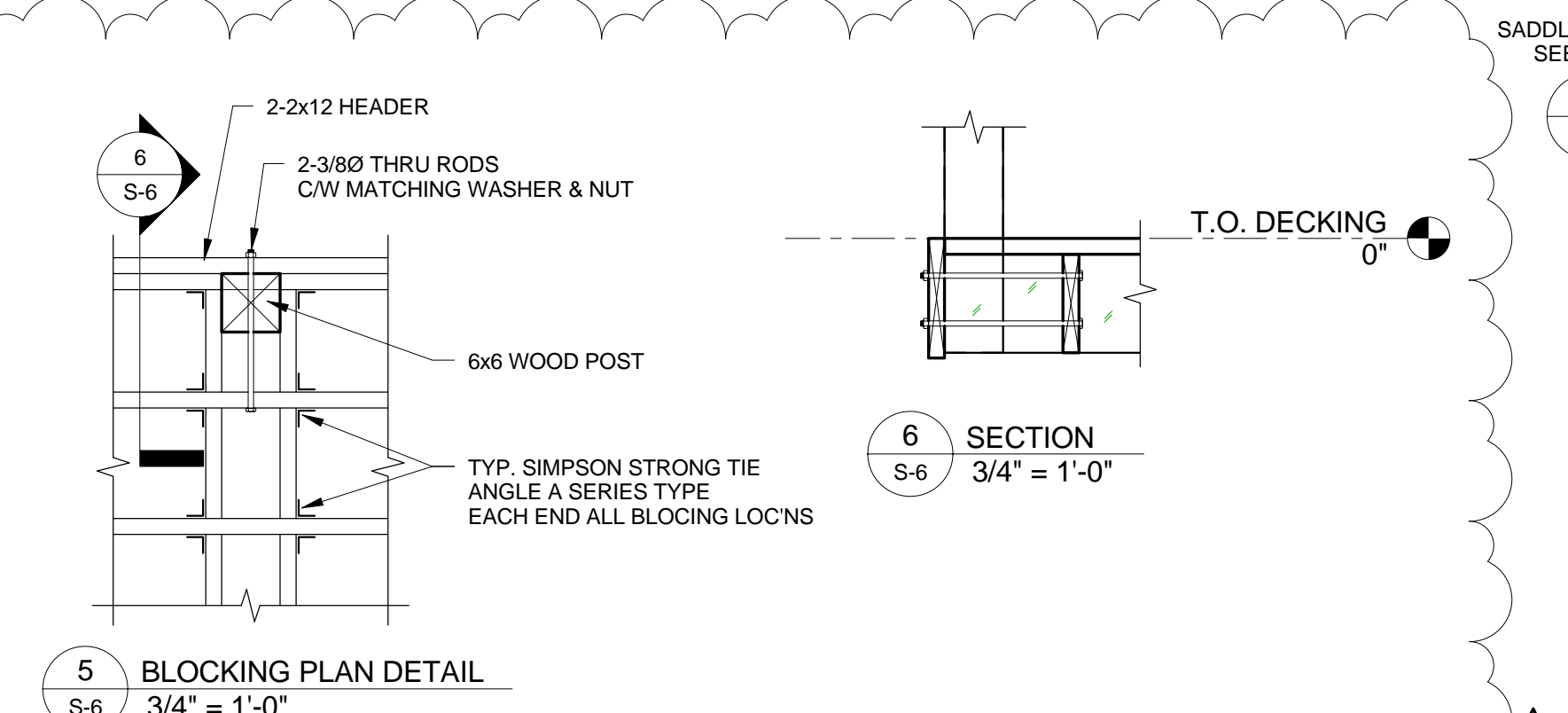
HELICAL STEEL SCREW PILE SCHEDULE		
MARK	TYPE	REMARKS
HP-1	GALV. HELICAL STEEL SCREW PILE CCMC CERTIFIED	MIN. 10K FACTORED LOADING CAPACITY & 7.5K SERVICE LOAD CAPACITY W/ MIN. 3.5" Ø x MIN. 10'-0" SHAFT BELOW GRADE W/ MIN. 0.3" WALL THICKNESS OR GREATER AS REQ'D BY SUPPLIER C/W 1/4" PLATE LATERAL RESTRAINT FINNED SLEEVE @ T.O. GRADE W/ 1/2"x6"x6" TOP MOUNTING PLATE



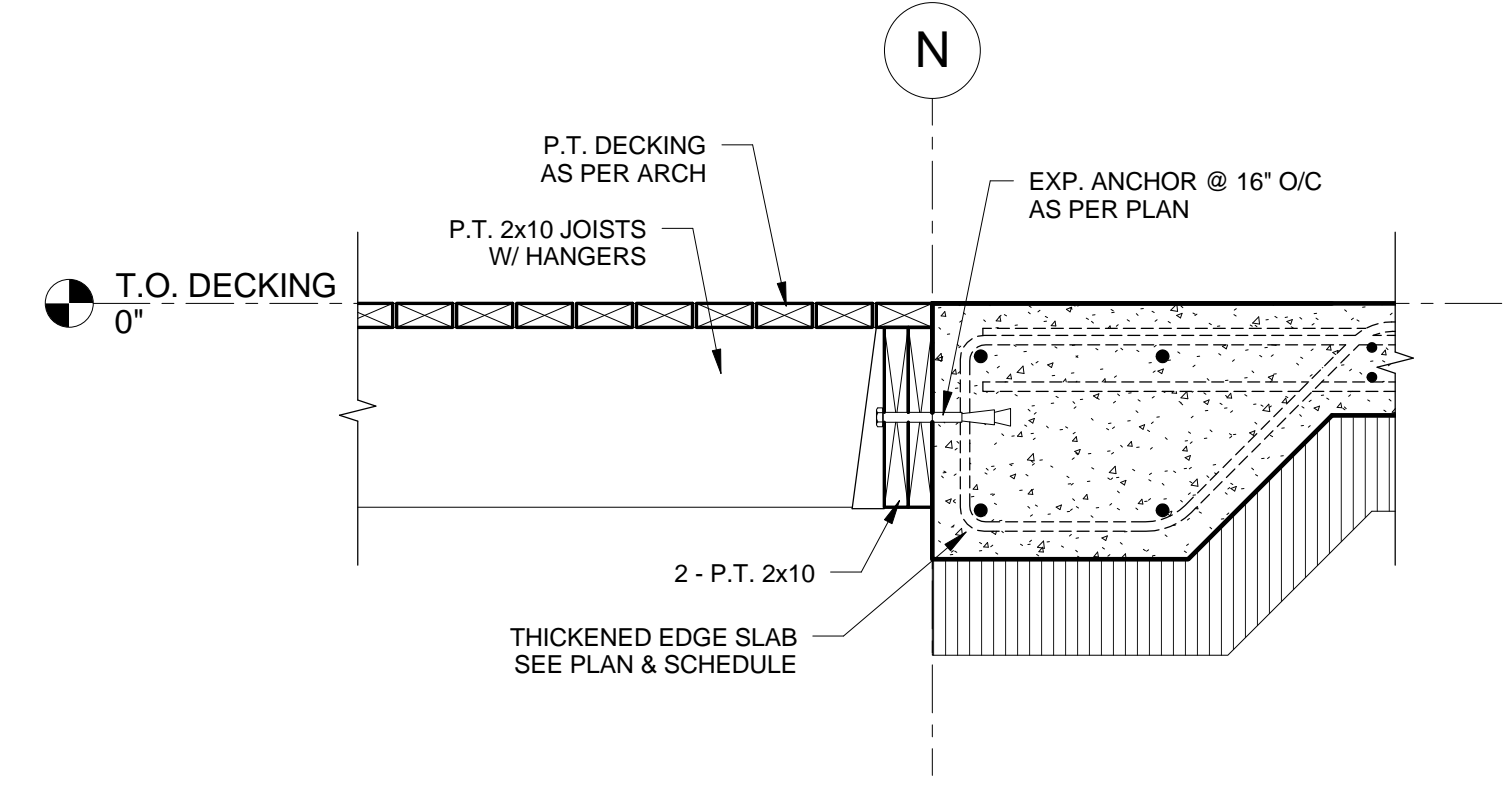
2 BRIDGE SECTION  
S-6 3/4" = 1'-0"



4 SADDLE PLATE DETAIL  
S-6 1 1/2" = 1'-0"



5 BLOCKING PLAN DETAIL  
S-6 3/4" = 1'-0"



3 SECTION @ BRIDGE EDGE  
S-6 1" = 1'-0"

NO.	REVISION	DATE	BY
1	ISSUED FOR ADDENDUM 2	2016.04.27	JCR
0	ISSUED FOR CONSTRUCTION	2016.03.28	JCR
2	REVISION		

**WOLFROM ENGINEERING LTD**  
CONSULTING ENGINEERS  
345 WARDLAW AVENUE  
WINNIPEG, CANADA R3L 0L5  
(204) 452-0041 FAX: 294-8880  
E-Mail: info@wolfromeng.com

**APEGM**  
Certificate of Authorization  
Wolfrom Engineering Ltd.  
No. 1156 Expiry: April 30, 2016



JOB TITLE  
**WINDSOR PARK LIBRARY**  
DRAWING TITLE  
**FOOT-BRIDGE FRAMING PLAN & SECTION & DETAILS**

DRAWN BY	SCALE	DRAWING NO.
MANF	As indicated	<b>S-6</b>
FILE NO.	DATE	REVISION NO.
W15033	APRIL 27, 2016	1