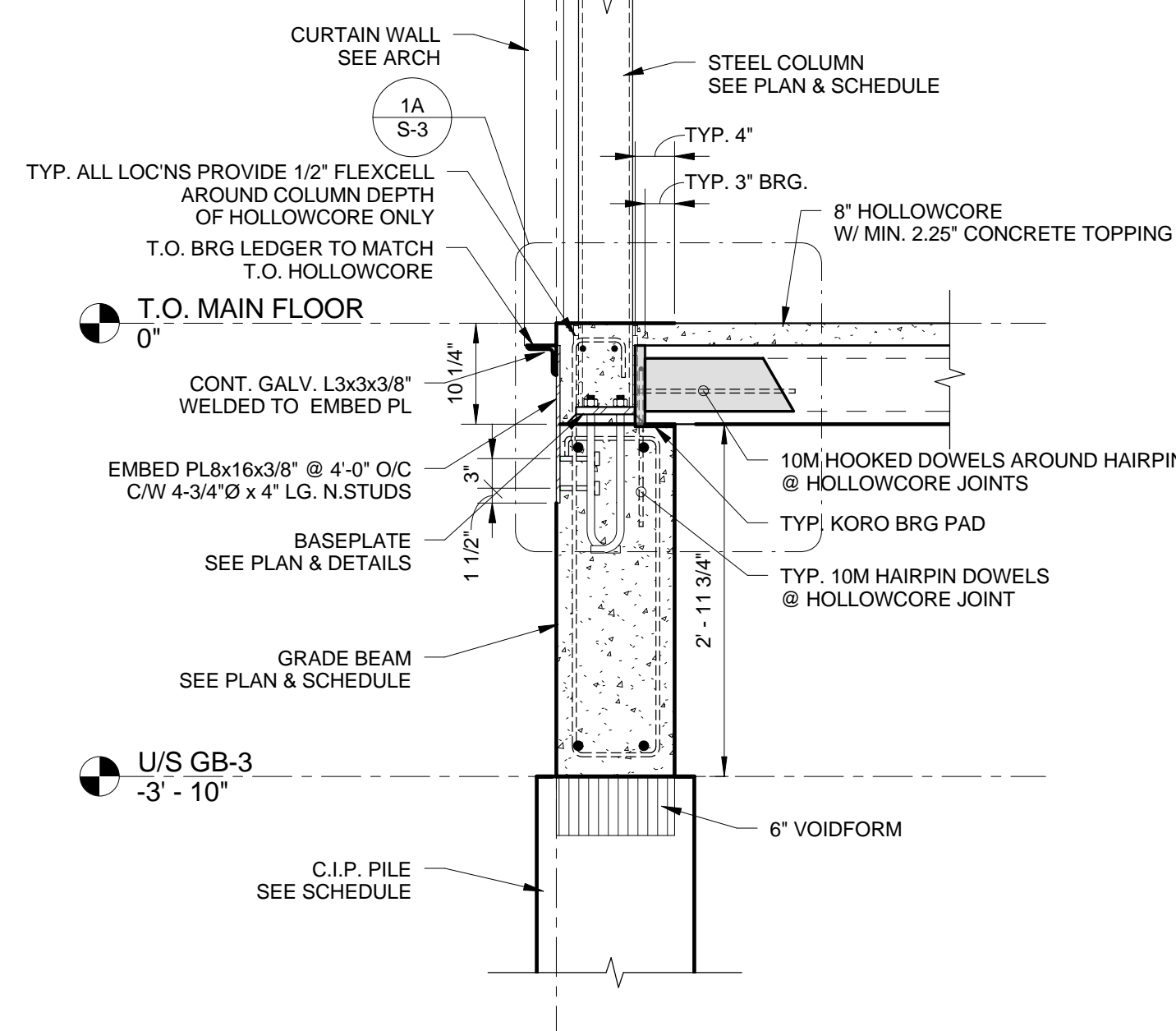
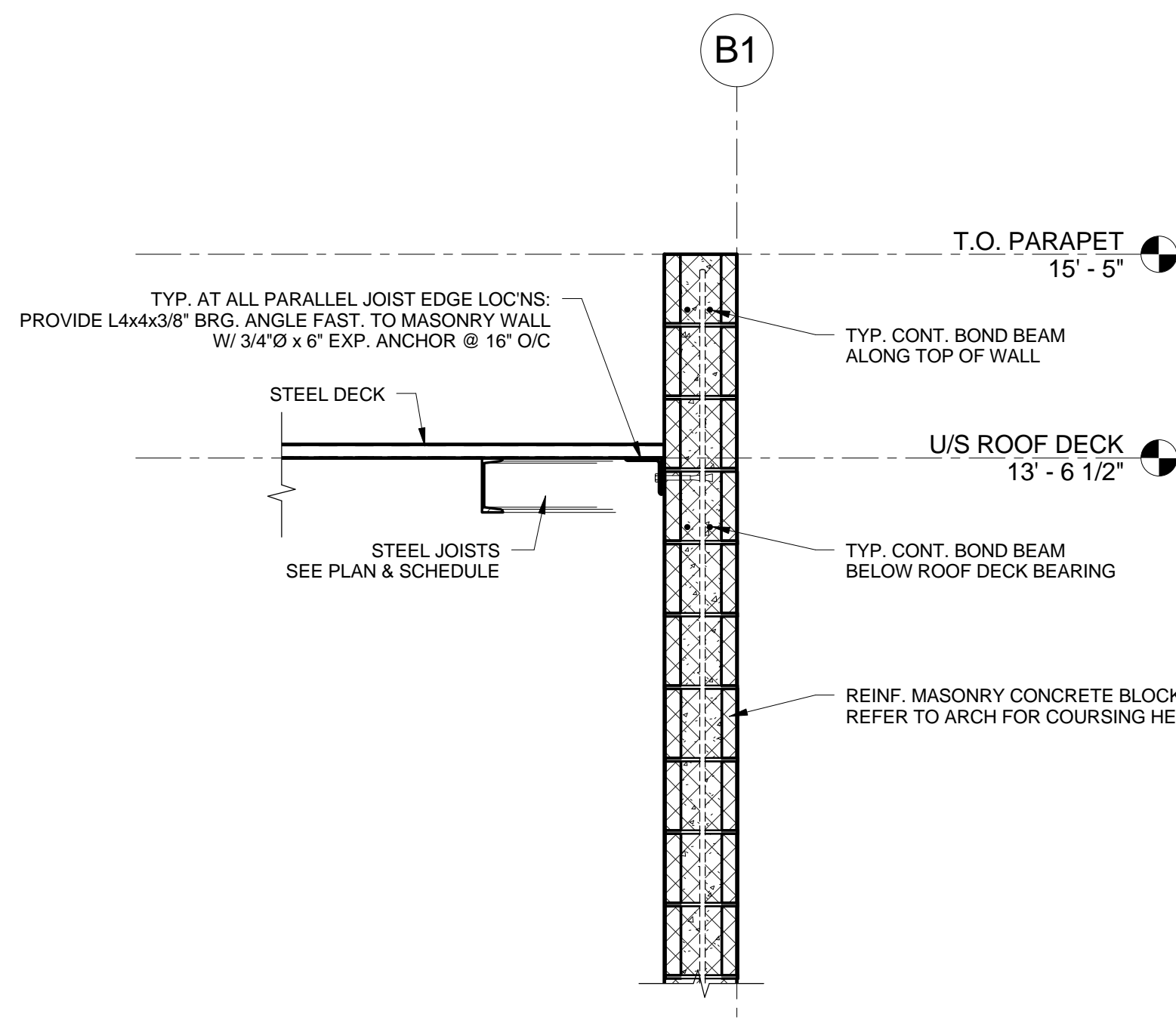
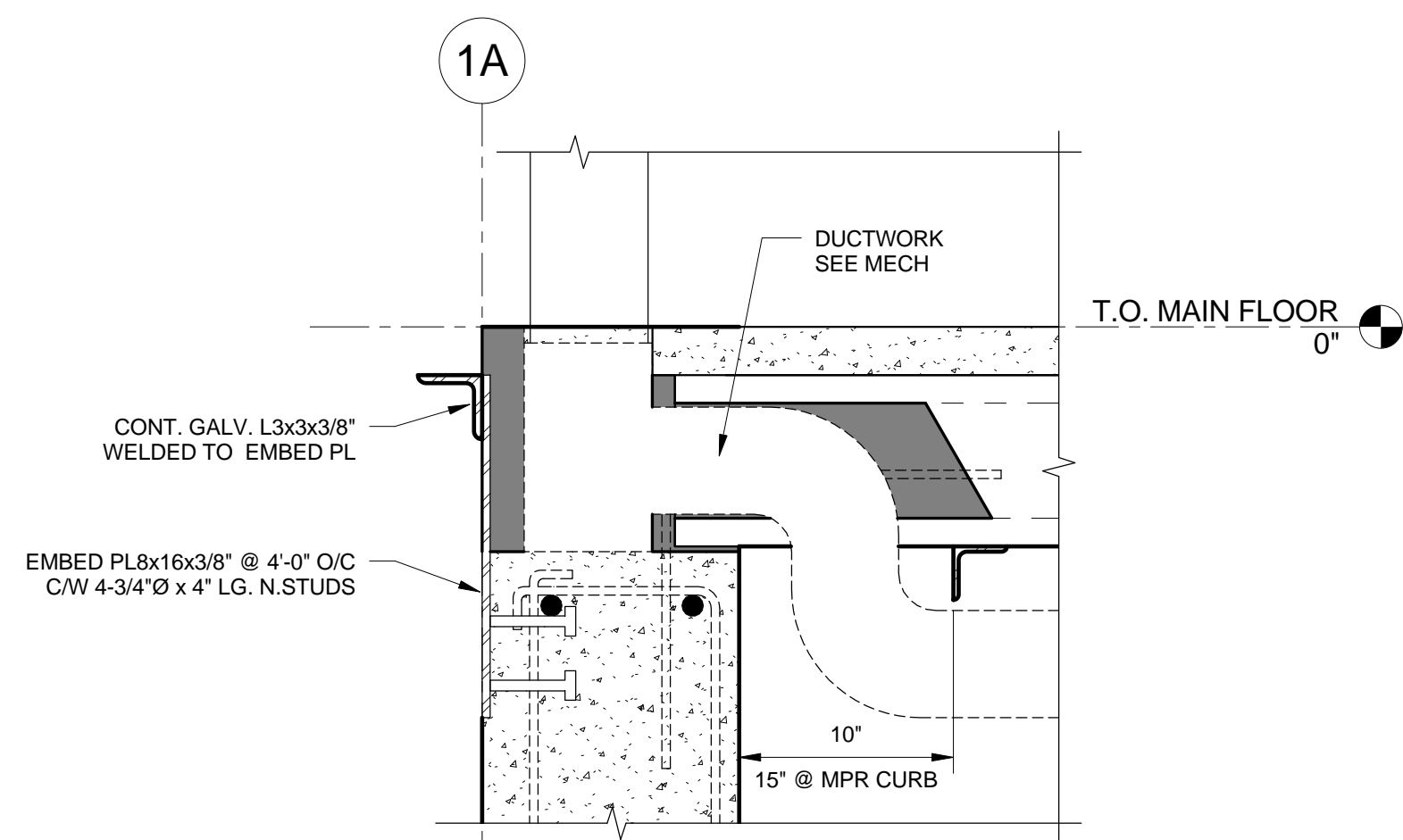


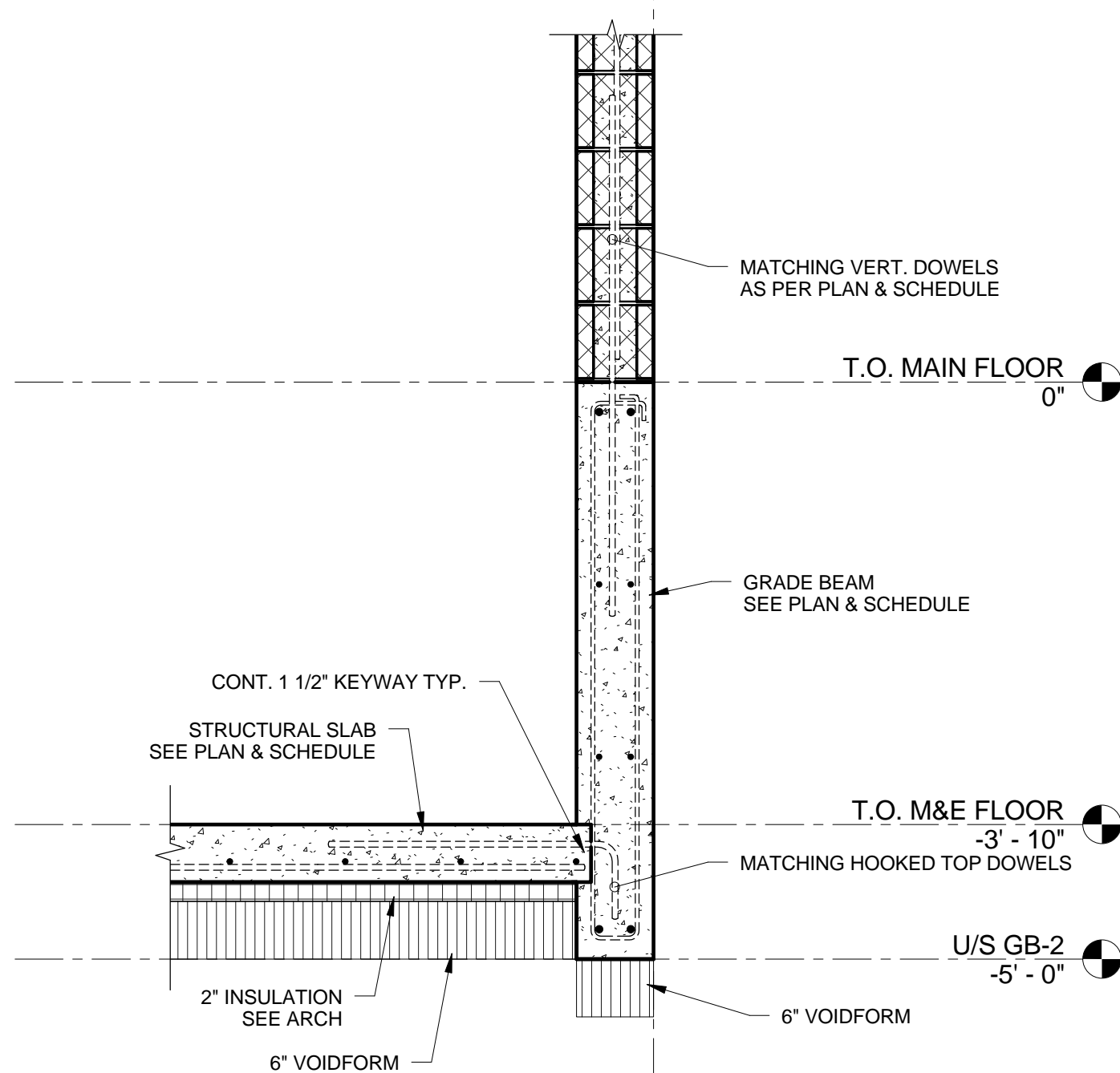
1 SECTION @ EXT. GRADE BEAM
S-3 3/4" = 1'-0"



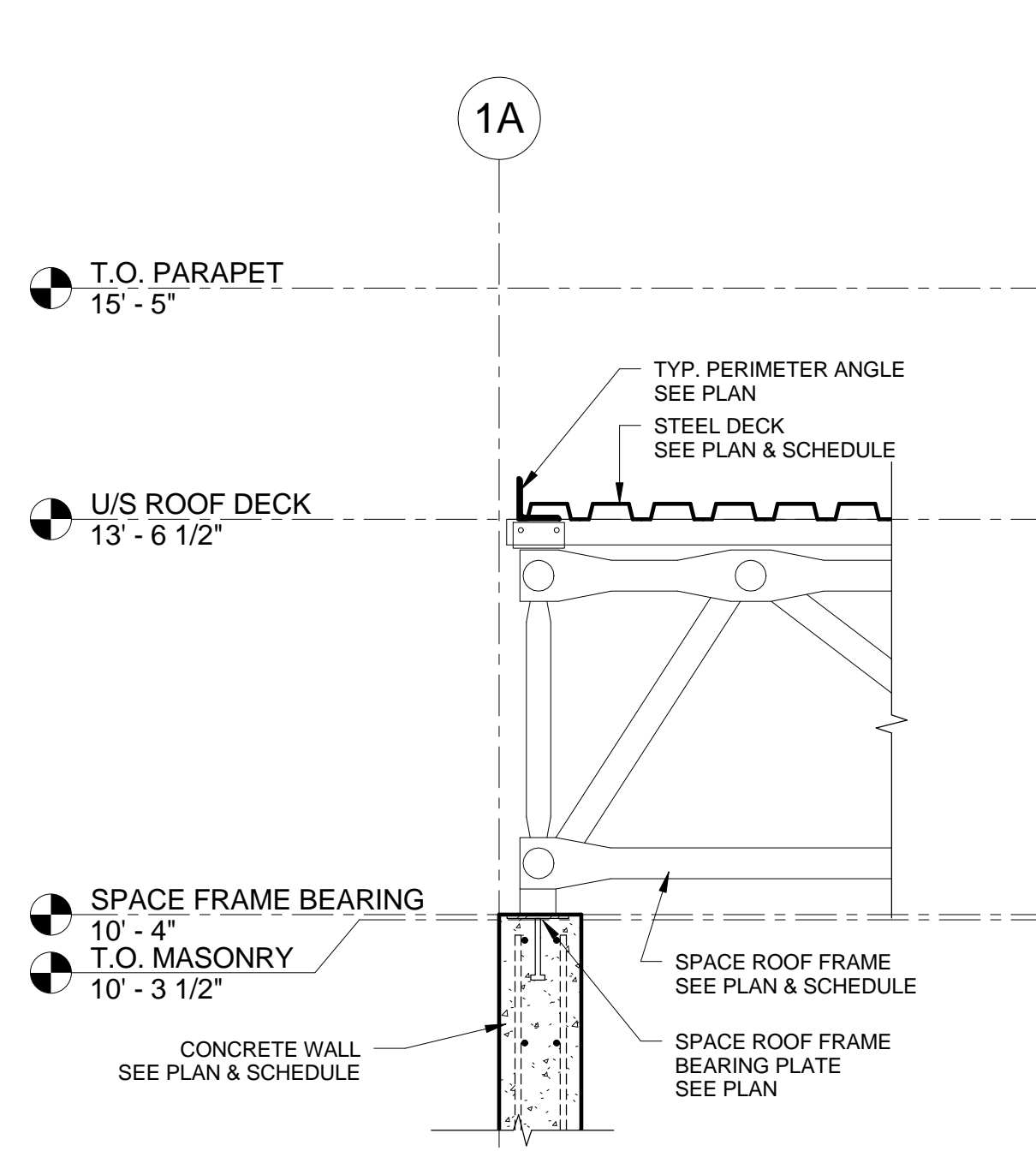
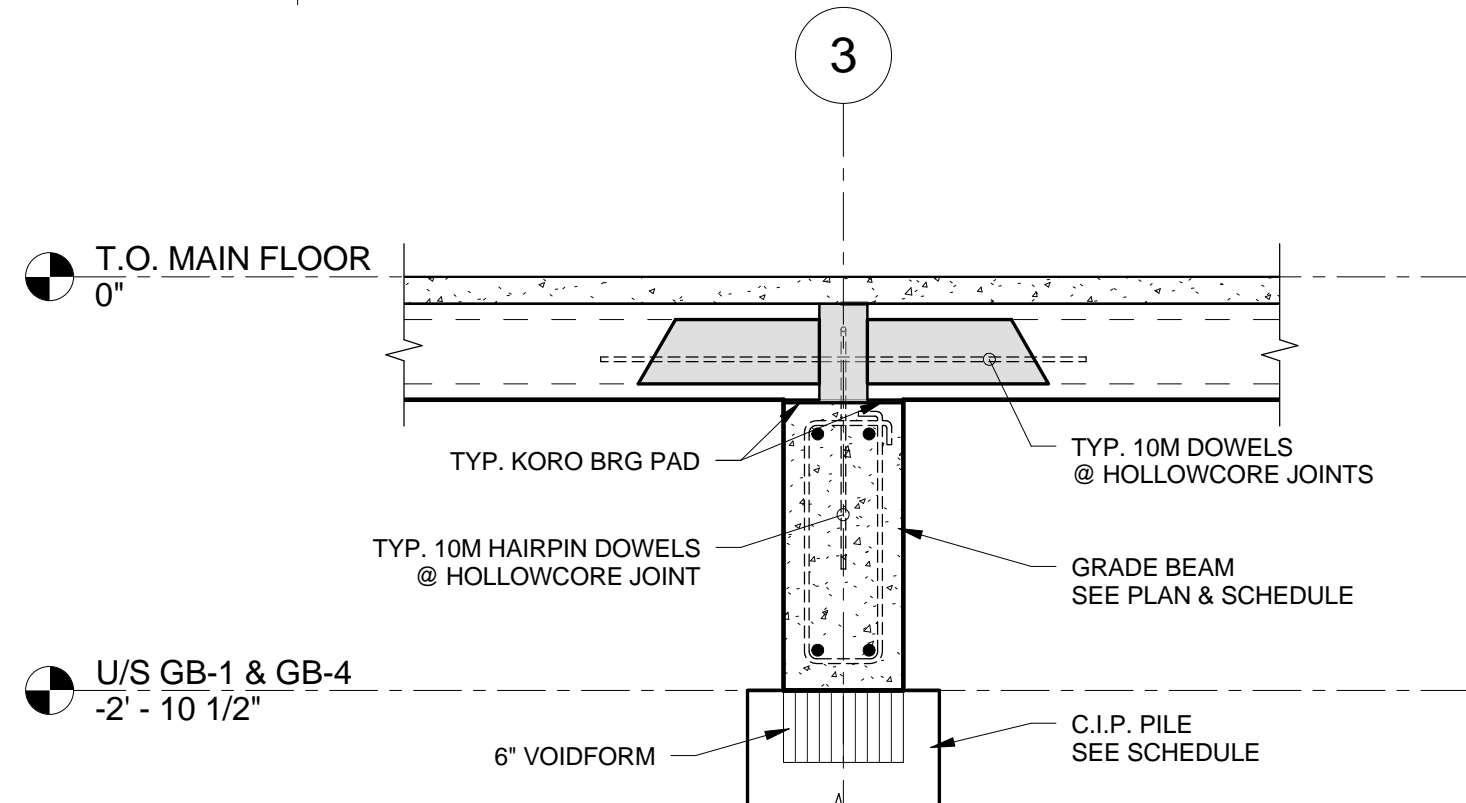
1A NON CURB SECTION @ EXT. GRADE BEAM
S-3 1 1/2" = 1'-0"



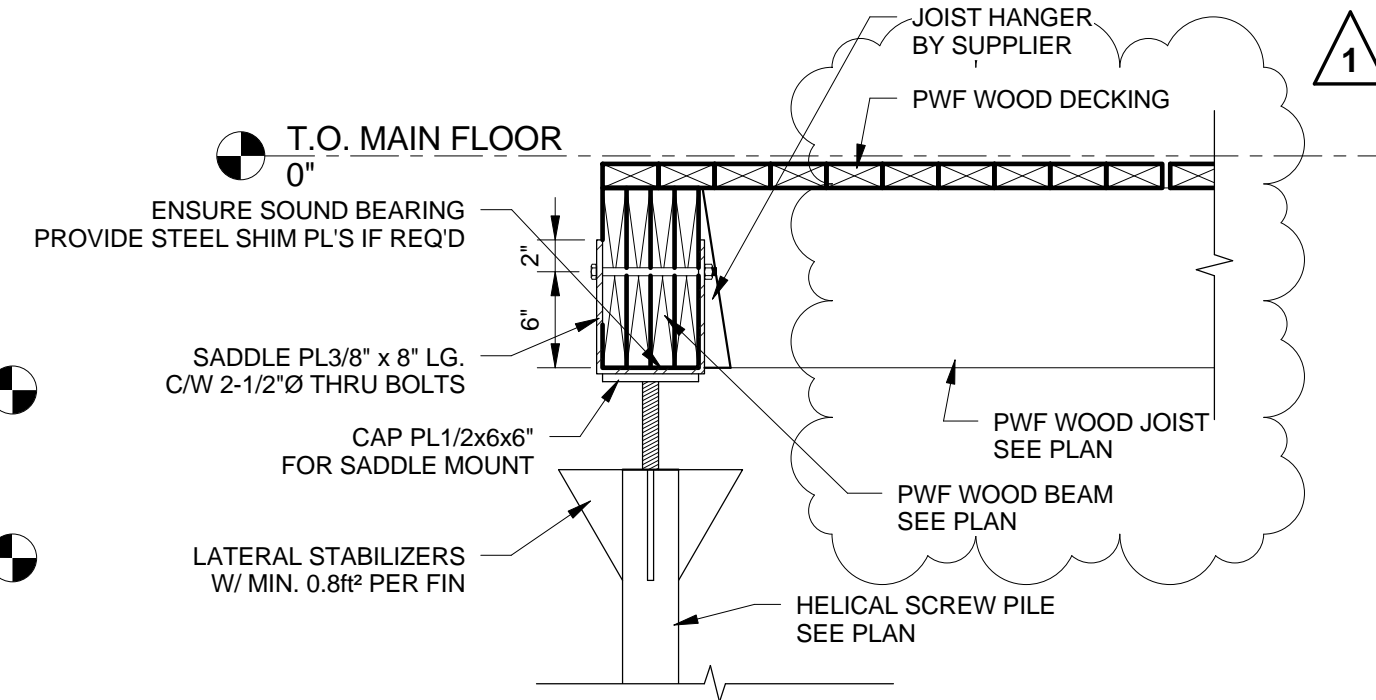
2 MECH ROOM SECTION @ EXT. WALL
S-3 3/4" = 1'-0"



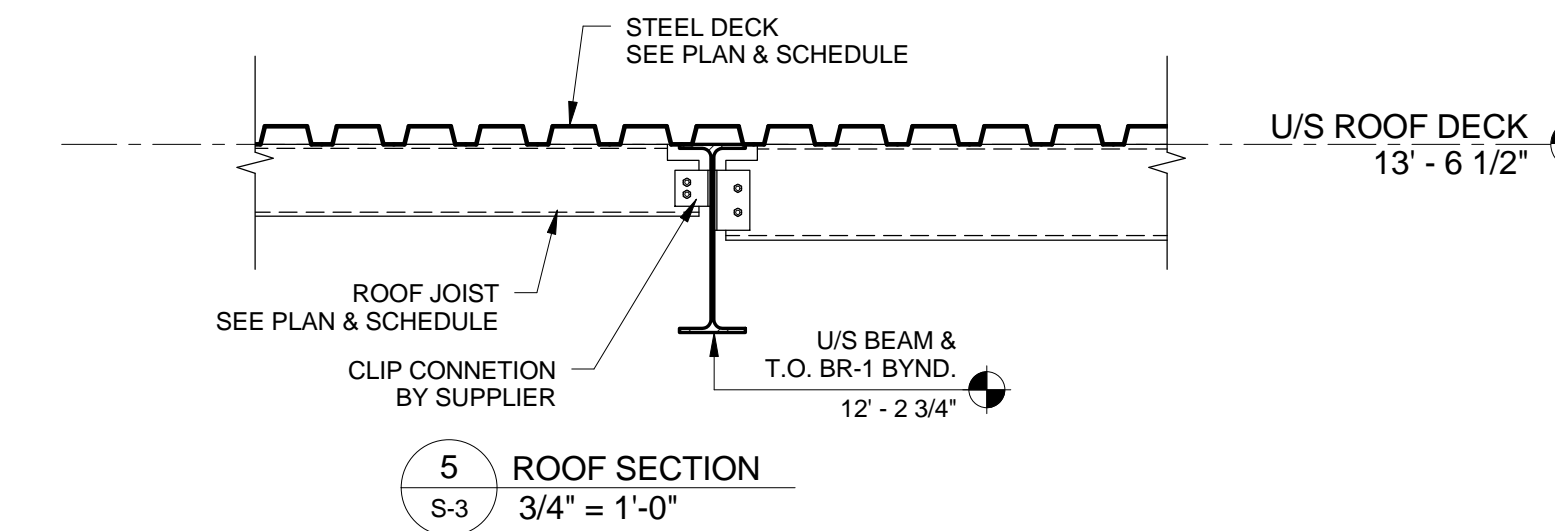
3 SECTION THRU GB-1
S-3 3/4" = 1'-0"



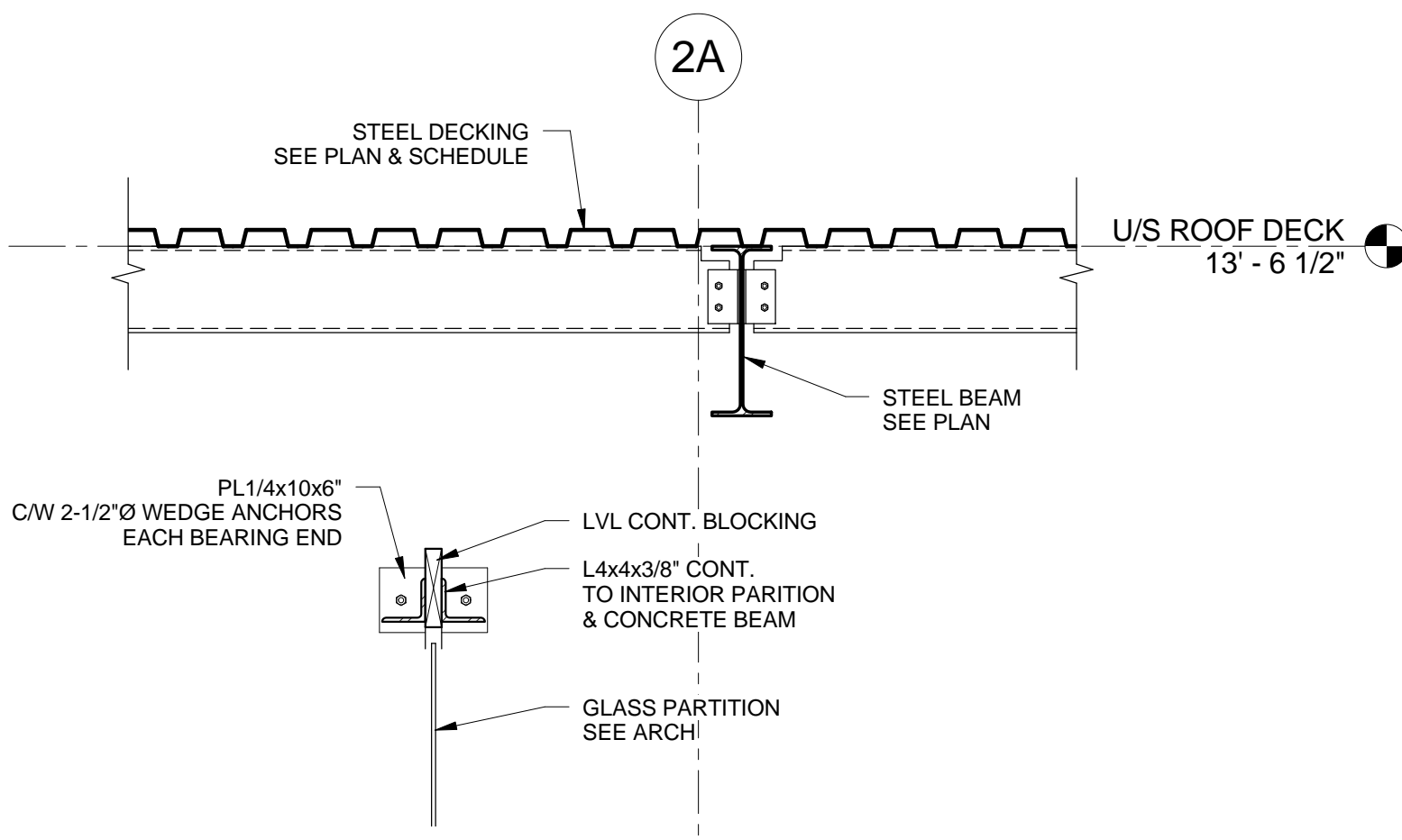
4 SECTION @ EXT. CONCRETE WALL
S-3 3/4" = 1'-0"



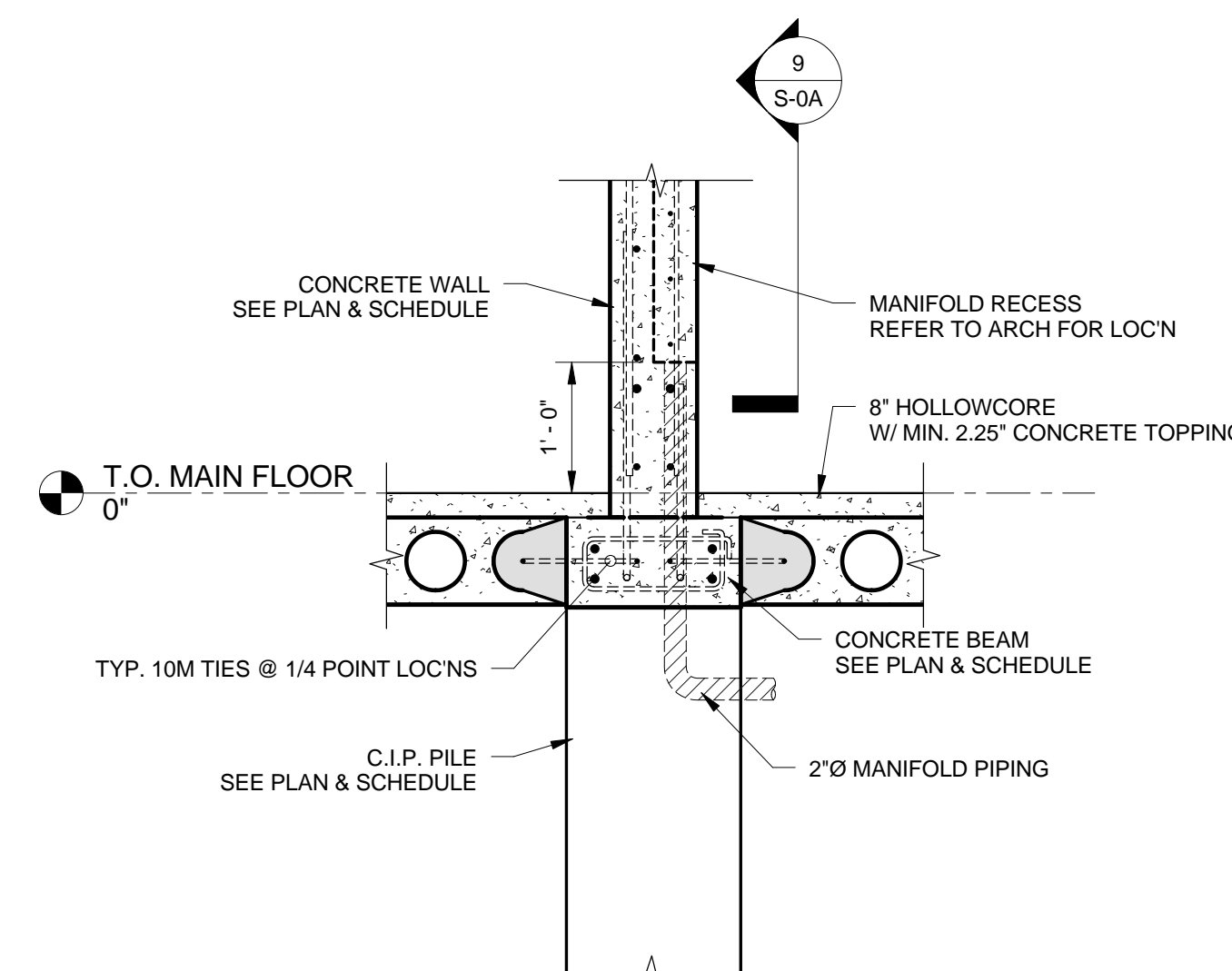
8 SECTION @ EXT. WOOD DECK
S-3 1" = 1'-0"



5 ROOF SECTION
S-3 3/4" = 1'-0"



6 ROOF SECTION @ GLASS PARTITION
S-3 3/4" = 1'-0"



7 SECTION THRU CB-1
S-3 3/4" = 1'-0"

REVISION	DATE	BY
1	2016.04.27	JCR
0	2016.03.28	JCR
2		

WOLFROM ENGINEERING LTD
CONSULTING ENGINEERS
345 WARDLAW AVENUE
WINNIPEG, CANADA R3L 0L5
(204) 452-0041 FAX: 294-8880
E-Mail: info@wolfromeng.com



WINDSOR PARK LIBRARY

SECTIONS & DETAILS

DRAWN BY	SCALE	DRAWING NO.
MANF	As indicated	S-3
FILE NO.	DATE	REVISION NO.
W15033	APRIL 27, 2016	1