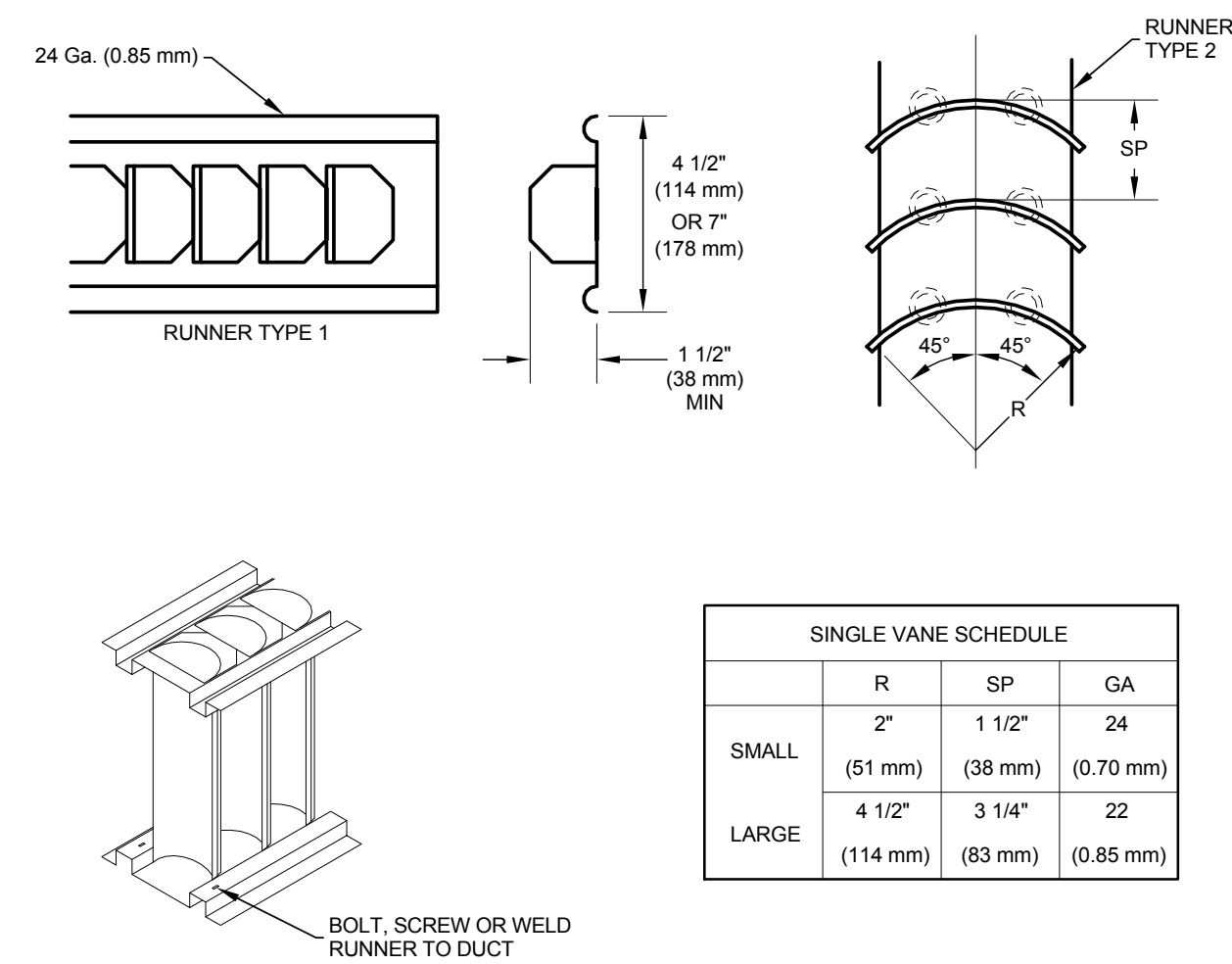
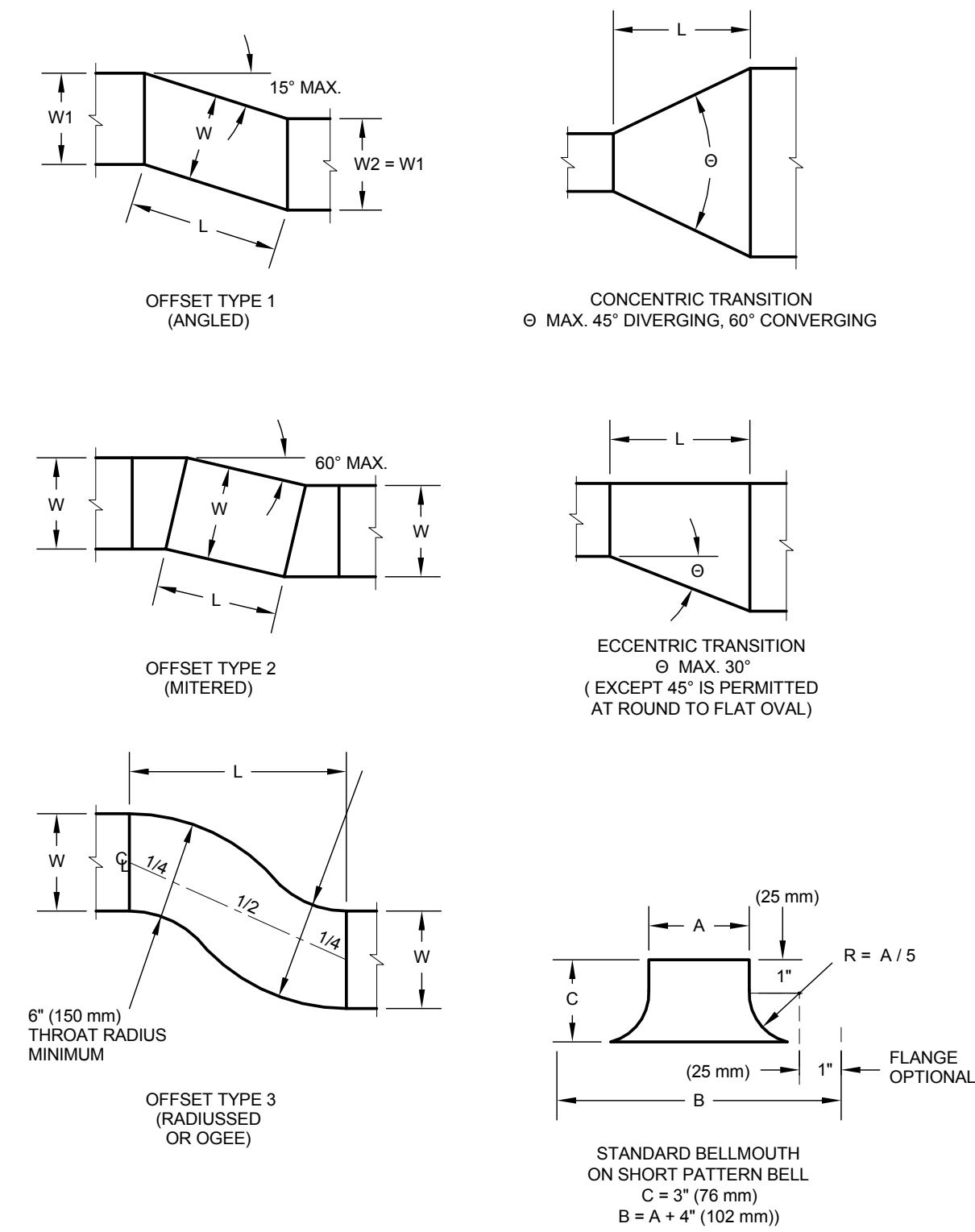


1 SUPPLY AIR FLOOR GRILLE DETAIL
 MH4.1 SCALE: NTS

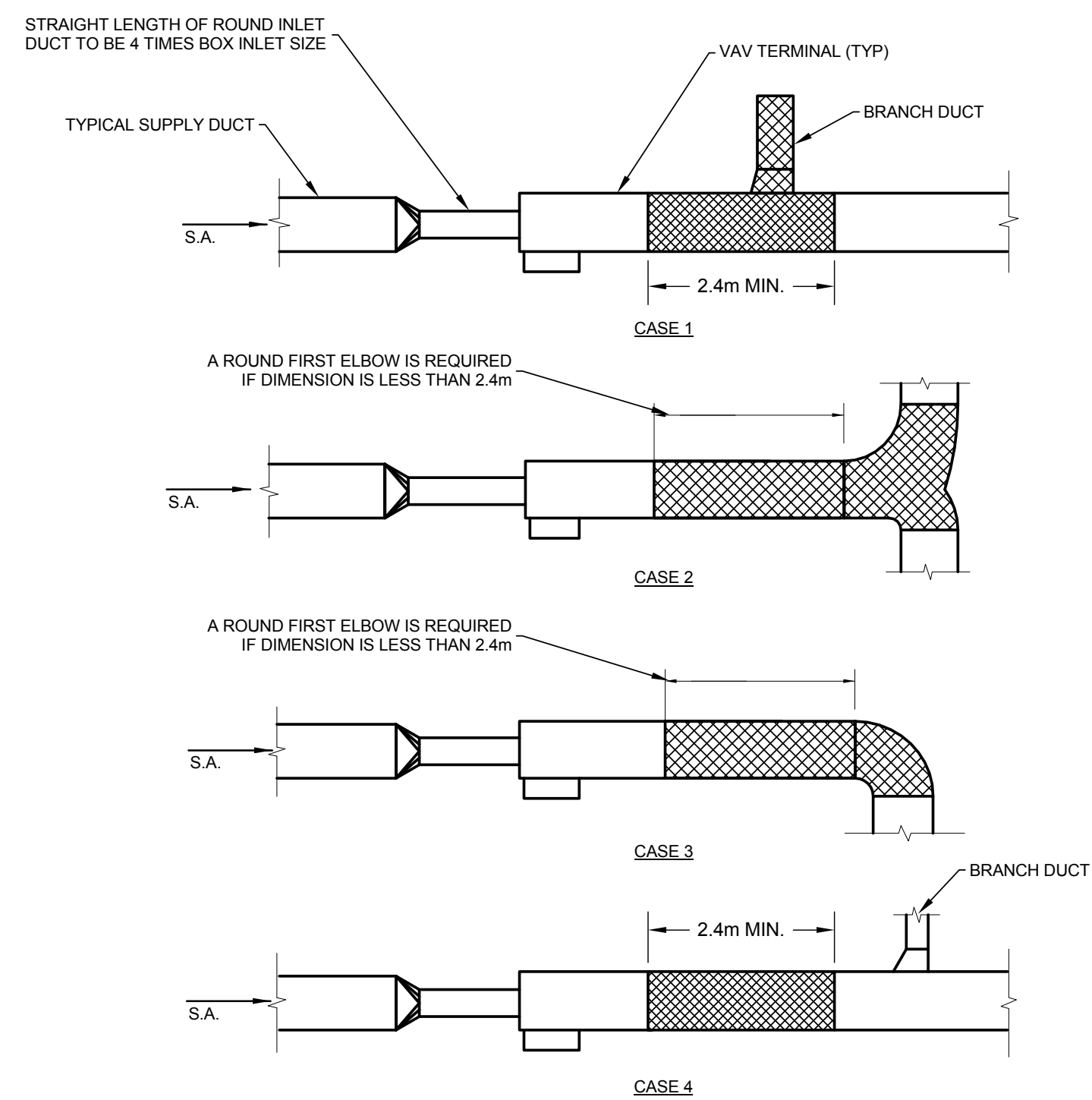


2 VANES AND RUNNERS
 MH4.1 SCALE: NTS

OFFSETS 2 AND 3 AND TRANSITIONS MAY HAVE EQUAL OR UNEQUAL INLET AND OUTLET AREAS. TRANSITIONS MAY CONVERT DUCT PROFILES TO ANY COMBINATION FOR RECTANGULAR, ROUND OR FLAT OVAL SHAPES.



3 OFFSETS AND TRANSITIONS
 MH4.1 SCALE: NTS



4 VAV TERMINAL ACOUSTIC INSULATION DETAIL
 MH4.1 SCALE: NTS



epp siepman engineering inc.
 mechanical & electrical engineers
 303-100 Osborne St. South
 Winnipeg, MB R3L 1Y5
 p 204.453.1080
 ese@eppsiepman.com

O 16-03-31 Issued for Construction
 revision

THIS DRAWING IS THE EXCLUSIVE PROPERTY OF H5 ARCHITECTURE AND DAVID PENNER ARCHITECT AND MAY NOT BE REPRODUCED AND/OR USED IN ANY MANNER WITHOUT THEIR EXPRESSED WRITTEN PERMISSION. THE GENERAL CONTRACTOR AND MATERIALS SUPPLIERS SHALL CHECK ALL DIMENSIONS AND INFORMATION ON THIS DRAWING AND REPORT ANY DISCREPANCIES PRIOR TO COMMENCEMENT OF WORK. DO NOT SCALE THIS DRAWING.

OWNER

 CITY OF WINNIPEG - PLANNING, PROPERTY & DEVELOPMENT DEPARTMENT
 MUNICIPAL ACCOMMODATIONS DIVISION
 3rd FLOOR - 65 GARRY ST., WPG, R3C 4K4



David Penner, 204.475.8978
 Hello Rodrigues, 204.774.0012
 120 Yale Avenue, Winnipeg, MB, R3M 0L7

PROJECT
 Windsor Park Library
ADDRESS
 1201 Archibald Street

DATE
 February 28, 2016

SCALE
 12" = 1'-0"