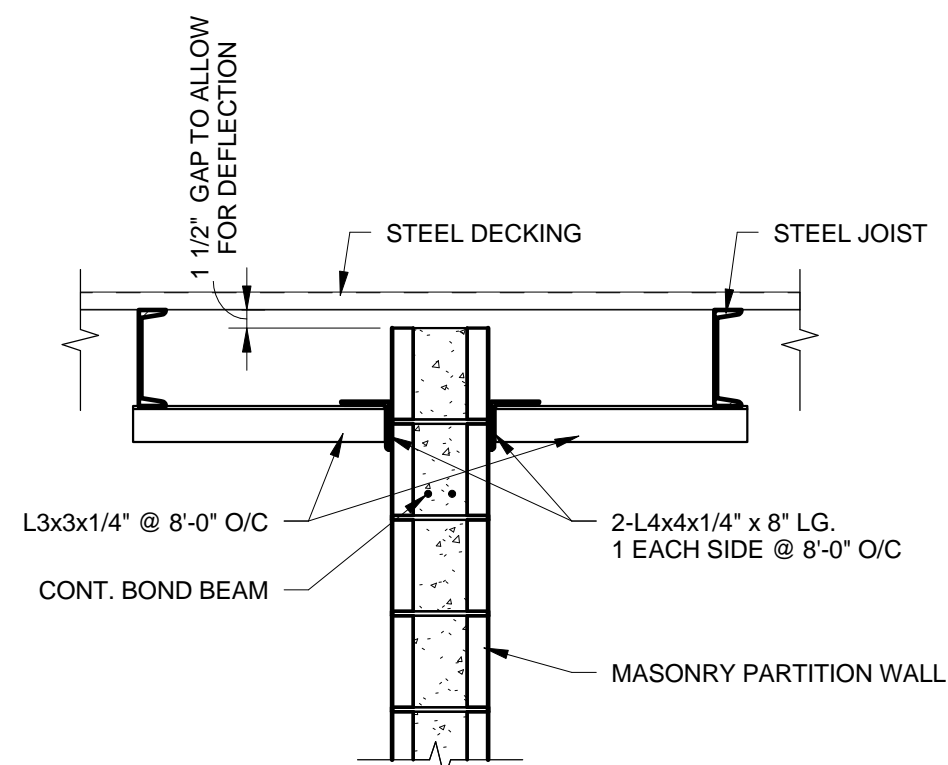
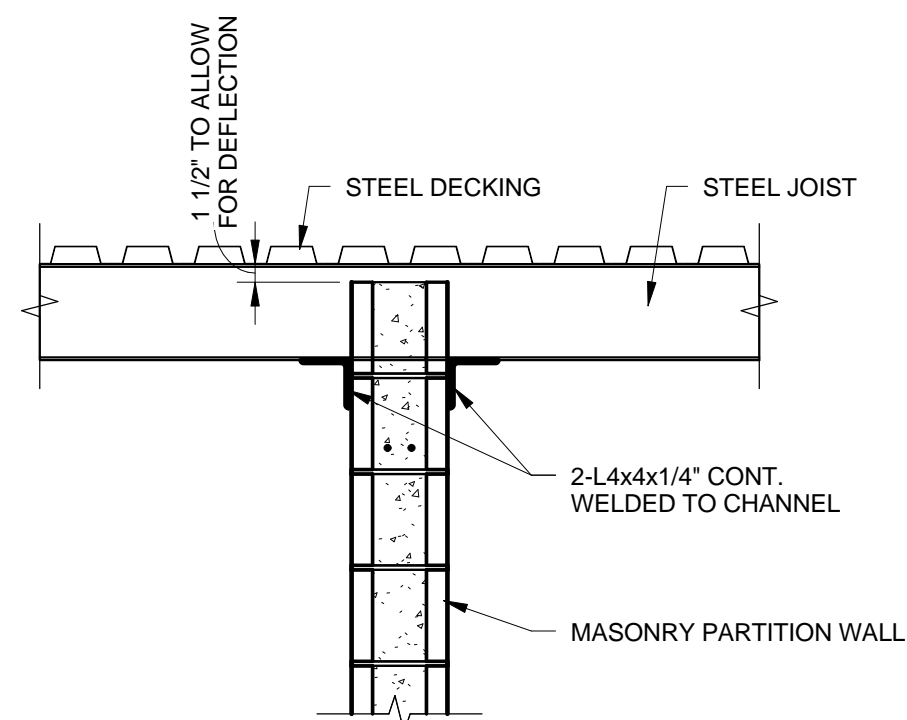


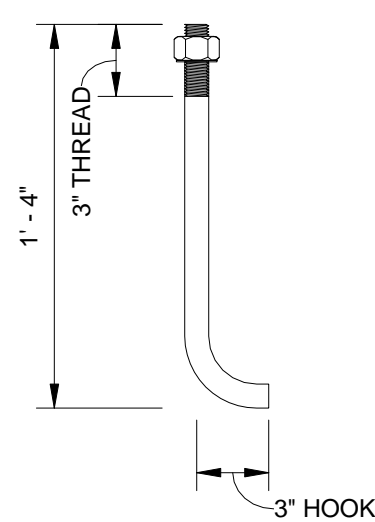
1 PARTITION WALL TOP BRACE BELOW JOIST
S-0A 3/4" = 1'-0"



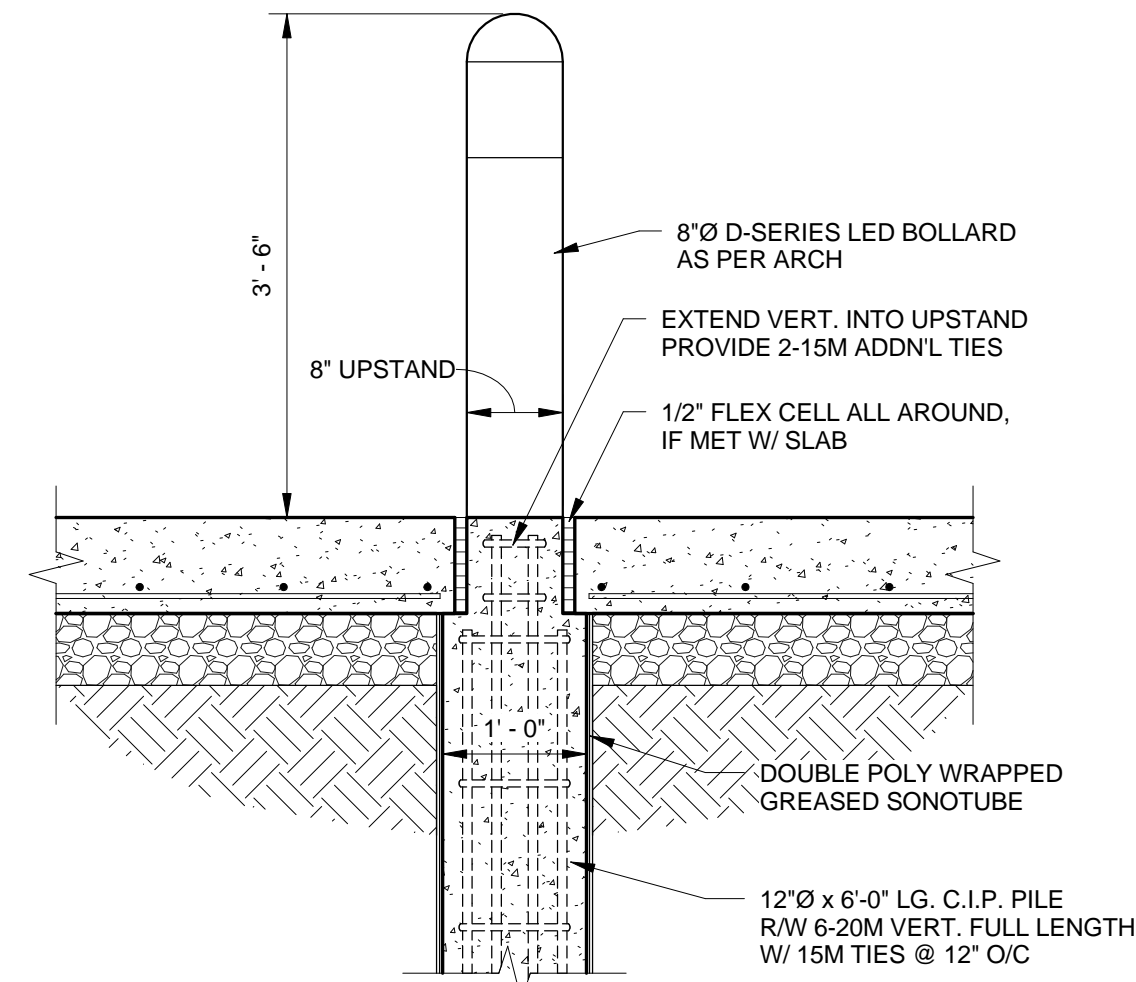
2 PARTITION WALL TOP BRACE AT DECK
S-0A 3/4" = 1'-0"



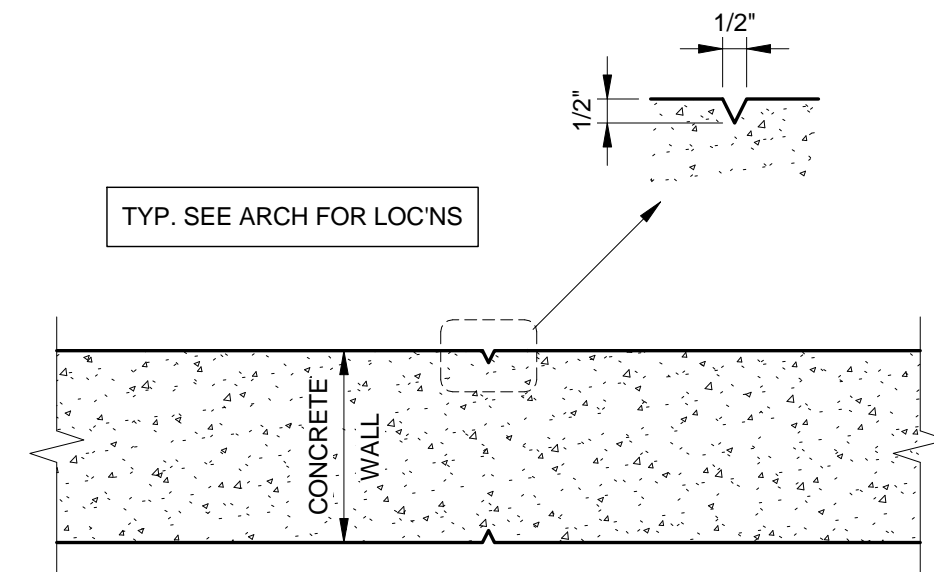
3 PARTITION WALL TOP BRACE AT DECK
S-0A 3/4" = 1'-0"



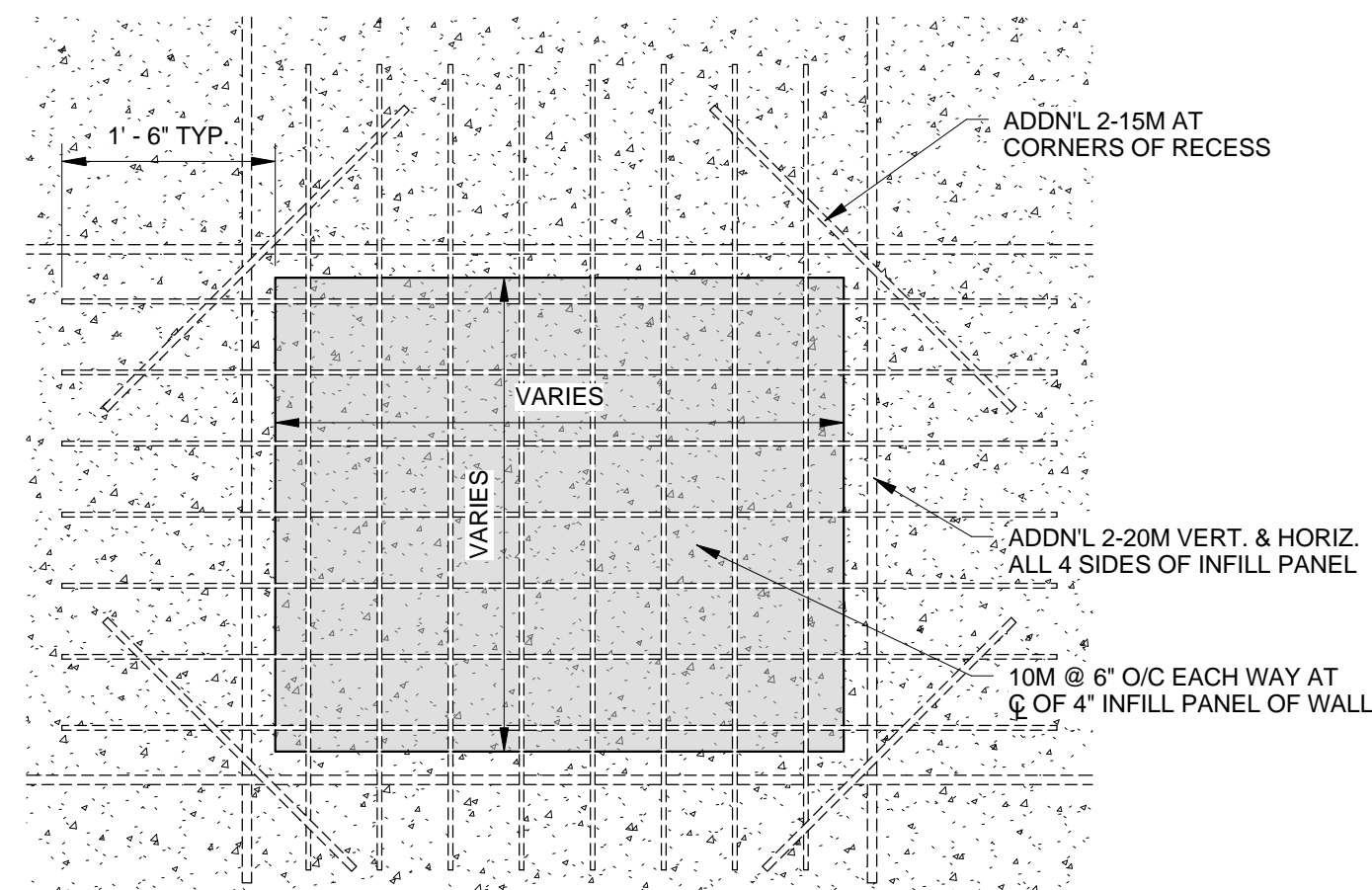
5 TYP. ANCHOR BOLT U.N.O.
S-0A 1 1/2" = 1'-0"



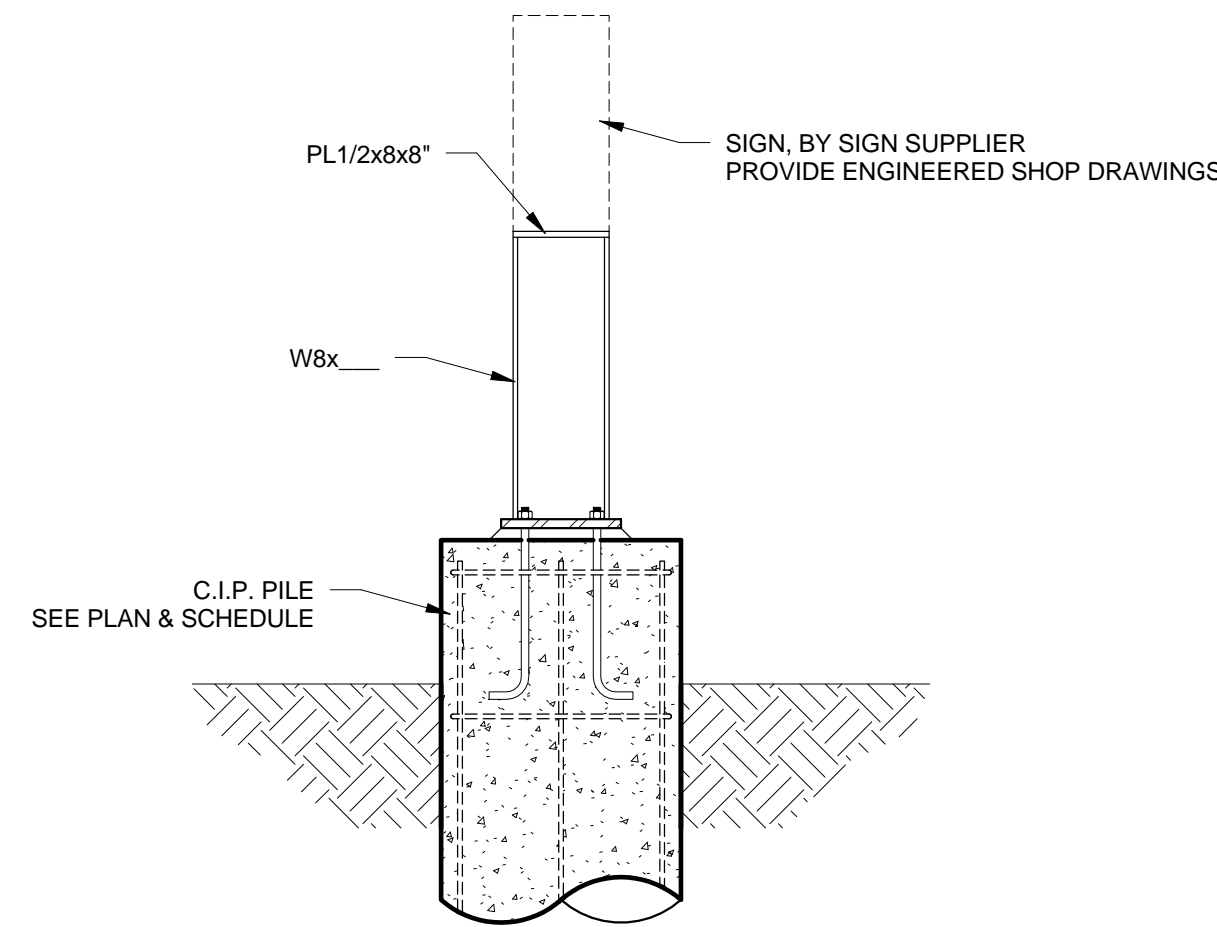
4 TYP. BOLLARD DETAIL
S-0A 3/4" = 1'-0"



6 TYP. CONTROL JOINT DETAIL
S-0A 1 1/2" = 1'-0"



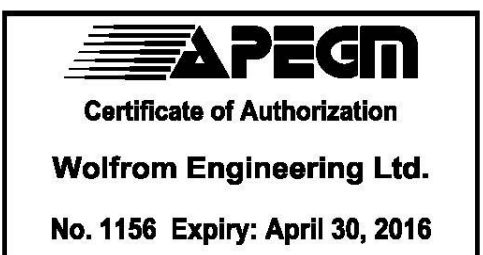
9 RECESS REINFORCING DETAIL
S-0A 3/4" = 1'-0"



8 SIGN FOUNDATION SECTION
S-0A 3/4" = 1'-0"

TYPICAL/GENERAL NOTES:

- PROVIDE MATCHING VERT. & HORIZ. DOWELS FROM ALL ADJACENT STRUCTURAL MEMBERS
- REFER TO ARCH INTERIOR ELEVATIONS FOR FORMWORK AND TIE LAYOUT
- REFER TO ARCH REFLECTED CEILING FOR ADDITIONAL SPACE FRAME GEOMETRY REQMENTS



0	ISSUED FOR CONSTRUCTION	2016.03.28	JCR
#	REVISION	DATE	BY

WOLFROM ENGINEERING LTD
CONSULTING ENGINEERS
345 WARDLAW AVENUE
WINNIPEG, CANADA R3L 0L5
(204) 452-0041 FAX: 294-8980
E-Mail: info@wolfromeng.com



JOB TITLE
WINDSOR PARK LIBRARY

DRAWING TITLE
TYPICAL NOTES & DETAILS

DRAWN BY	SCALE	DRAWING NO.
MNF	As indicated	S-0A
FILE NO.	DATE	REVISION NO.
W15033	MARCH 28, 2016	