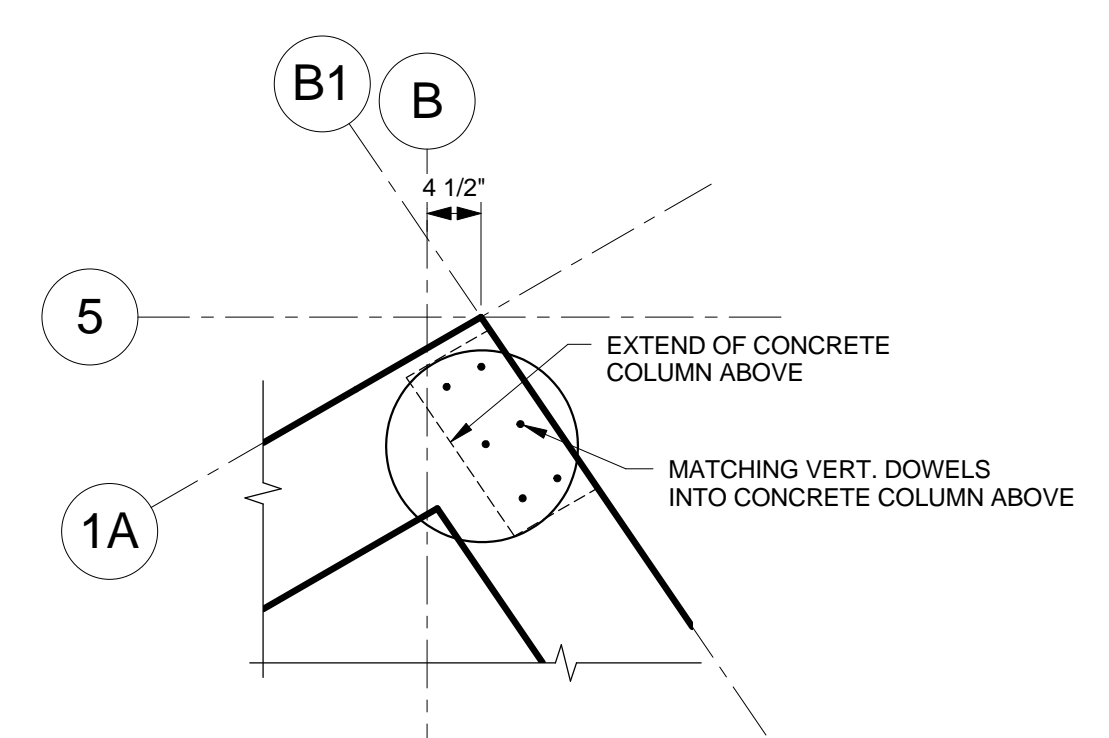
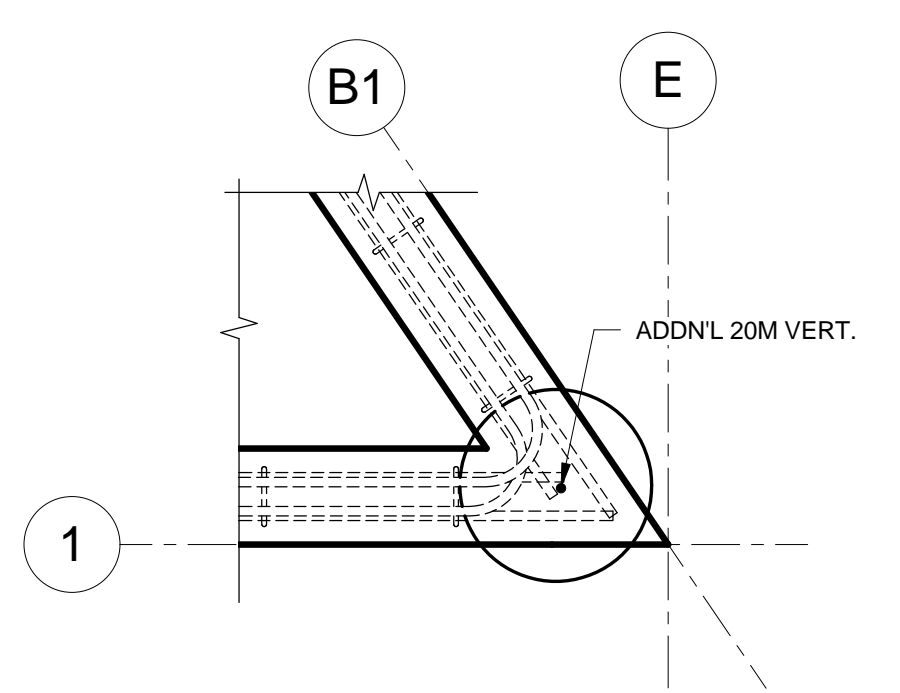


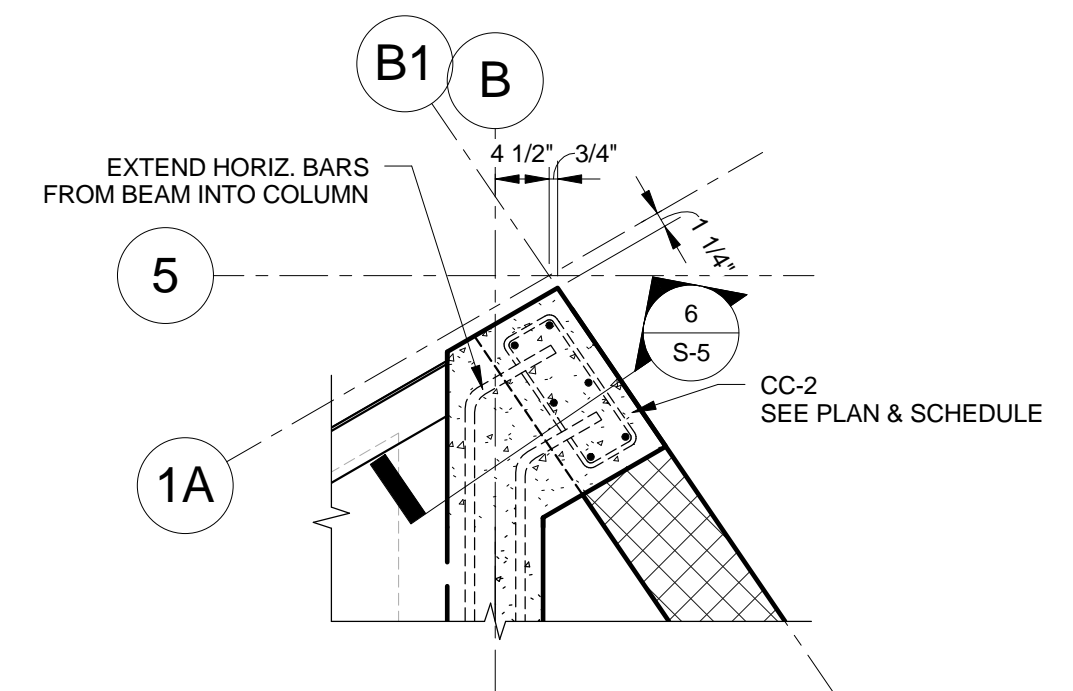
1 GRID 'A' & '1' FOUNDATION PLAN DETAIL
S-2A 3/4" = 1'-0"



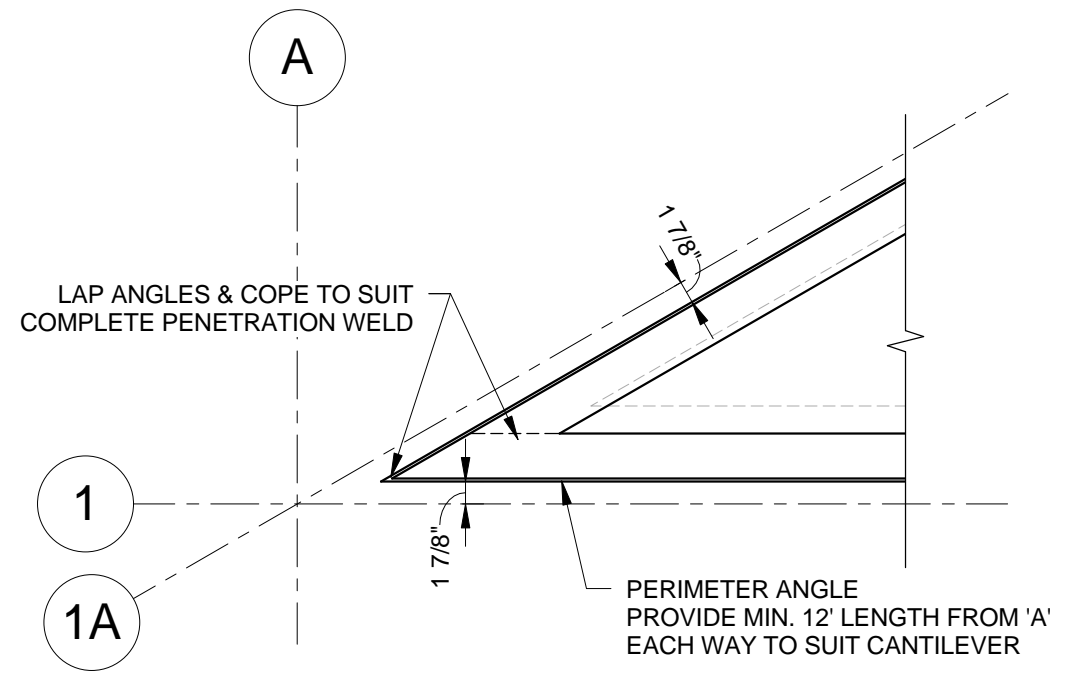
2 GRID 'B' & '5' FOUNDATION PLAN DETAIL
S-2A 3/4" = 1'-0"



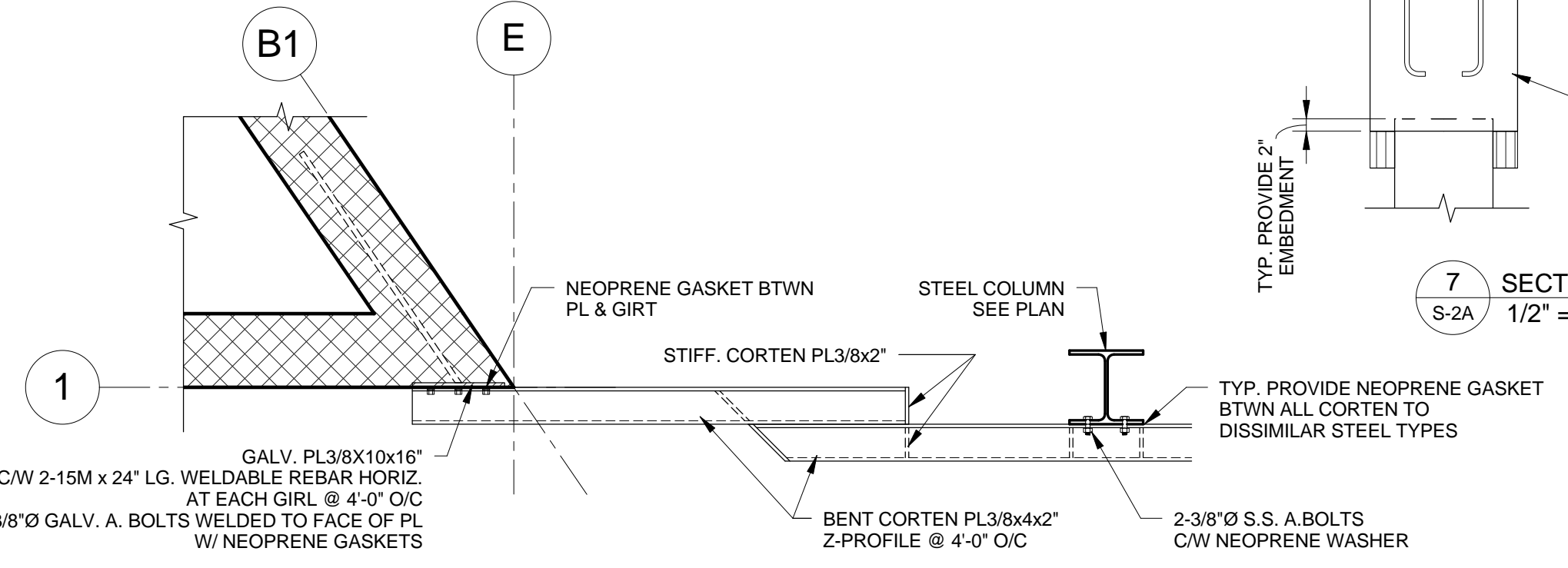
3 GRID 'E' & '1' FOUNDATION PLAN DETAIL
S-2A 3/4" = 1'-0"



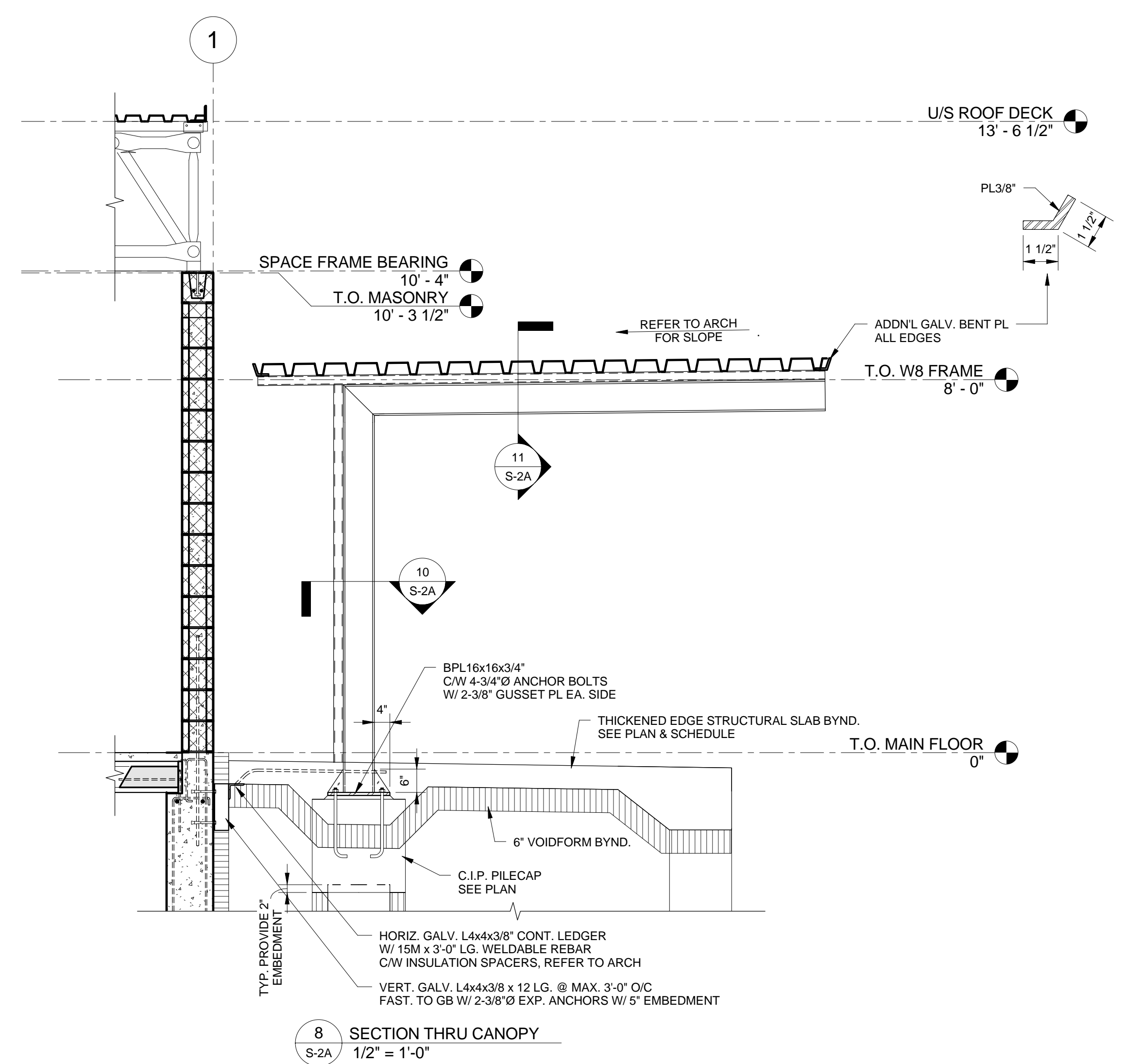
5 GRID 'B' & '5' ROOF PLAN DETAIL
S-2A 3/4" = 1'-0"



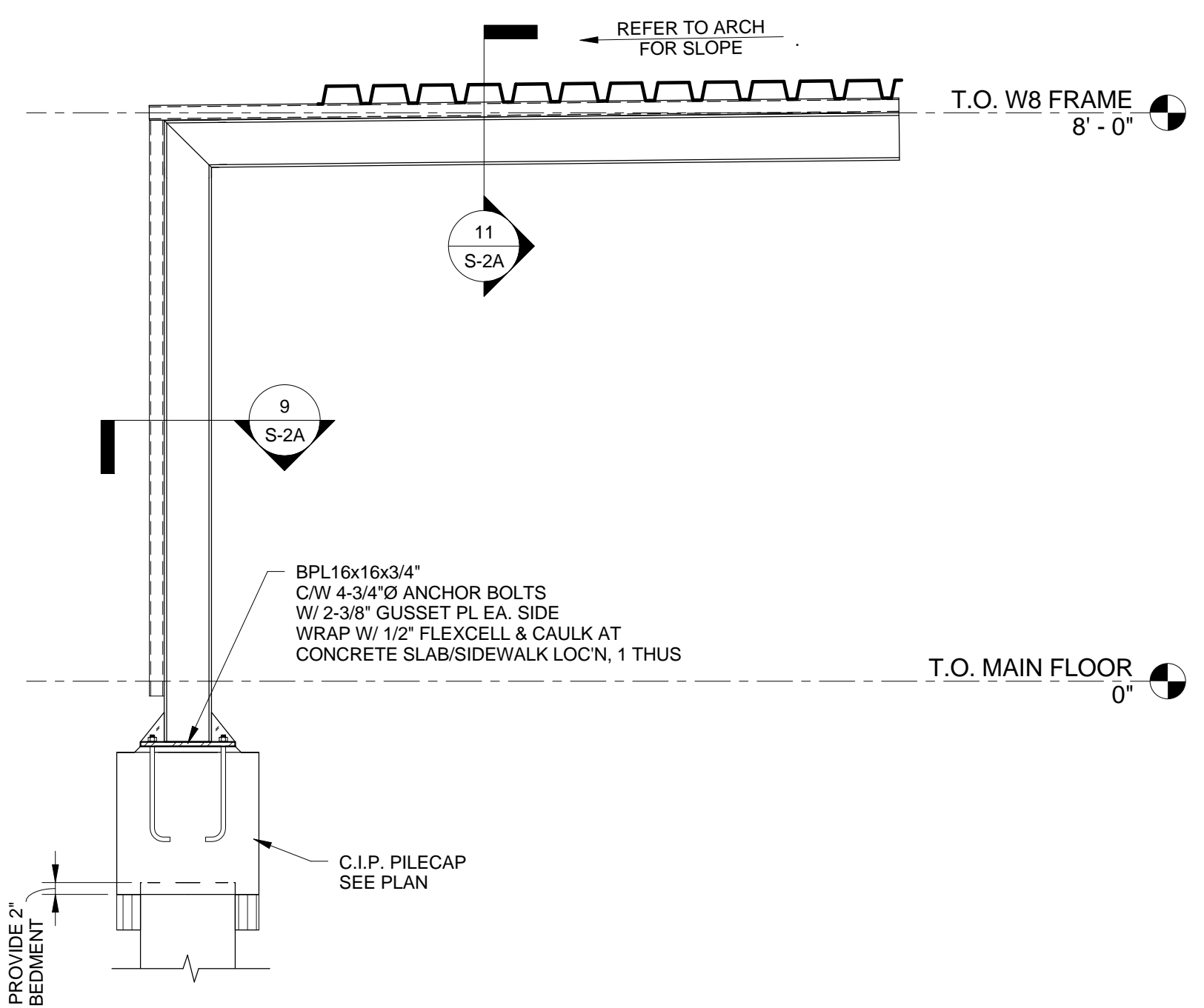
4 GRID 'A' & '1' ROOF PLAN DETAIL
S-2A 3/4" = 1'-0"



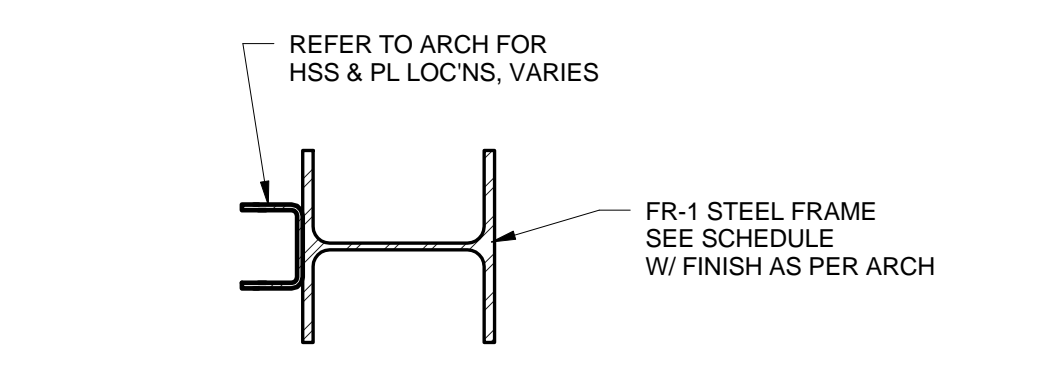
6 GRID 'E' & '1' ROOF PLAN DETAIL
S-2A 3/4" = 1'-0"



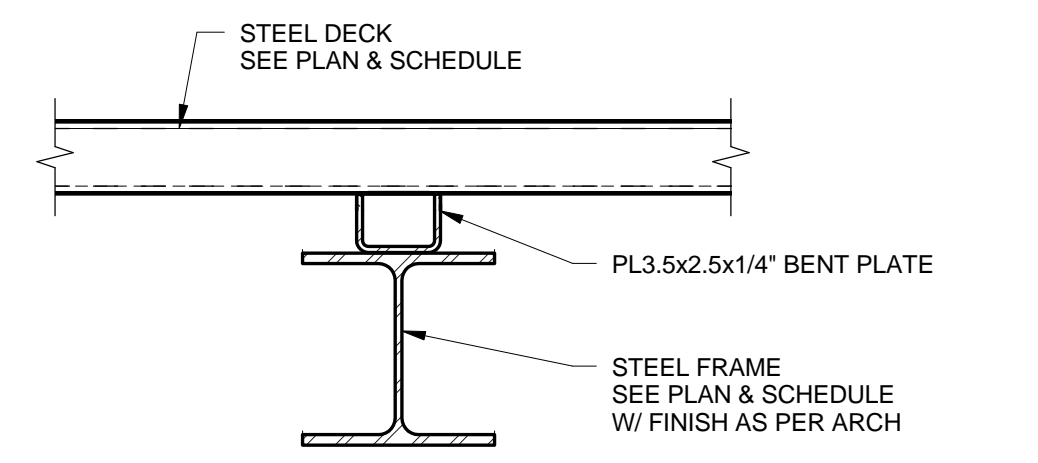
8 SECTION THRU CANOPY
S-2A 1/2" = 1'-0"



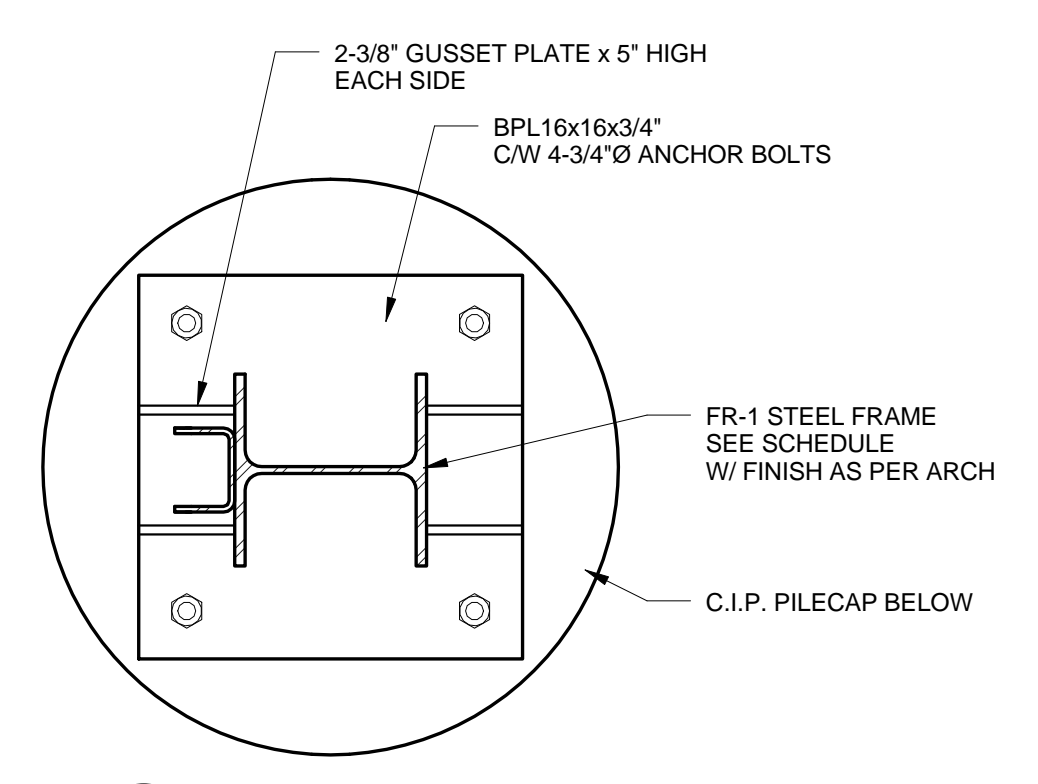
7 SECTION THRU CANOPY
S-2A 1/2" = 1'-0"



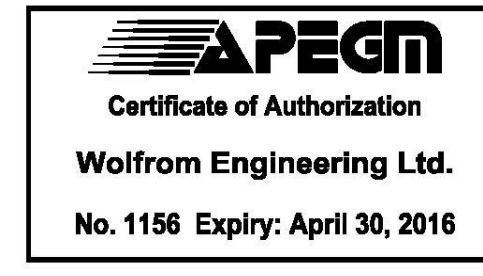
10 FR-1 COLUMN SECTION
S-2A 1 1/2" = 1'-0"



11 SECTION THRU FR-1 @ ROOF DECK
S-2A 1 1/2" = 1'-0"



9 FR-1 COLUMN SECTION
S-2A 1 1/2" = 1'-0"



0	ISSUED FOR CONSTRUCTION	2016.03.28	JCR
#	REVISION	DATE	BY

WOLFROM ENGINEERING LTD
CONSULTING ENGINEERS
345 WARDLAW AVENUE
WINNIPEG, CANADA R3L 0L5
(204)452-0041 FAX: 294-8980
E-Mail: info@wolfromeng.com



JOB TITLE
WINDSOR PARK LIBRARY

DRAWING TITLE
CORNER FRAMING PLAN DETAILS & CANOPY SECTIONS

DRAWN BY	SCALE	DRAWING NO.
MANF	As indicated	S-2A
FILE NO.	DATE	REVISION NO.
W15033	MARCH 28, 2016	