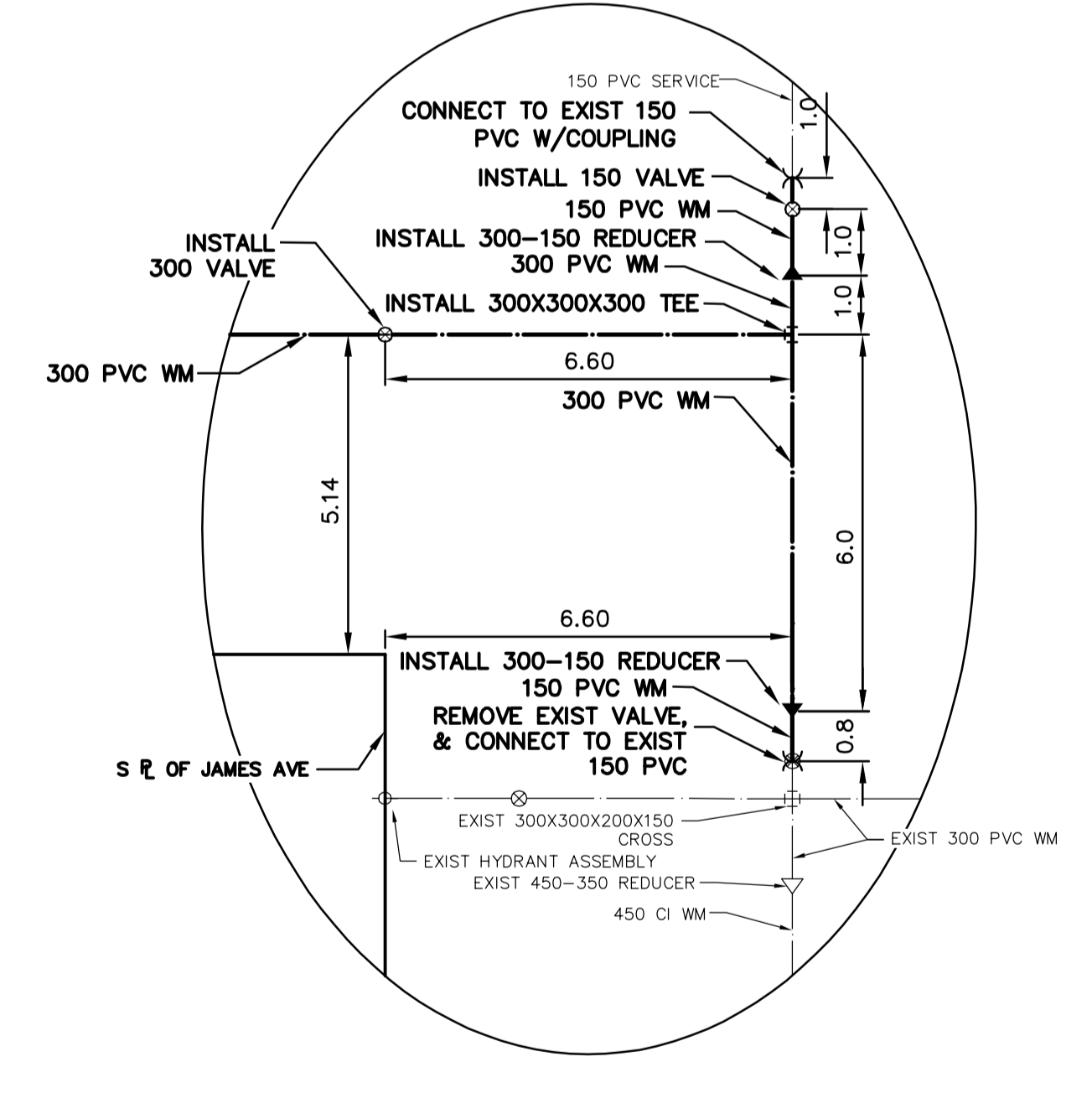
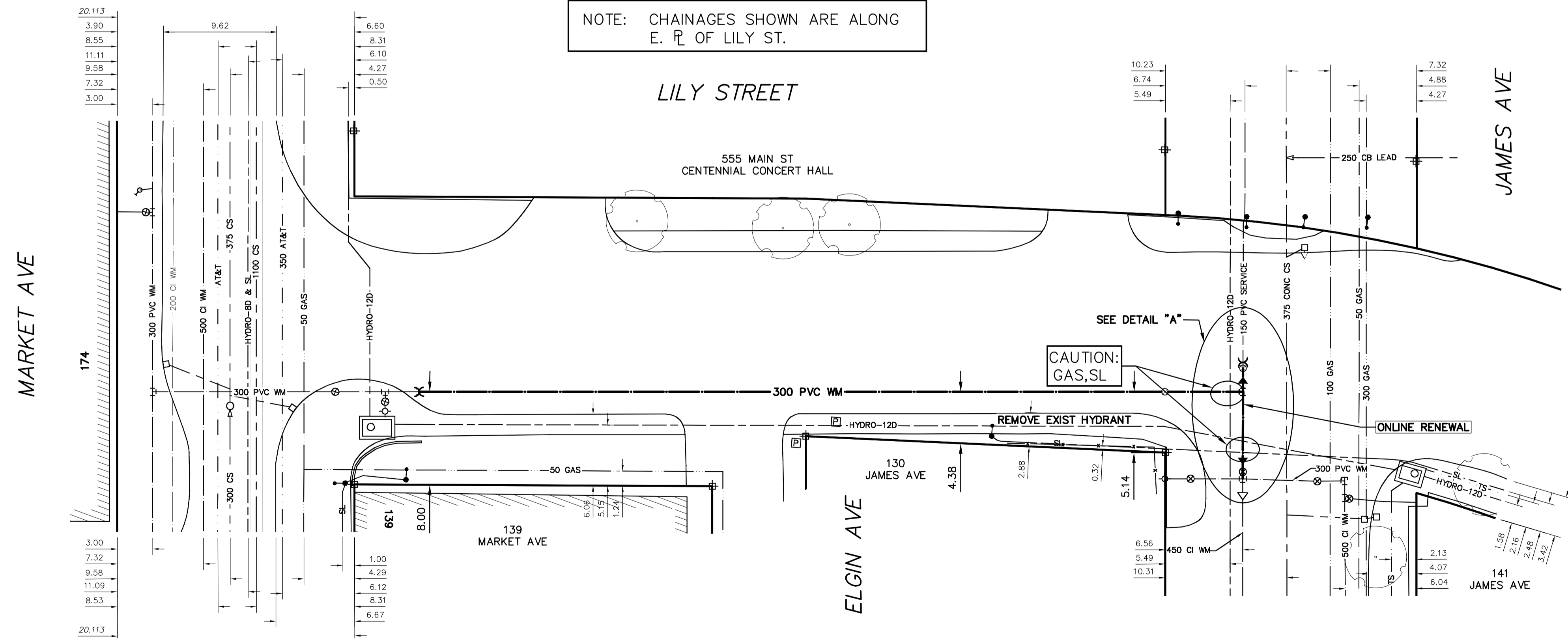
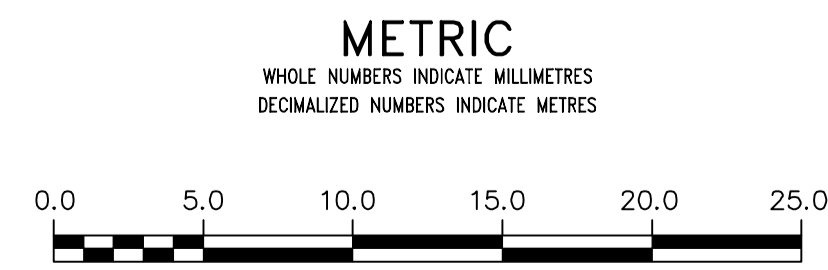


NOTE: CHAINAGES SHOWN ARE ALONG E. R. OF LILY ST.



FOR INDEX SEE D-14227

NOTE: ALL VALVES TO BE INSTALLED COUNTERCLOCKWISE TO CLOSE



WARNING
 IF POWER EQUIPMENT OR EXPLOSIVES ARE TO BE USED FOR EXCAVATION ON THIS PROJECT THE CONTRACTOR MUST:
 1) NOTIFY THE GAS COMPANY OF THE PROPOSED LOCATION OF EXCAVATION.
 2) TAKE PRECAUTION TO AVOID DAMAGE TO GAS COMPANY INSTALLATIONS.
 SEE PROVINCIAL REGULATION 210/72 FOR DETAILS

LOCATION APPROVED UNDERGROUND STRUCTURES
 SUPV. U/G STRUCTURES COMMITTEE DATE
 NOTE:
 LOCATION OF UNDERGROUND STRUCTURES AS SHOWN ARE BASED ON THE BEST INFORMATION AVAILABLE BUT NO GUARANTEE IS GIVEN THAT ALL EXISTING UTILITIES ARE SHOWN OR THAT THE GIVEN LOCATIONS ARE EXACT. CONFIRMATION OF EXISTENCE AND EXACT LOCATION OF ALL SERVICES MUST BE OBTAINED FROM THE INDIVIDUAL UTILITIES BEFORE PROCEEDING WITH CONSTRUCTION.

NO.	REVISIONS	DATE	BY

DESIGNED BY	TS	CHECKED BY	SC
DRAWN BY	CJH/RS	APPROVED BY	KZ
SCALE:	HORIZONTAL 1:250	RELEASED FOR CONSTRUCTION	KAZ ZUREK
DATE	2013 04 19	DATE	2016 03 24
PLOT DATE:	2016 03 24		

ENGINEER'S SEAL
 ORIGINAL SIGNED BY
 S.R.J. COURNOYER
 16-03-24
 CONSULTANT DRAWING NUMBER

THE CITY OF WINNIPEG
 WATER AND WASTE DEPARTMENT
 ENGINEERING DIVISION
 2016 WATER MAIN RENEWALS
 CONTRACT 7
 LILY STREET
 MARKET AVENUE TO
 JAMES AVENUE

SHEET 7 OF 12
 CITY DRAWING NUMBER
 D-14233