

INSTALLATION EQUIPMENT FOR THE PROPOSED WORKS SHALL NOT CROSS OR TRAVEL ALONG EITHER SIDE OF THE AQUEDUCT WITHIN A LATERAL DISTANCE OF 5.0 METERS FROM THE CENTERLINE OF THE AQUEDUCT AND/OR FEEDERMAN.

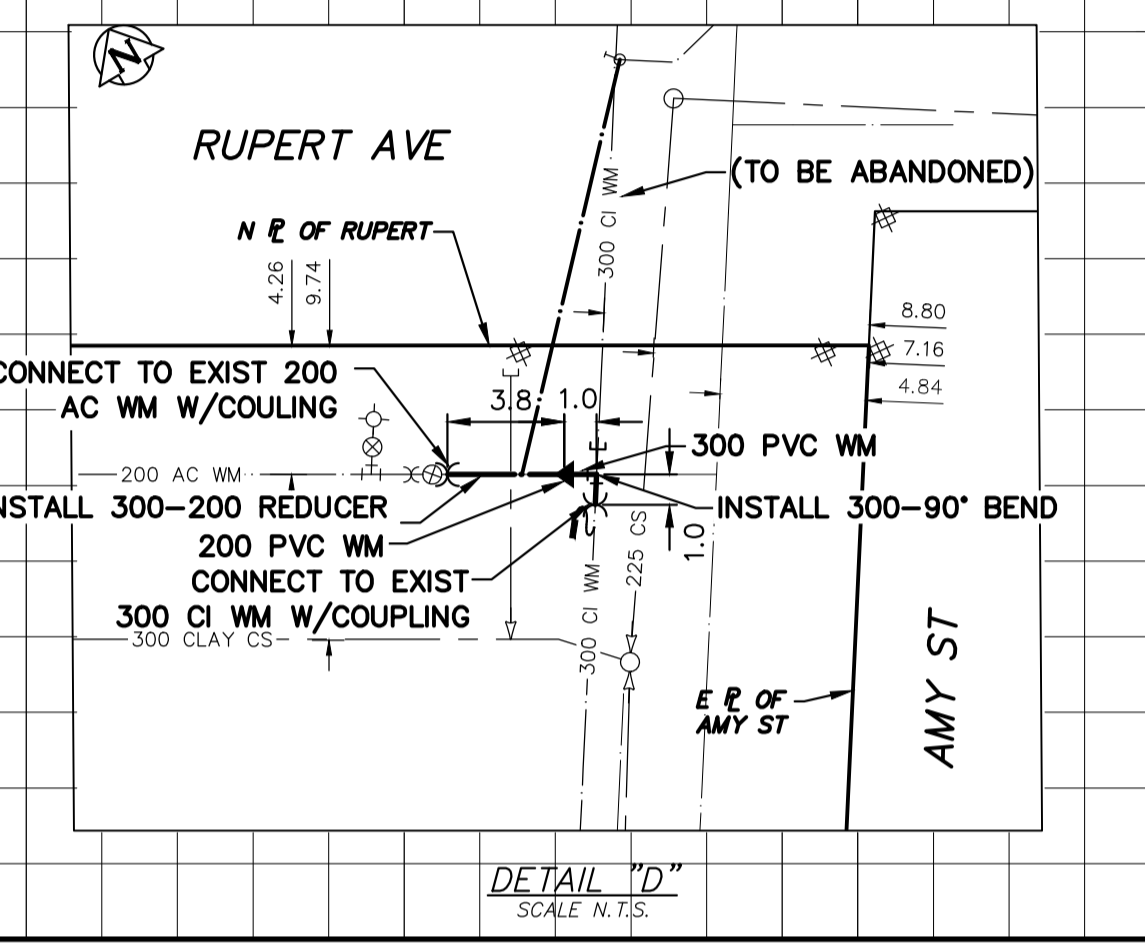
CONCRETE DEMOLITION AND REMOVAL WITHIN 3 METERS HORIZONTALLY OF THE AQUEDUCT AND/OR FEEDERMAN SHALL BE COMPLETED BY SAWCUTTING AND REMOVAL, OR BY THE USE OF HAND HELD JACKHAMMERS. USE OF MACHINE MOUNTED CONCRETE BREAKERS ABOVE THE AQUEDUCT AND/OR FEEDERMAN SHALL NOT BE PERMITTED.

DO NOT OPERATE VIBRATORY EQUIPMENT OVER OR WITHIN 3.0 METERS OF THE AQUEDUCT AND/OR FEEDERMAN.

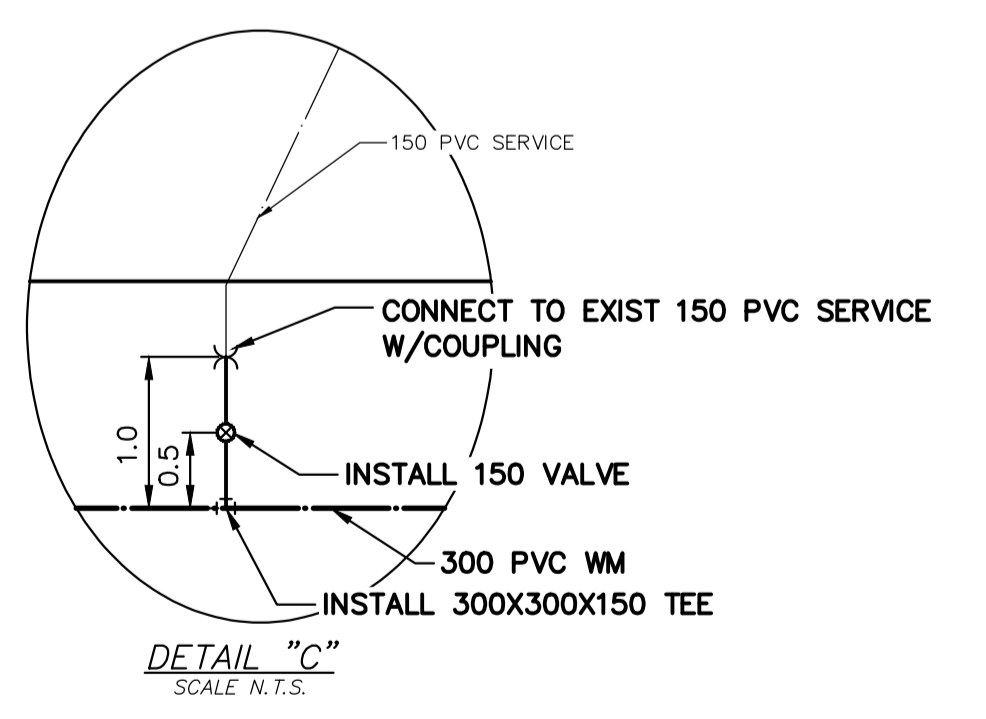
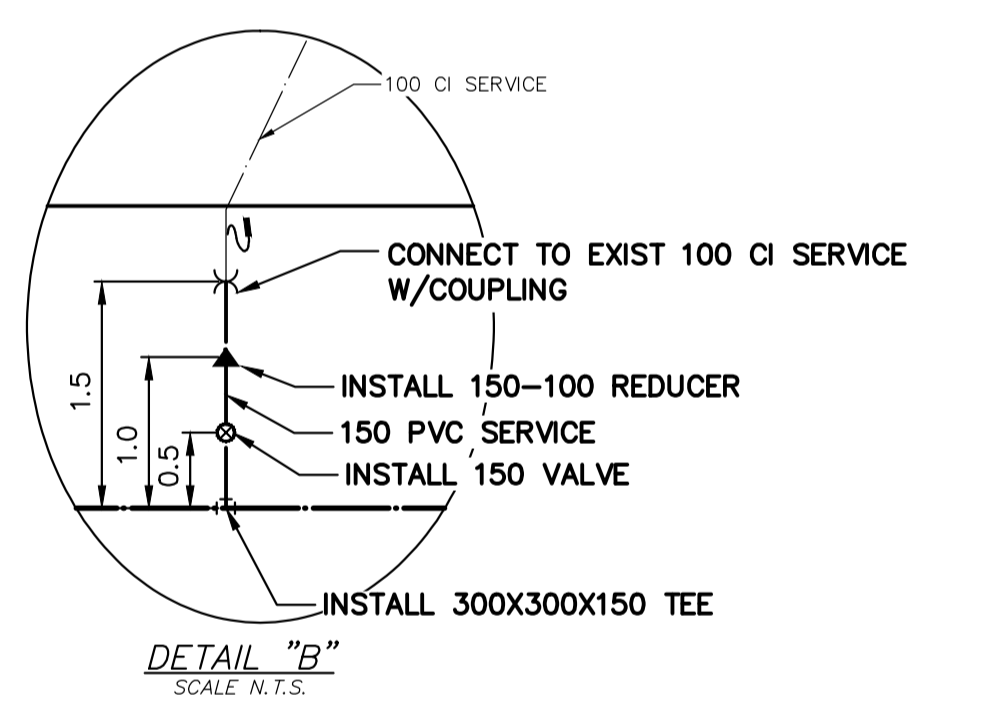
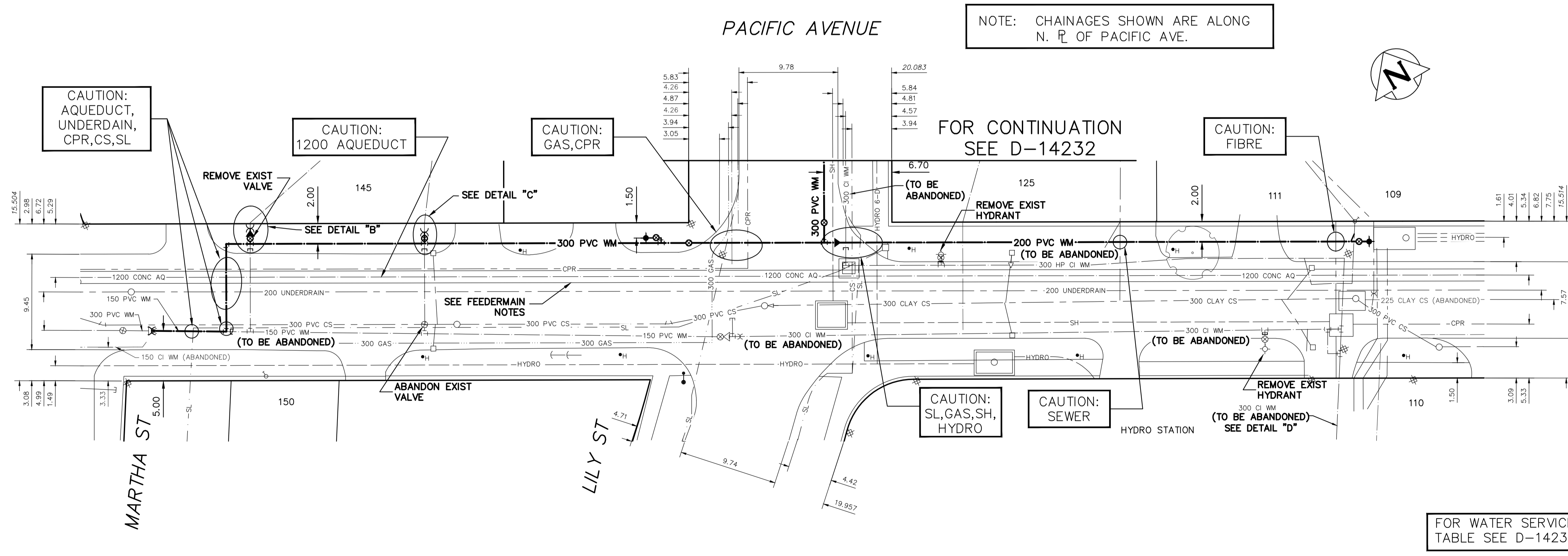
A MINIMUM CLEARANCE OF 1.0 METER MUST BE PROVIDED BETWEEN THE UNDERSIDE OF ANY EXISTING AQUEDUCT OR FEEDERMAN AND THE TOP OF THE PROPOSED WORKS. THIS INSTALLATION BY TRENCHLESS METHOD ONLY.

A MINIMUM CLEARANCE OF 0.5 METER MUST BE PROVIDED BETWEEN THE UNDERSIDE OF ANY EXISTING AQUEDUCT OR FEEDERMAN BY TRENCHLESS OR OPEN TRENCH.

A SHAFT MUST BE EXCAVATED BY SOFT DIG METHODS 4.0 METERS FROM THE CENTERLINE OF THE AQUEDUCT AND/OR FEEDERMAN TO CONFIRM THE ALIGNMENT AND ELEVATION OF THE DRILLING ROD BEFORE IT CROSSES OVER OR UNDER THE AQUEDUCT AND/OR FEEDERMAN. THIS CONFIRMATION MUST BE WITNESSED BY A CITY REPRESENTATIVE.



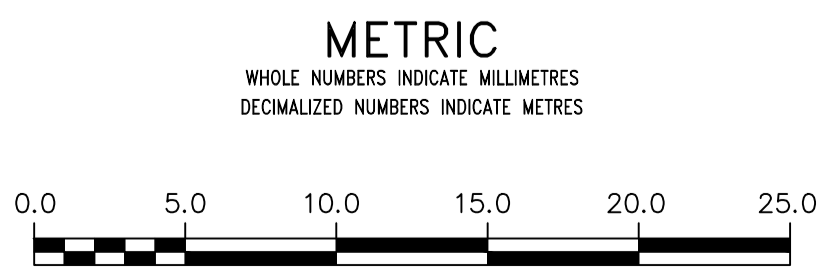
NOTE: CHAINAGES SHOWN ARE ALONG N.P. OF PACIFIC AVE.



FOR WATER SERVICE TABLE SEE D-14230

FOR INDEX SEE D-14227

NOTE: ALL VALVES TO BE INSTALLED COUNTERCLOCKWISE TO CLOSE



WARNING

IF POWER EQUIPMENT OR EXPLOSIVES ARE TO BE USED FOR EXCAVATION ON THIS PROJECT THE CONTRACTOR MUST:

- 1) NOTIFY THE GAS COMPANY OF THE PROPOSED LOCATION OF EXCAVATION.
- 2) TAKE PRECAUTION TO AVOID DAMAGE TO GAS COMPANY INSTALLATIONS.

SEE PROVINCIAL REGULATION 210/72 FOR DETAILS

LOCATION APPROVED UNDERGROUND STRUCTURES

SUPV. U/G STRUCTURES COMMITTEE DATE

NOTE:
LOCATION OF UNDERGROUND STRUCTURES AS SHOWN ARE BASED ON THE BEST INFORMATION AVAILABLE BUT NO GUARANTEE IS GIVEN THAT ALL EXISTING UTILITIES ARE SHOWN OR THAT THE GIVEN LOCATIONS ARE EXACT. CONFIRMATION OF EXISTENCE AND EXACT LOCATION OF ALL SERVICES MUST BE OBTAINED FROM THE INDIVIDUAL UTILITIES BEFORE PROCEEDING WITH CONSTRUCTION.

NO.	REVISIONS	DATE	BY

DESIGNED BY	TS	CHECKED BY	SC
DRAWN BY	RS	APPROVED BY	KZ
SCALE:	HORIZONTAL 1:250 VERTICAL 1:50		
DATE	2016 03 24		
PLOT DATE:	2014 12 11		
RELEASED FOR CONSTRUCTION	KAZ ZUREK		
DATE	2016 03 24		

ENGINEER'S SEAL

ORIGINAL SIGNED BY
S.R.J. COURNOYER
16-03-24

CONSULTANT DRAWING NUMBER

THE CITY OF WINNIPEG
WATER AND WASTE DEPARTMENT
ENGINEERING DIVISION

2016 WATER MAIN RENEWALS
CONTRACT 7

PACIFIC AVENUE
60 W OF LILY STREET TO
59 E OF LILY STREET

SHEET 8 OF 12
CITY DRAWING NUMBER
D-14234