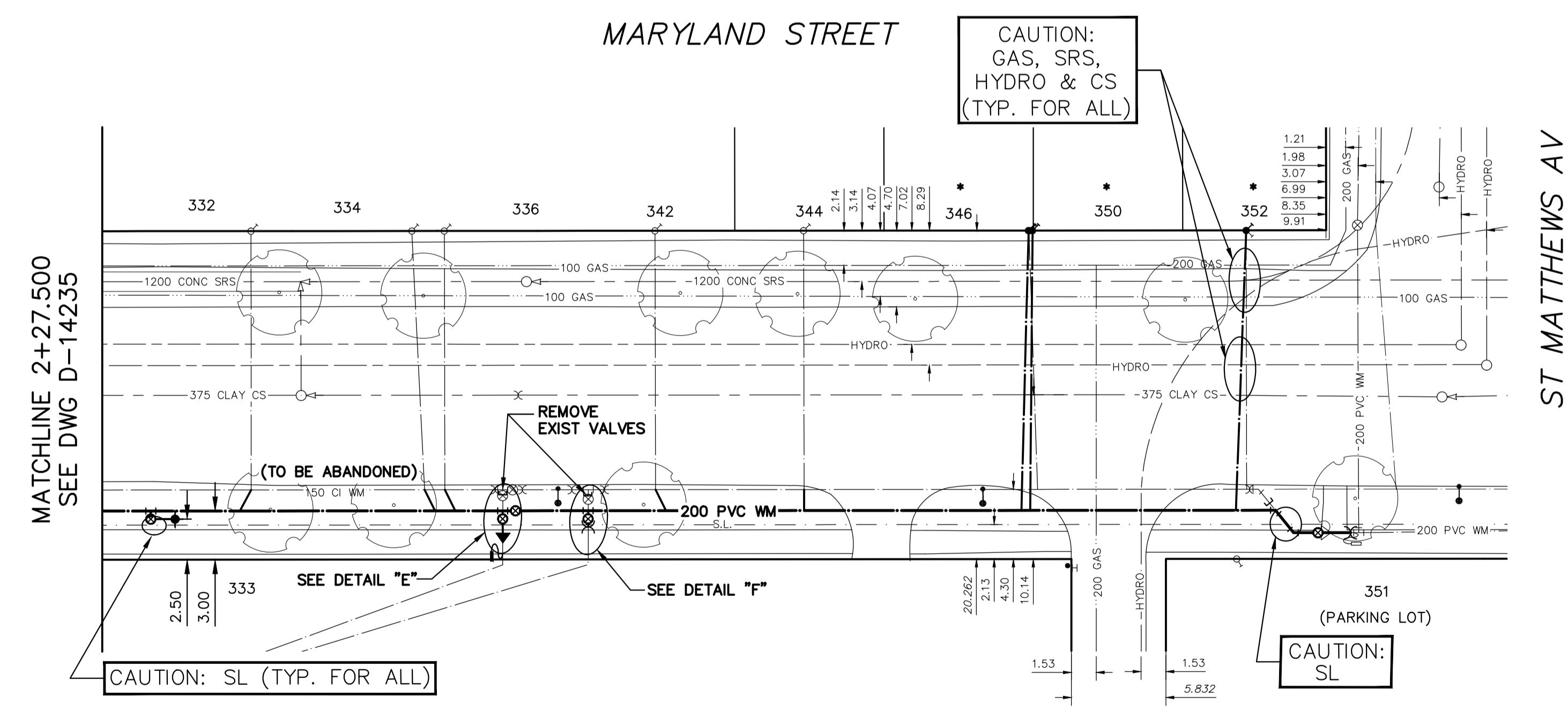


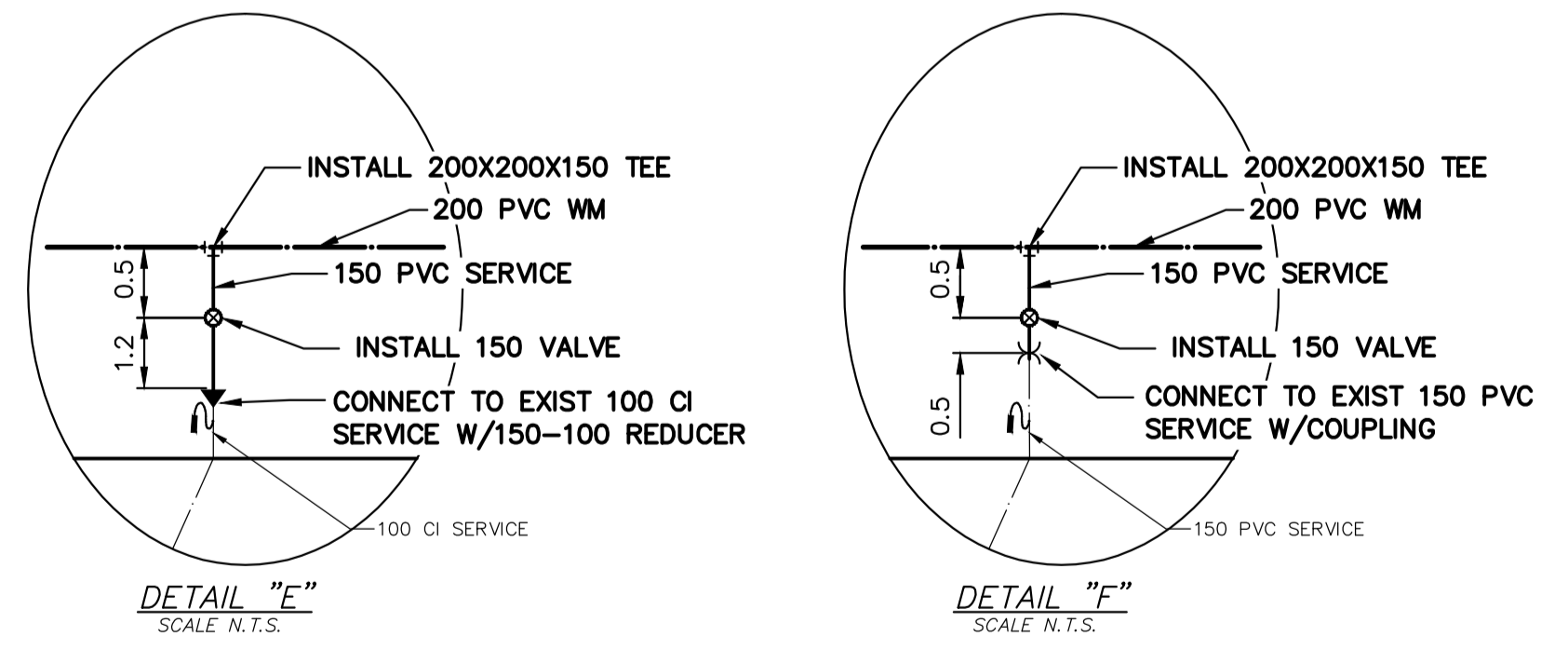
NOTE: CHAINAGES SHOWN ARE ALONG E. R. OF MARYLAND ST.



WATER SERVICE INFORMATION

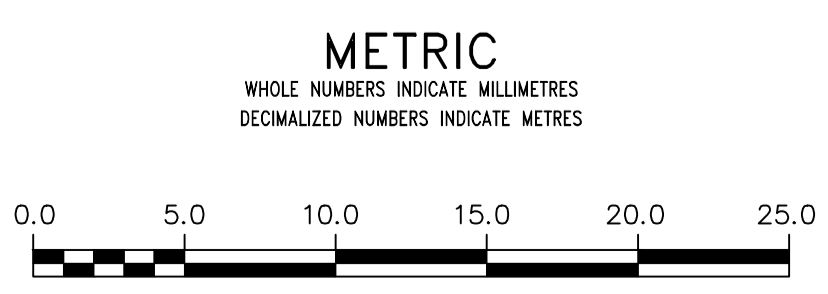
ADDRESS	SIZE (mm) MATERIAL (STREET)	SIZE (mm) MATERIAL (PROP.)	SHORT & LONG MEASUREMENT	CORP. LOCATION	REMARKS
332 MARYLAND ST	20 COPPER	20 COPPER	1.6 SNL HSE	OPP S/C	RECONNECT SERVICE
334 MARYLAND ST	20 COPPER	20 COPPER	66.3 SSL ST MATTHEWS AVE	0.7 N OF S/C	RECONNECT SERVICE
336 MARYLAND ST	20 COPPER	20 COPPER	56.4 SSL ST MATTHEWS AVE	OPP S/C	RECONNECT SERVICE
342 MARYLAND ST	20 COPPER	20 COPPER	1.0 NSL HSE	OPP S/C	RECONNECT SERVICE
342 MARYLAND ST	20 COPPER	20 COPPER	53.4 SSL ST MATTHEWS AVE	OPP S/C	RECONNECT SERVICE
342 MARYLAND ST	20 COPPER	20 COPPER	2.8 NSL HSE	OPP S/C	RECONNECT SERVICE
344 MARYLAND ST	20 COPPER	20 COPPER	41.4 SSL ST MATTHEWS AVE	OPP S/C	RECONNECT SERVICE
344 MARYLAND ST	20 COPPER	20 COPPER	2.9 SNL HSE	OPP S/C	RECONNECT SERVICE
346 MARYLAND ST	16 LEAD	12 LEAD	32.2 SSL ST MATTHEWS AVE	0.6 N OF S/C	WYED WITH 350 RENEW TO R. W/ 20 COPPER
350 MARYLAND ST	16 LEAD	12 LEAD	0.5 NSL HSE	0.4 N OF S/C	WYED WITH 346 RENEW TO R. W/ 20 COPPER
352 MARYLAND ST	12 LEAD	12 LEAD	18.3 SSL ST MATTHEWS AVE	OPP S/C	RECONNECT SERVICE
352 MARYLAND ST	12 LEAD	12 LEAD	3.1 SSL HSE	OPP S/C	RECONNECT SERVICE
352 MARYLAND ST	12 LEAD	12 LEAD	20.1 SNL ST MATTHEWS AVE	OPP S/C	RECONNECT SERVICE
351 MARYLAND ST	-	-	5.5 SSL ST MATTHEWS AVE	-	PARKING LOT
333 MARYLAND ST	150 CI	100 CI	12.19 SNL BLDG	OPP VLV	RECONNECT SERVICE
333 MARYLAND ST	150 CI	100 CI	50.82 SSL ST MATTHEWS AVE	OPP VLV	RECONNECT SERVICE
333 MARYLAND ST	150 PVC	150 PVC	6.91 SNL BLDG	OPP VLV	RECONNECT SERVICE
333 MARYLAND ST	150 PVC	150 PVC	45.54 SSL ST MATTHEWS AVE	OPP VLV	RECONNECT SERVICE

*SERVICES TO BE RENEWED TO R. ALL OTHERS TO BE RECONNECTED



FOR INDEX SEE D-14227

NOTE: ALL VALVES TO BE INSTALLED COUNTERCLOCKWISE TO CLOSE



LOCATION APPROVED UNDERGROUND STRUCTURES		B.M. ELEV.
SUPV. U/G STRUCTURES COMMITTEE	DATE	
NOTE:		
LOCATION OF UNDERGROUND STRUCTURES AS SHOWN ARE BASED ON THE BEST INFORMATION AVAILABLE BUT NO GUARANTEE IS GIVEN THAT ALL EXISTING UTILITIES ARE SHOWN OR THAT THE GIVEN LOCATIONS ARE EXACT. CONFIRMATION OF EXISTENCE AND EXACT LOCATION OF ALL SERVICES MUST BE OBTAINED FROM THE INDIVIDUAL UTILITIES BEFORE PROCEEDING WITH CONSTRUCTION.		
NO.	REVISIONS	DATE BY

DESIGNED BY	TS	CHECKED BY	SC
DRAWN BY	RJ	APPROVED BY	KZ
SCALE:		RELEASED FOR CONSTRUCTION	
HORIZONTAL	1:250		
VERTICAL	1:50		
DATE	2016 03 24	DATE	2016 03 24

ENGINEER'S SEAL
ORIGINAL SIGNED BY
S.R.J. COURNOYER
16-03-24
CONSULTANT DRAWING NUMBER
-

THE CITY OF WINNIPEG
WATER AND WASTE DEPARTMENT
ENGINEERING DIVISION

2016 WATER MAIN RENEWALS
CONTRACT 7

73 S OF ST MATTHEWS AVENUE TO
ST MATTHEWS AVENUE

SHEET 10 OF 12
CITY DRAWING NUMBER
D-14236