

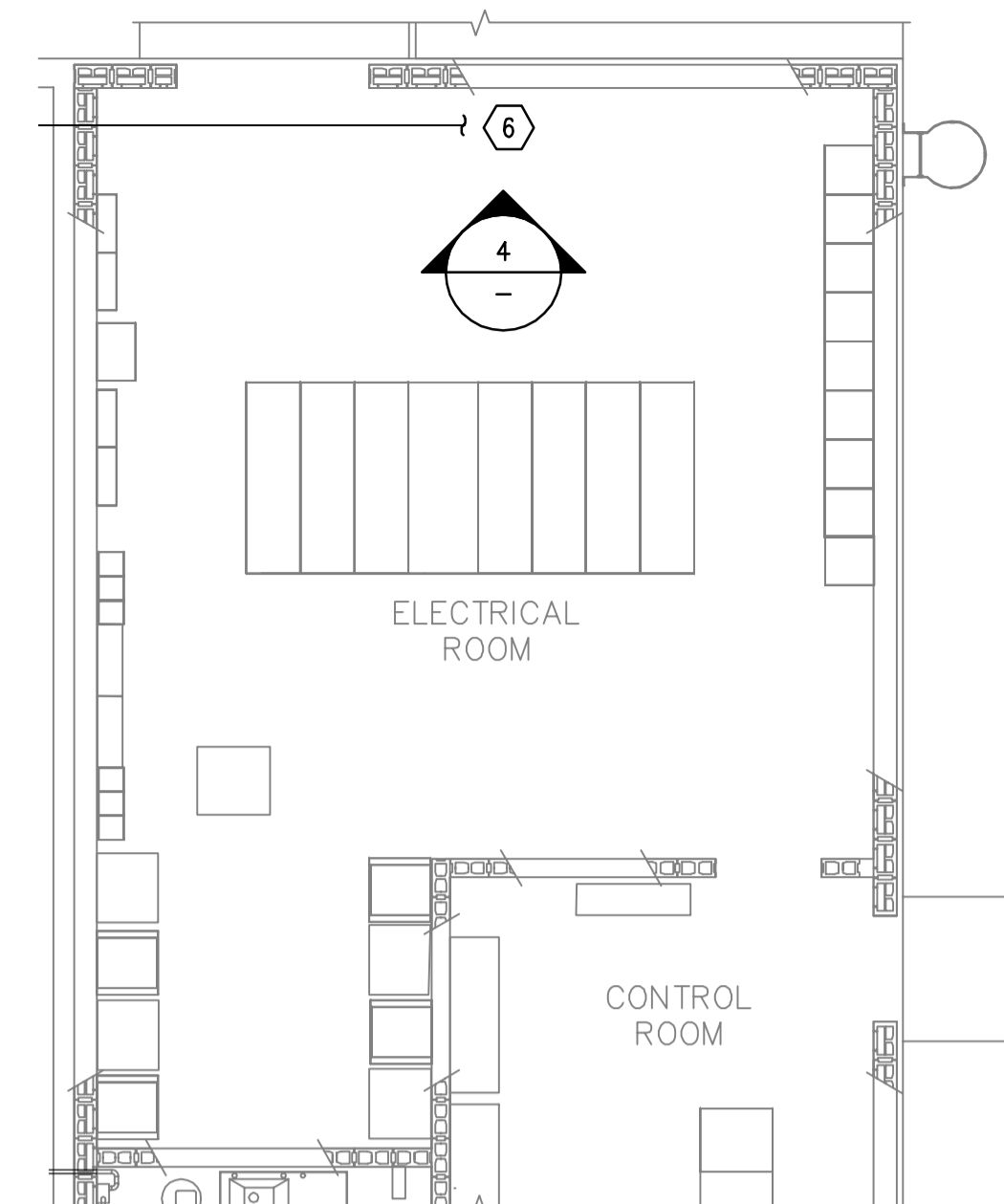
**EXHAUST FAN ROOM
MAIN FLOOR PLAN**
SCALE : 1:75



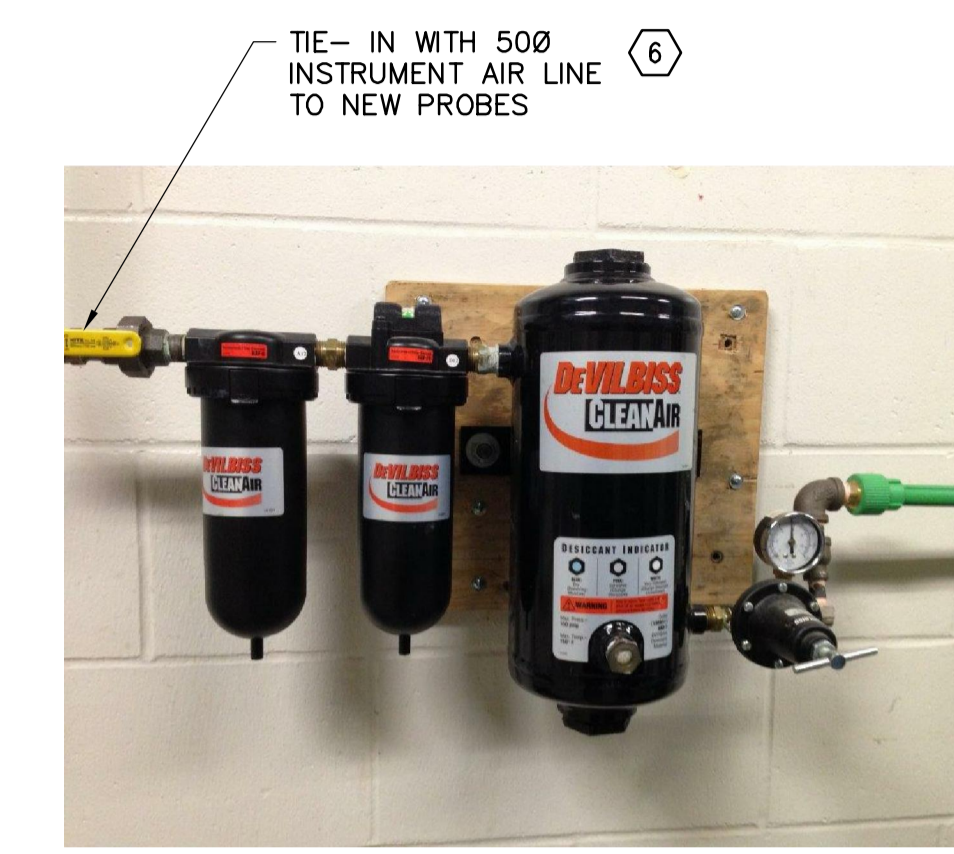
1 INSTRUMENT AIR CONNECTION
SCALE NONE

NEW 50Ø INSTRUMENT AIR LINE TO EXIT BUILDING ALONG THE NORTH WALL. SEE DETAIL 3.

TIE-IN TO EXISTING INSTRUMENT AIR LINE. MOUNT ON FACE OF EXISTING CABLE TRAY AS APPROPRIATE.



**ELECTRICAL ROOM
MAIN FLOOR PLAN**
SCALE : 1:75



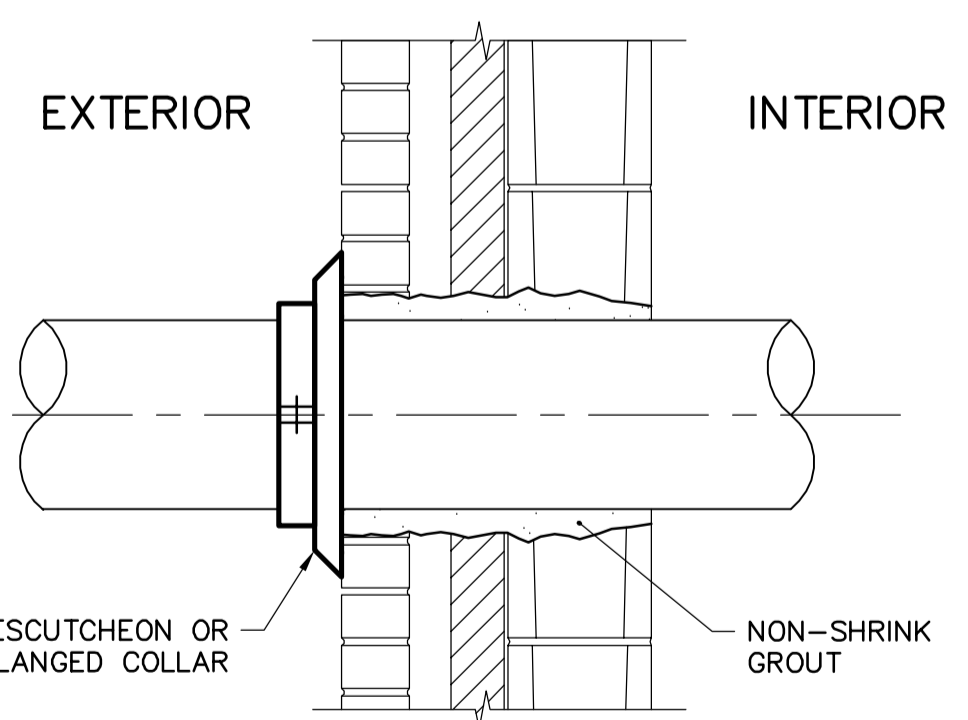
4 INSTRUMENT AIR CONNECTION
SCALE NONE

TIE-IN WITH 50Ø INSTRUMENT AIR LINE TO NEW PROBES



2 TANK FILL CONNECTION
SCALE NONE

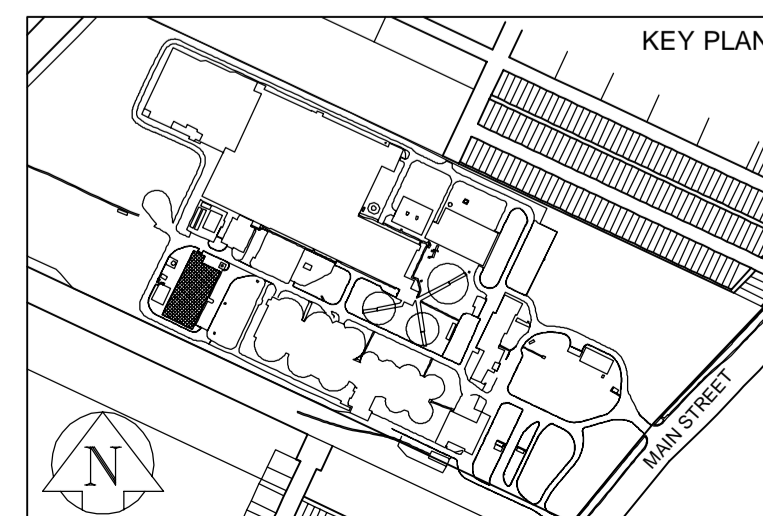
TIE-IN TO EXISTING 250Ø RAS LINES WITH 250x250x150 REDUCING TEE. CONNECT 150Ø FLUSHING WATER & PROVIDE ISOLATION VALVES PRIOR TO EACH CONNECTION.



3 WALL PENETRATION
SCALE NONE

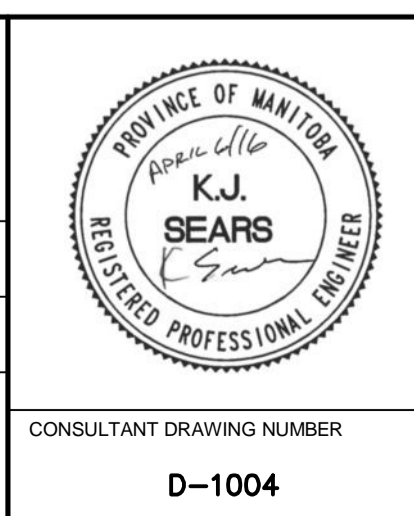
KEYNOTES:

- TIE-IN TO EXISTING HIGH PRESSURE, DRY COMPRESSED AIR SYSTEM.
 - AQUATHERM GREENPIPE, SDR 7.4
 - ROUTE OF INSTRUMENT AIR LINE IS DIAGRAMMATIC. EXACT ROUTING TO BE DETERMINED ON SITE.
 - SEE DETAIL 1 FOR APPROXIMATE CONNECTION LOCATION.
 - REUSE EXISTING PIPE SUPPORTS WHERE APPLICABLE.
- EXISTING 250Ø RAS LINE TO SBR 2 DOUBLES AS TANK FILL LINE.
 - 316L STANDARD WEIGHT STAINLESS STEEL PIPE
 - TIE-IN 150Ø FLUSHING WATER PIPE TO EXISTING RAS LINE DOWNSTREAM OF VALVE CV-282.
 - INSTALL NEW ISOLATION VALVE CV-282A ON FLUSHING WATER LINE (SHOWN ON VERTICAL)
- EXISTING 250Ø RAS LINE TO SBR 1 DOUBLES AS TANK FILL LINE.
 - 316L STANDARD WEIGHT STAINLESS STEEL PIPE
 - TIE-IN 150Ø FLUSHING WATER PIPE TO EXISTING RAS LINE DOWNSTREAM OF VALVE CV-182.
 - INSTALL NEW ISOLATION VALVE CV-182A ON FLUSHING WATER LINE (SHOWN ON VERTICAL)
- 50Ø INSTRUMENT AIR TO SODA ASH SILO
 - SEE DETAIL 3 FOR WALL PENETRATION
 - SEE DRAWING D-1001 FOR CONTINUATION OUTSIDE OF BUILDING.
 - SEE DRAWING D-1005 FOR SODA ASH SILO DETAILS
- 150Ø FLUSHING WATER LINE
 - SEE DETAIL 3 FOR WALL PENETRATION
 - INSULATED & HEAT TRACED PER SPECIFICATIONS.
 - SEE DRAWING C-1001 FOR CONTINUATION BELOW GRADE
- TIE-IN TO EXISTING HIGH PRESSURE, DRY COMPRESSED AIR SYSTEM.
 - AQUATHERM GREENPIPE, SDR 7.4
 - ROUTE OF INSTRUMENT AIR LINE IS DIAGRAMMATIC. EXACT ROUTING TO BE DETERMINED ON SITE.
 - REUSE EXISTING PIPE SUPPORTS WHERE APPLICABLE.
 - SEE DRAWING D-1001 FOR CONTINUATION OUTSIDE OF BUILDING.



| | | | |
|---|--------------|---|--|
| Certificate of Authorization AECOM Canada Ltd. No. 4671 Date: April 6/16 | | B.M. ELEV. | |
| DESIGNED BY RB CHECKED BY RB DRAWN BY RC APPROVED BY RB SCALE: HORIZONTAL NONE VERTICAL NONE DATE 2016 04 05 | | RELEASED FOR CONSTRUCTION CONSULTANT DRAWING NUMBER D-1004 | |
| 00 ISSUED FOR TENDER: BID OP 145-2016 NO. REVISIONS DATE BY | 16/04/06 SRG | PLOT DATE: 2016 04 05 | FILE PATH: P:\60338393\900-Work\910-CAD\20-SHEETS\01-60338393-SHT-30-0000-D-1004.dwg |

AECOM



THE CITY OF WINNIPEG
 WATER AND WASTE DEPARTMENT
 ENGINEERING DIVISION

2016 NEWPCC
 SBR UPGRADES
 PROCESS
 EXHAUST FAN ROOM & ELECTRICAL ROOM
 PLANS & DETAILS

CONSULTANT DRAWING NUMBER
D-1004

CITY DRAWING NUMBER
1-0101C-P0053-001-00

SHEET **14** OF **18**