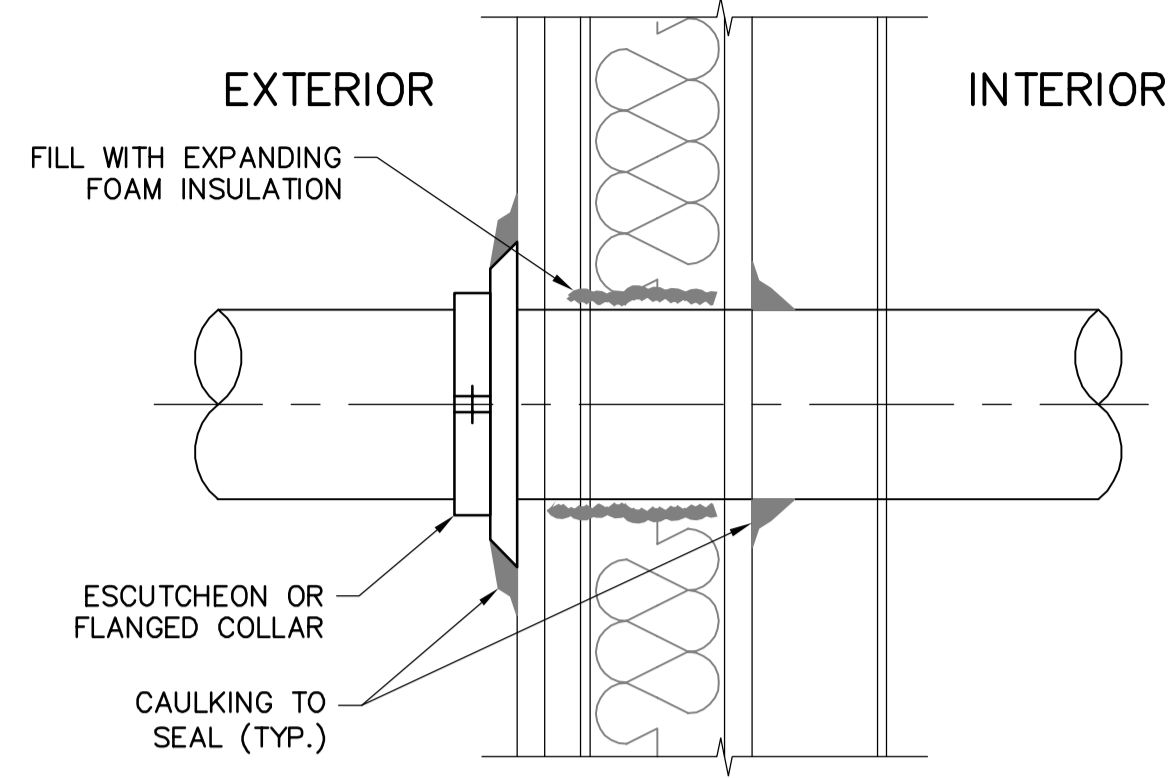
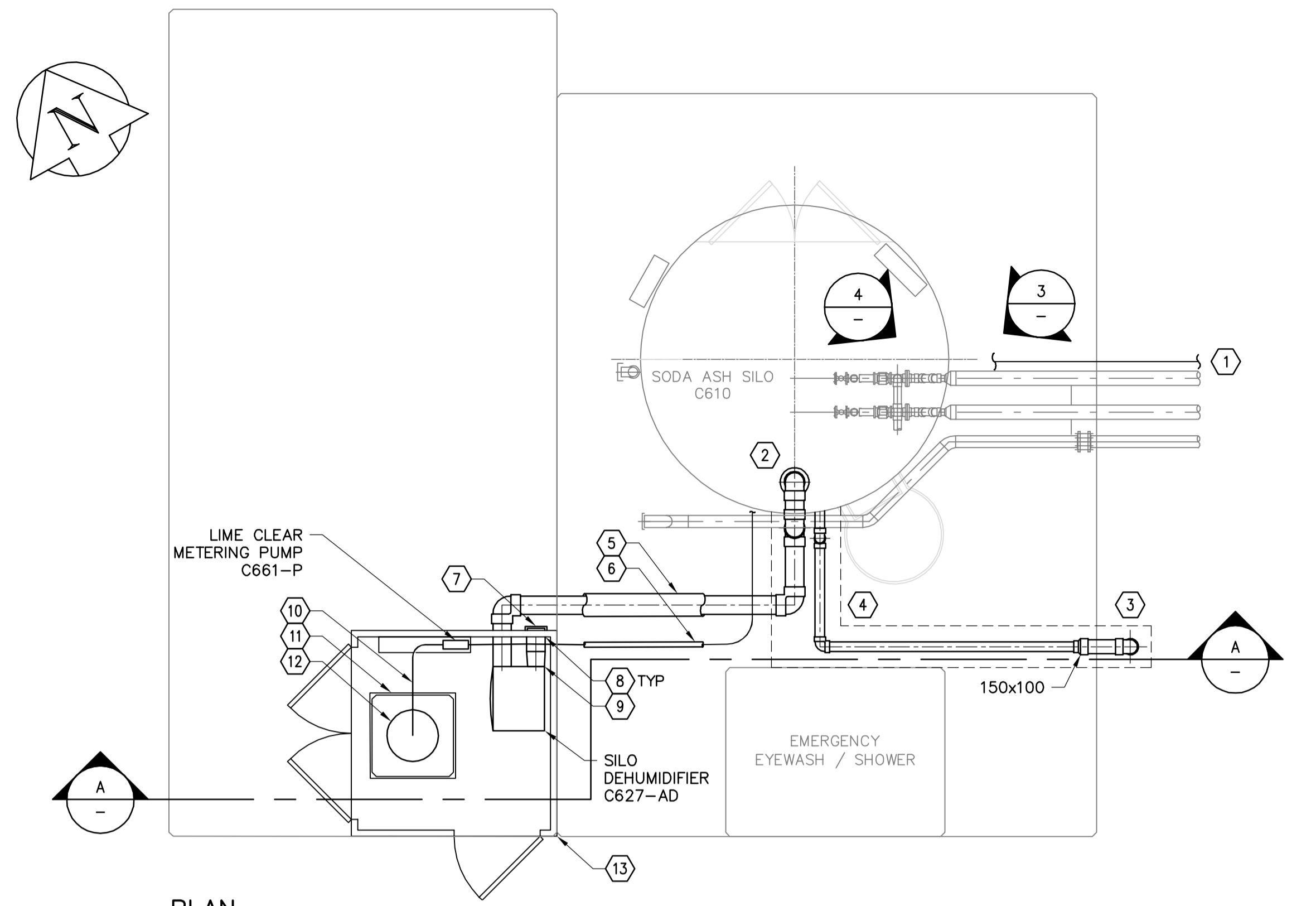


- NOTES:
1. PROVIDE SHOP DRAWING FOR REVIEW PRIOR TO CONSTRUCTION.
 2. 19mm PRESSURE TREATED PLYWOOD WITH 2x4 FRAME AND 100mm RIGID INSULATION, EXTERIOR CLADDING TO MATCH EXISTING SODA ASH SILO.
 3. PROVIDE HEAT TRACING

1 FLUSHING WATER INSULATION
SCALE NONE



2 WALL PENETRATION
SCALE NONE



PLAN
SCALE: 1:50

KEYNOTES:

- 500 INSTRUMENT AIR FROM EXISTING EXHAUST FAN ROOM.
 - AQUATHERM GREENPIPE, SDR 7.4
 - RATED FOR A WORKING PRESSURE OF 1400 kPa (200 psi)
 - SEE DRAWING D-1001 FOR CONTINUATION
- CUT HOLE FOR PIPE AND WELD ON FLANGED SPOOL PIECE FOR 200mm CONNECTION.
- 1500 FLUSHING WATER LINE
 - SCH80 PVC, INSULATED OUTSIDE OF SODA ASH SILO PER DETAIL 1
 - PROVIDE HEAT TRACING PER SPECIFICATIONS
 - SEE DRAWING C-1001 FOR CONTINUATION BELOW GRADE
- 1000 FLUSHING WATER LINE
 - SCH80 PVC, INSULATED OUTSIDE OF SODA ASH SILO PER DETAIL 1
 - PROVIDE HEAT TRACING PER SPECIFICATIONS
 - ENTER SODA ASH SILO PER DETAIL 2
 - SEE DETAIL 1 ON DRAWING D-0001 FOR LOCATION OF CONNECTION TO EXISTING 1000 PW LINE
 - PROVIDE INSULATION INSIDE SILO TO MATCH EXISTING
- 200mm DA FROM DEHUMIDIFIER
 - SCH80 PVC PIPING
 - PROVIDE INSULATION AS PER SPECIFICATIONS
- 8.0m± OF 12mm FLEXIBLE TUBING FROM LIME METERING PUMP TO EXISTING BATCH TANK
 - ROUTING IS DIAGRAMMATIC, EXACT ROUTING TO BE DETERMINED ON SITE
 - PROVIDE INSULATION & HEAT TRACING AS PER SPECIFICATIONS
- 200mm OA DEHUMIDIFIER INLET
 - SCH80 PVC PIPING
- FOR ALL WALL PENETRATIONS AT CHEMICAL METERING SHED, SEE DETAIL 2.
- CONFIRM EXACT SIZE & LOCATION OF PIPE CONNECTIONS TO DEHUMIDIFIER PRIOR TO COMMENCING WORK. PROVIDE 1mm MESH BUG SCREEN FOR BOTH 2000 OA & 1500 HA.
- 2.3m± OF 25mm FLEXIBLE TUBING FROM LIME CLEAR STORAGE BARREL TO LIME METERING PUMP INLET.
 - ROUTING IS DIAGRAMMATIC, EXACT ROUTING TO BE DETERMINED ON SITE.
- 230L SPILL CONTAINMENT,
 - ULTRA SPILL PALLET P1 PLUS, OR APPROVED EQUAL.
- 610mmØ, 207L SS LIME CLEAR STORAGE BARREL.
- CHEMICAL METERING SHED, PROVIDE INSULATED ENCLOSURE. SEE KEYNOTE 3 ON DRAWING D-1001 FOR DETAILS.
- AIR CANNONS SAC-626-1, SAC-626-2 & SAC-626-3
 - CONFIGURATION IS DIAGRAMMATIC.
 - LOCATIONS TO BE CONFIRMED BY EQUIPMENT SUPPLIER.
 - SUPPORT AS PER MANUFACTURER'S RECOMMENDATIONS.
 - CONNECT 500 AQUATHERM GREENPIPE, SDR 7.4 INSTRUMENT AIR LINES AS PER MANUFACTURER'S RECOMMENDATIONS. EXACT ROUTING TO BE DETERMINED ON SITE.

NOTE:

- FIELD FABRICATE PIPE SUPPORTS, SPACED AT 2500mm O/C. WHERE PIPES ARE SUPPORTED ON THE SILO FACE, RESTORE SILO INSULATION AND CLADDING TO ORIGINAL CONDITION, AND PROVIDE FLASHING.

500 INSTRUMENT AIR ENTRY INTO EXISTING SODA ASH SILO. SEE DETAIL 2 FOR PENETRATION DETAILS, SEE DETAIL 4 FOR CONTINUATION

SUPPORT ON EXISTING PIPE



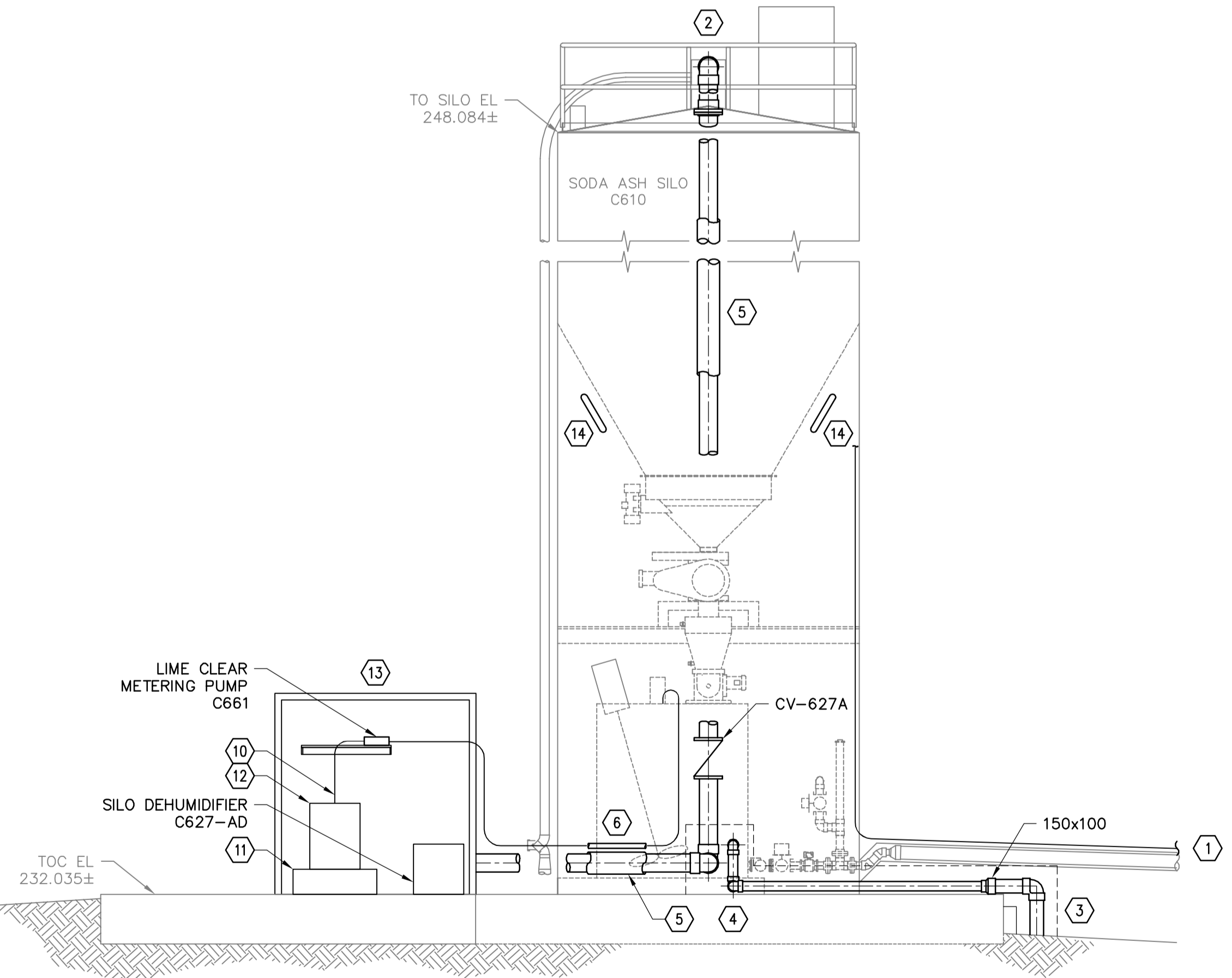
3 INSTRUMENT AIR
SCALE NONE

UP TO AIR CANNONS. EXACT ROUTING TO BE DETERMINED ON SITE

500 INSTRUMENT AIR

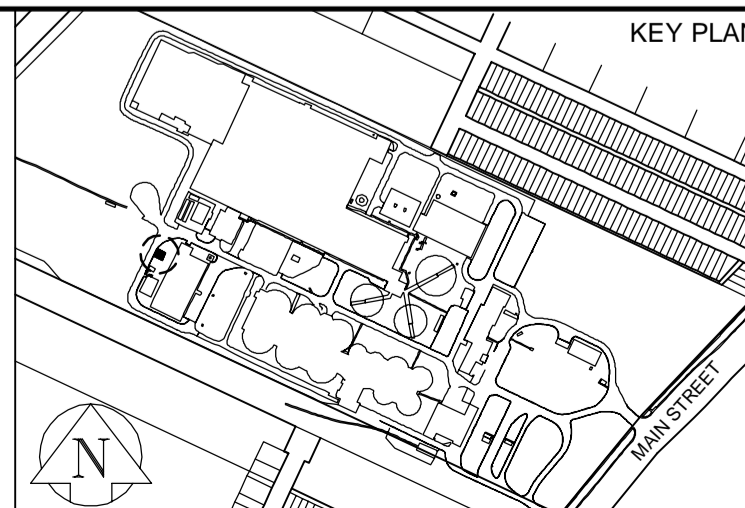


4 INSTRUMENT AIR
SCALE NONE



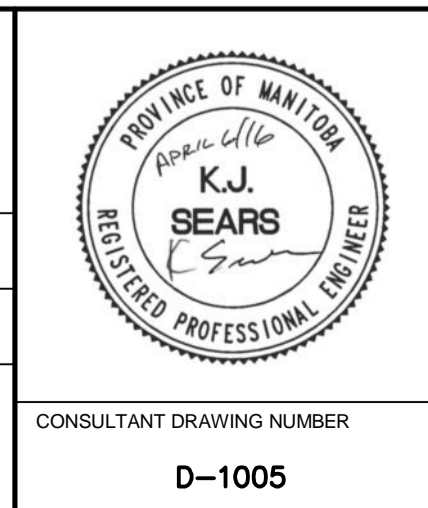
A SECTION
SCALE 1:50

NOTICE:
AS-CONSTRUCTED DIMENSIONS, MEASUREMENTS AND OTHER DETAILS CONTAINED IN THIS RECORD DRAWING HAVE BEEN OBTAINED BY AECOM CANADA LTD. ("AECOM") FROM VARIOUS SOURCES. SUCH INFORMATION REPRESENTS THE BEST INFORMATION AVAILABLE TO AECOM AT THE TIME OF PREPARATION OF THIS RECORD DRAWING. AECOM DOES NOT IN ANY WAY REPRESENT OR WARRANT THAT SUCH INFORMATION IS ACCURATE AND ASSUMES NO RESPONSIBILITY FOR ANY ERRORS OR OMISSIONS CONTAINED THEREIN.



APEGM Certificate of Authorization AECOM Canada Ltd. No. 4671 Date: April 6/16			
B.M. ELEV.			
00	ISSUED FOR TENDER: BID OP 145-2016	16/04/06	SRG
NO.	REVISIONS	DATE	BY
		2016 04 05	
PLOT DATE: 2016 04 05			

AECOM	
DESIGNED BY CGL	CHECKED BY KJS
DRAWN BY SRG	APPROVED BY KJS
SCALE: HORIZONTAL AS NOTED	RELEASED FOR CONSTRUCTION
VERTICAL	
DATE: 2016 04 05	DATE:
CONSULTANT DRAWING NUMBER: D-1005	



THE CITY OF WINNIPEG WATER AND WASTE DEPARTMENT ENGINEERING DIVISION
2016 NEWPCC SBR UPGRADES PROCESS SODA ASH SYSTEM PLAN, SECTION & DETAILS
CITY DRAWING NUMBER: 1-0101C-P0054-001-00
SHEET 15 OF 18