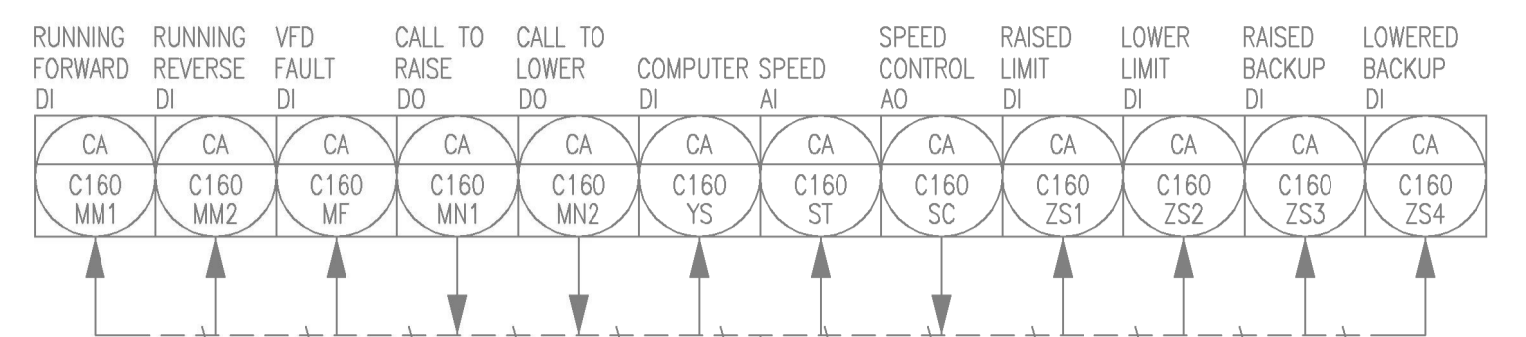
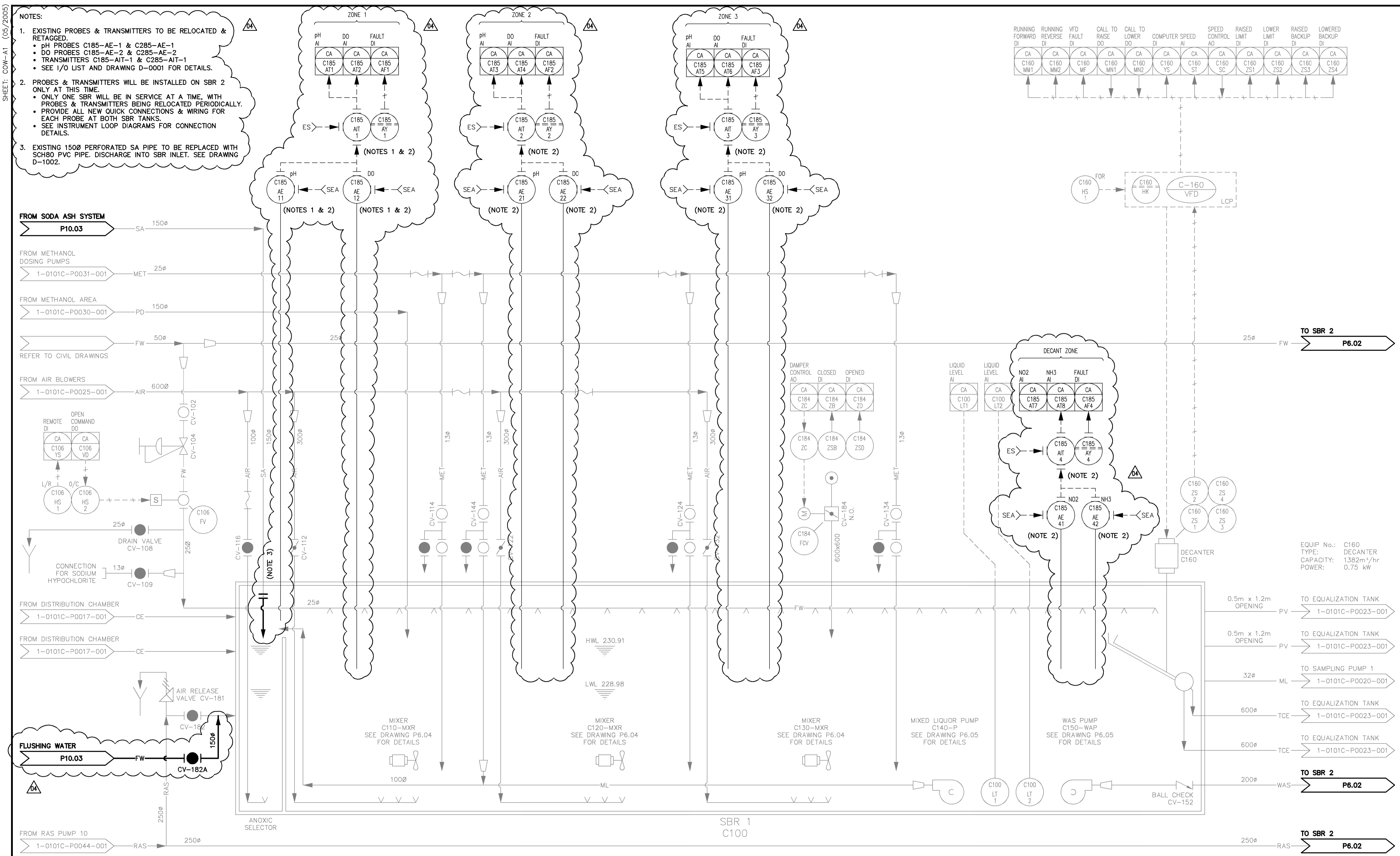


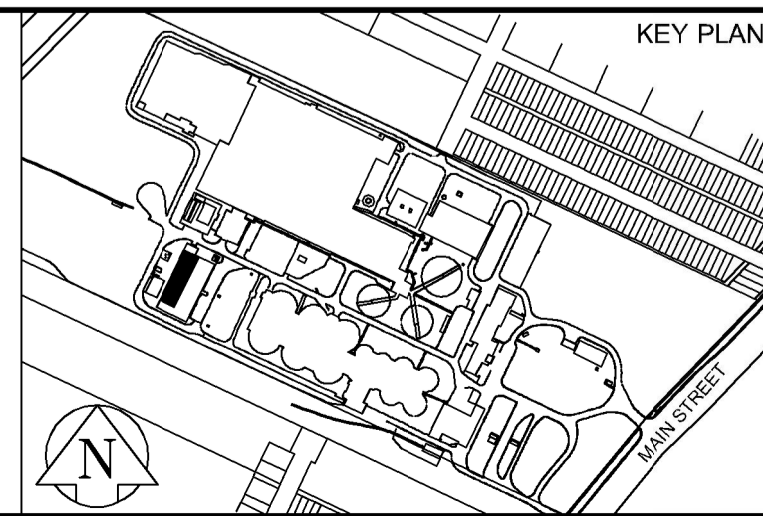
- NOTES:**
- EXISTING PROBES & TRANSMITTERS TO BE RELOCATED & RETAGGED.
 - pH PROBES C185-AE-1 & C285-AE-1
 - DO PROBES C185-AE-2 & C285-AE-2
 - TRANSMITTERS C185-AIT-1 & C285-AIT-1
 - SEE I/O LIST AND DRAWING D-0001 FOR DETAILS.
 - PROBES & TRANSMITTERS WILL BE INSTALLED ON SBR 2 ONLY AT THIS TIME.
 - ONLY ONE SBR WILL BE IN SERVICE AT A TIME, WITH PROBES & TRANSMITTERS BEING RELOCATED PERIODICALLY.
 - PROVIDE ALL NEW QUICK CONNECTIONS & WIRING FOR EACH PROBE AT BOTH SBR TANKS.
 - SEE INSTRUMENT LOOP DIAGRAMS FOR CONNECTION DETAILS.
 - EXISTING 150Ø PERFORATED SA PIPE TO BE REPLACED WITH SCH80 PVC PIPE. DISCHARGE INTO SBR INLET. SEE DRAWING D-1002.



EQUIP No.: C160
 TYPE: DECANTER
 CAPACITY: 1382m³/hr
 POWER: 0.75 kW

NOTICE:
 AS-CONSTRUCTED DIMENSIONS, MEASUREMENTS AND OTHER DETAILS CONTAINED IN THIS RECORD DRAWING HAVE BEEN OBTAINED BY AECOM CANADA LTD. ("AECOM") FROM VARIOUS SOURCES. SUCH INFORMATION REPRESENTS THE BEST INFORMATION AVAILABLE TO AECOM AT THE TIME OF PREPARATION OF THIS RECORD DRAWING. AECOM DOES NOT IN ANY WAY REPRESENT OR WARRANT THAT SUCH INFORMATION IS ACCURATE AND ASSUMES NO RESPONSIBILITY FOR ANY ERRORS OR OMISSIONS CONTAINED THEREIN.

REVISION 04 CHANGES	
THE ENGINEER'S DESIGN RESPONSIBILITIES ARE LIMITED TO THE CHANGES INDICATED IN THE CLOUDED WORK	
DESIGNED BY: CGL	CHECKED BY: KJS
DRAWN BY: SRG	APPROVED BY: KJS
DATE: -	RELEASED FOR CONSTR. DATE: -



AECOM
 Certificate of Authorization
 AECOM Canada Ltd.
 No. 4671 Date: April 6/16

NO.	REVISIONS	DATE	BY
04	ISSUED FOR TENDER: BID OP 145-2016	16/04/06	SRG
03	AS-CONSTRUCTED DRAWING	09/02/19	DEP
02	ISSUED FOR DCS PROGRAMMING	07/12/17	GLG
01	ISSUED FOR CONSTRUCTION	06/08/30	GLG
00	ISSUED FOR TENDER	06/05/15	SRP

EarthTech
 A Tyco International Ltd. Company

DESIGNED BY: YL/CD	CHECKED BY: SB/PS
DRAWN BY: SRP	APPROVED BY:
SCALE: NONE	RELEASED FOR CONSTRUCTION BY:
DATE: 2006/01/16	DATE:

ENGINEER'S SEAL
 PROVINCE OF MANITOBA
 K.J. SEARS
 REGISTERED PROFESSIONAL ENGINEER

THE CITY OF WINNIPEG
 WATER AND WASTE DEPARTMENT
 ENGINEERING DIVISION

NEWPCC CENTRATE NUTRIENT TREATMENT NITROGEN REMOVAL FACILITY

PROCESS SBR 1
 PROCESS & INSTRUMENTATION DIAGRAM

CITY FILE NUMBER: -
 SHEET OF: -
 CITY DRAWING NUMBER: 1-0101C-P0018-001-04

CONSULTANT DRAWING NO. P6.01