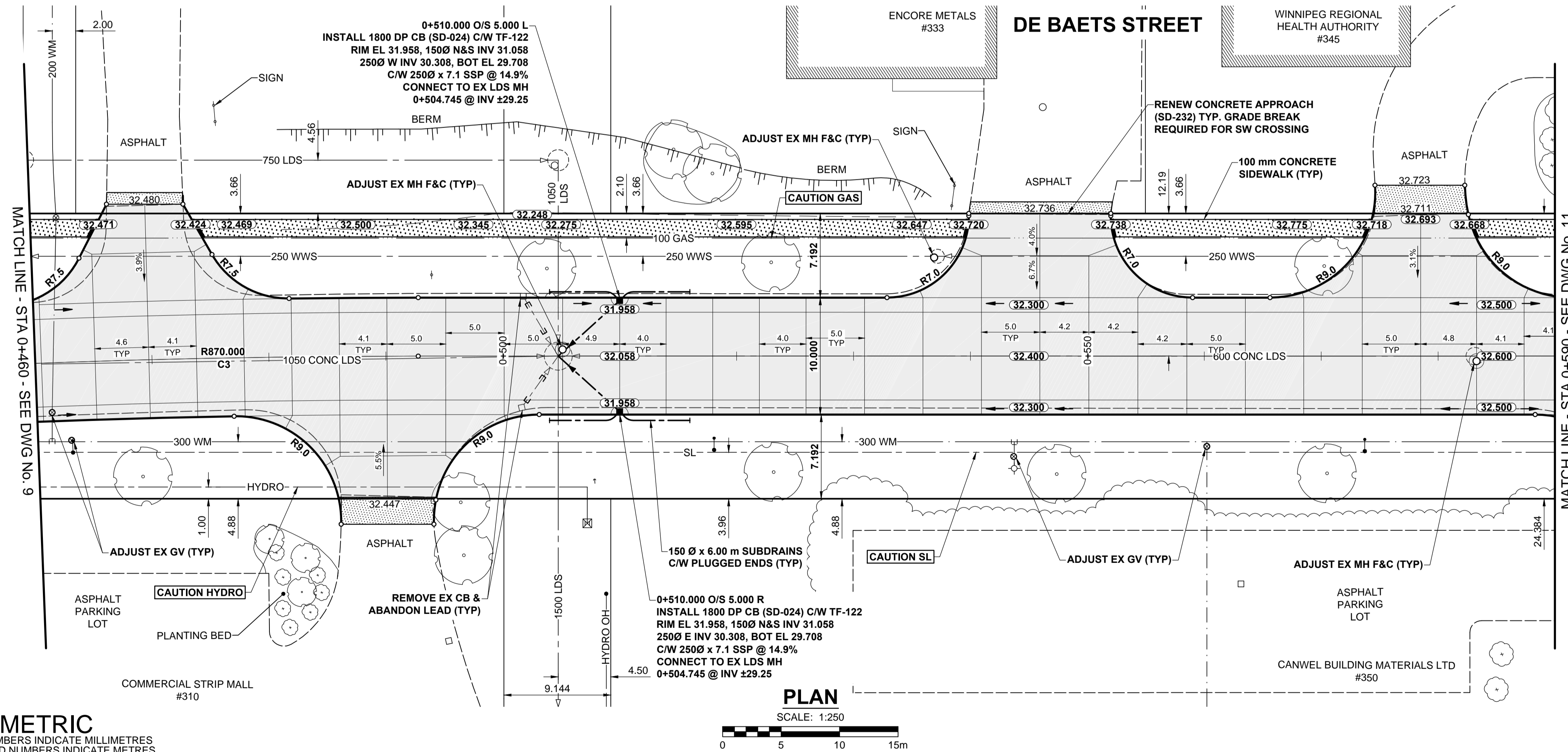
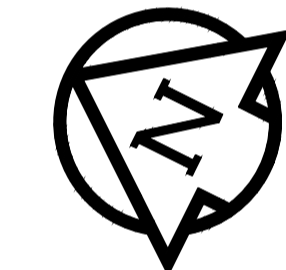


- NOTES**
- ADJUST MH AND CB RIMS TO NEW GRADES.
 - LAMP STANDARDS, HYDRO POLES, AND ANCHORS THAT REQUIRE TEMPORARY SUPPORT, REMOVAL OR REPLACEMENT, TO BE DONE SO AT THE EXPENSE OF THE CONTRACTOR AS NECESSARY.
 - CONTRACTOR TO REGRADE/RENEW EXISTING PRIVATE SIDEWALKS TO LIMITS AS SHOWN. SIDEWALKS TO BE RENEWED WITH CONCRETE UNLESS NOTED OTHERWISE.
 - CONTRACTOR TO TAKE PRECAUTIONARY STEPS TO PROTECT EXISTING TREES WITHIN THE LIMITS OF CONSTRUCTION FROM DAMAGE FROM CONSTRUCTION ACTIVITIES AS OUTLINED IN THE SPECIFICATIONS.
 - CONTRACTOR TO CONFIRM THE LOCATION OF ALL UTILITIES/SERVICES IN THE FIELD PRIOR TO CONSTRUCTION.
 - CB SD-023 & SD-024 OFFSETS ARE DIMENSIONED TO BOC. CB SD-025 OFFSETS ARE DIMENSIONED O/C.
 - IN GENERAL, PAVEMENT AND SIDEWALK AREAS TO BE REMOVED. MATCH RECONSTRUCTION LIMITS.
 - REFER TO BID OPPORTUNITY FOR DETAILS REGARDING TRAFFIC MANAGEMENT.
 - ALL EXISTING LONG WATER SERVICES TO BE INSULATED (SD-018). REFER TO BID OPPORTUNITY FOR FURTHER REQUIREMENTS.
 - ADD 200.000m TO ABBREVIATED ELEVATIONS TO OBTAIN GEODETIC ELEVATIONS.
 - MODIFIED BARRIER CURB & GUTTER INLET FRAME & COVER TF-122.

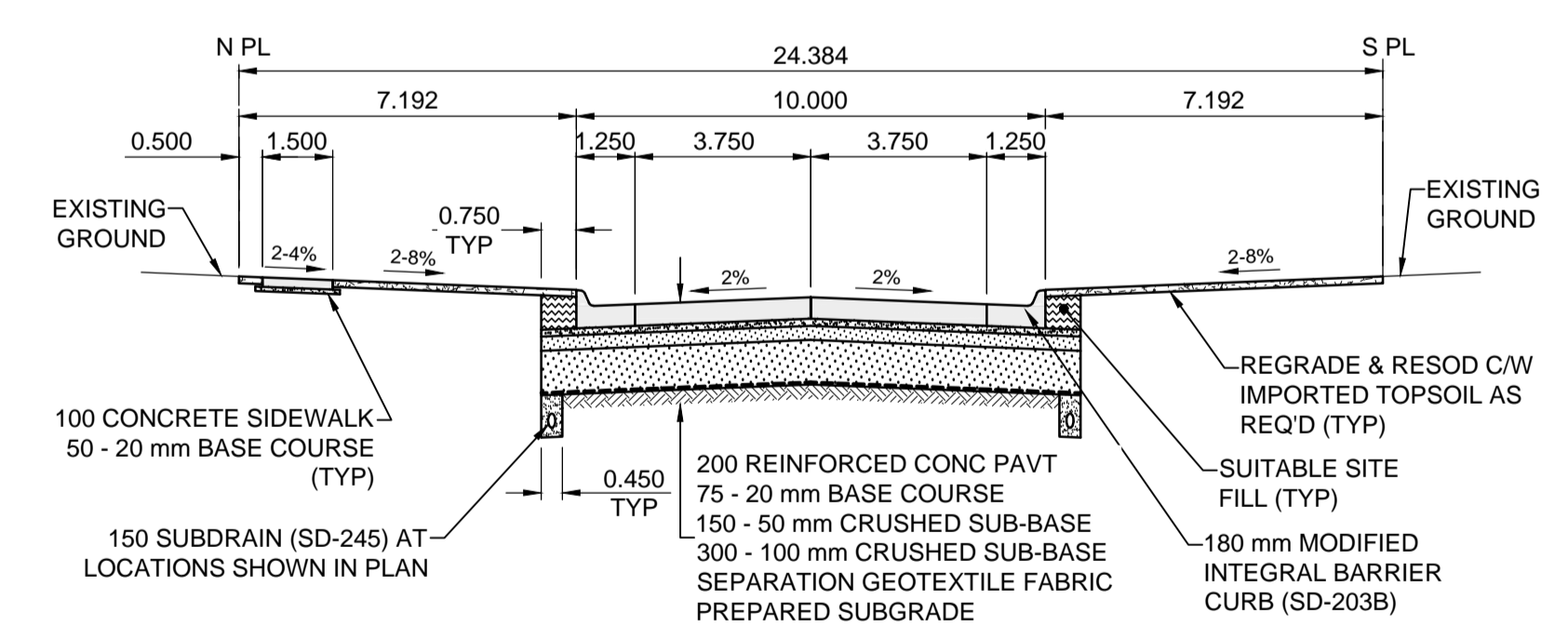


CONTROL LINE - CURVES				
CURVE	RADIUS	LENGTH	DELTA	TANGENT
C3	870.000	122.782	8°05'10"	61.493



MATCH LINE - STA 0+460 - SEE DWG No. 9

MATCH LINE - STA 0+590 - SEE DWG No. 11



METRIC
WHOLE NUMBERS INDICATE MILLIMETRES
DECIMALIZED NUMBERS INDICATE METRES

EXISTING	NEW	EXISTING	NEW	EXISTING	NEW	EXISTING	NEW

LOCATION APPROVED
UNDERGROUND STRUCTURES

DATE: _____

NOTE: LOCATION OF UNDERGROUND STRUCTURES AS SHOWN ARE BASED ON THE BEST INFORMATION AVAILABLE BUT NO GUARANTEE IS GIVEN THAT ALL EXISTING UTILITIES ARE SHOWN OR THAT THE GIVEN LOCATIONS ARE EXACT. CONFIRMATION OF EXISTENCE AND EXACT LOCATION OF ALL SERVICES MUST BE OBTAINED FROM THE INDIVIDUAL UTILITIES BEFORE PROCEEDING WITH CONSTRUCTION.

No.	REVISIONS	DATE	BY
C	REVISED FOR ADDENDUM 1	16/04/15	RPB
B	ISSUED FOR TENDER	16/04/07	RPB
A	ISSUED FOR CLIENT REVIEW	16/03/01	RPB

MORRISON HERSHFIELD

DESIGNED BY: RPB
 CHECKED BY: WRJ
 DRAWN BY: DML
 APPROVED BY: BWB
 RELEASED FOR CONSTRUCTION

HOR SCALE: 1:250
 VERT SCALE: 1:10
 DATE: 15/12/29

PROFESSIONAL'S SEAL
 PROVINCE OF MANITOBA
 REGISTERED PROFESSIONAL ENGINEER
R.P. BRUCE
 CONSULTANT FILE NAME
 W160001-De Baets-PP-04.dwg

THE CITY OF WINNIPEG
PUBLIC WORKS DEPARTMENT
ENGINEERING DIVISION

2016 LOCAL STREETS PACKAGE
DE BAETS STREET
PAQUIN RD TO CAMIEL SYS ST
CONCRETE RECONSTRUCTION
HORIZONTAL AND VERTICAL ALIGNMENT
STA 0+460 TO STA 0+590

CITY DRAWING NUMBER: N/A
 SHEET 10 OF 13
 DRAWING No. 10 REV C

BID OPPORTUNITY No. 163-2016