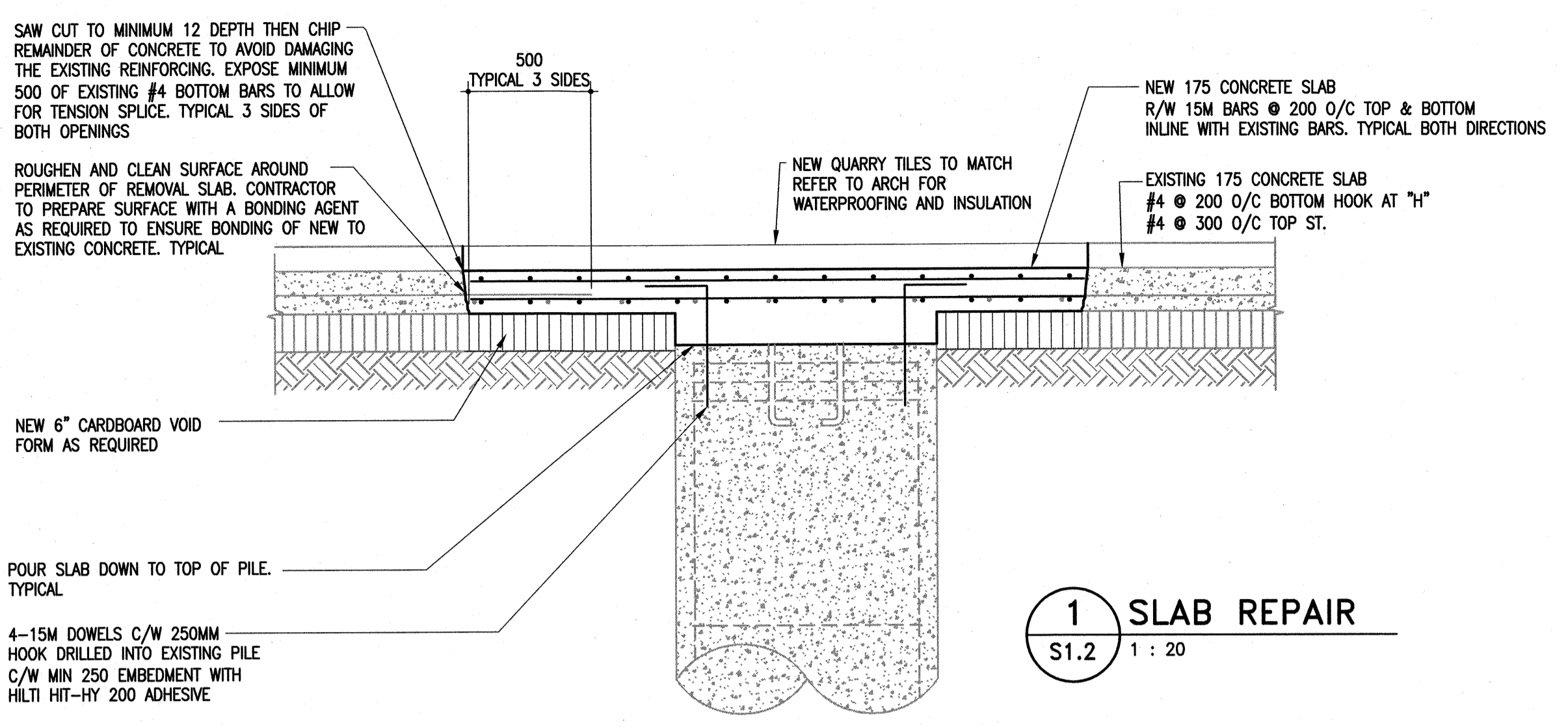
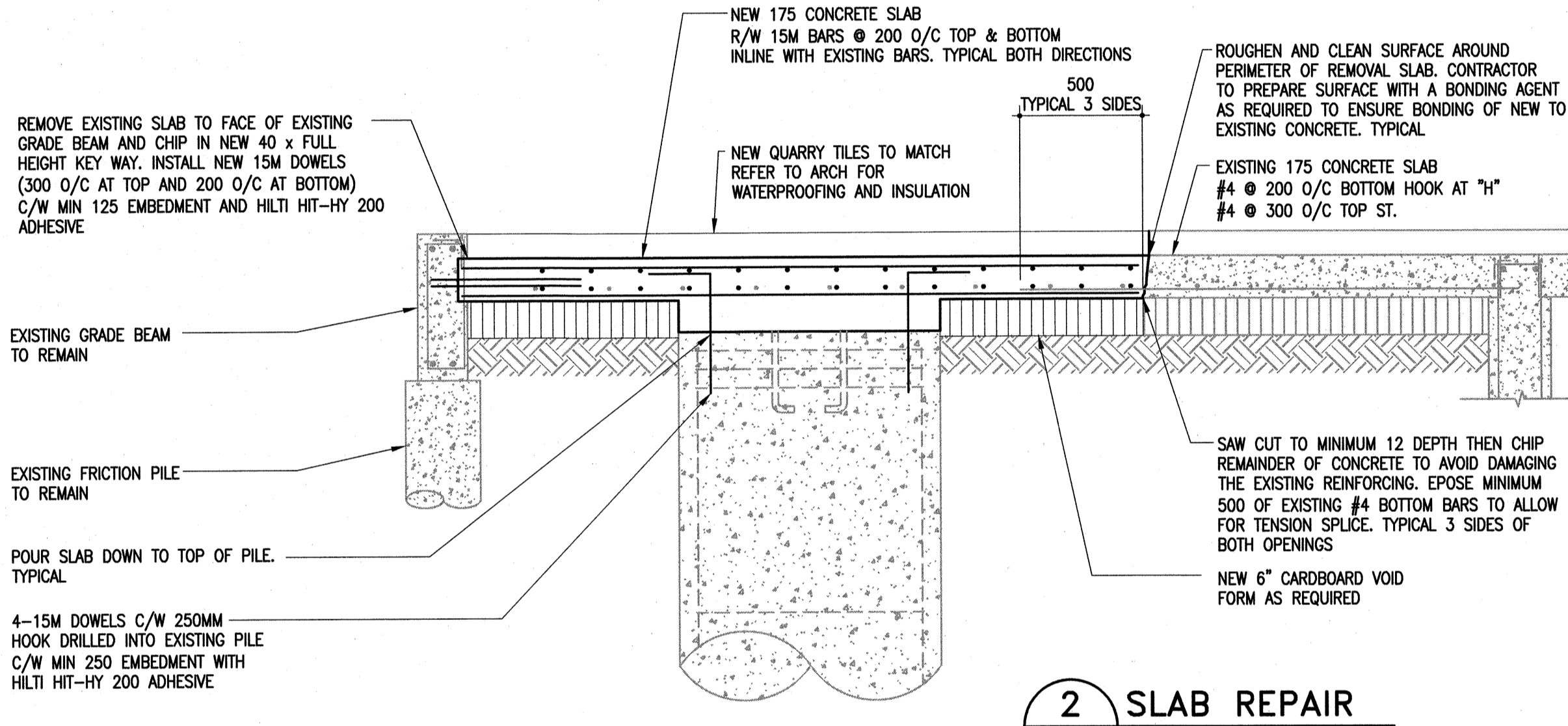


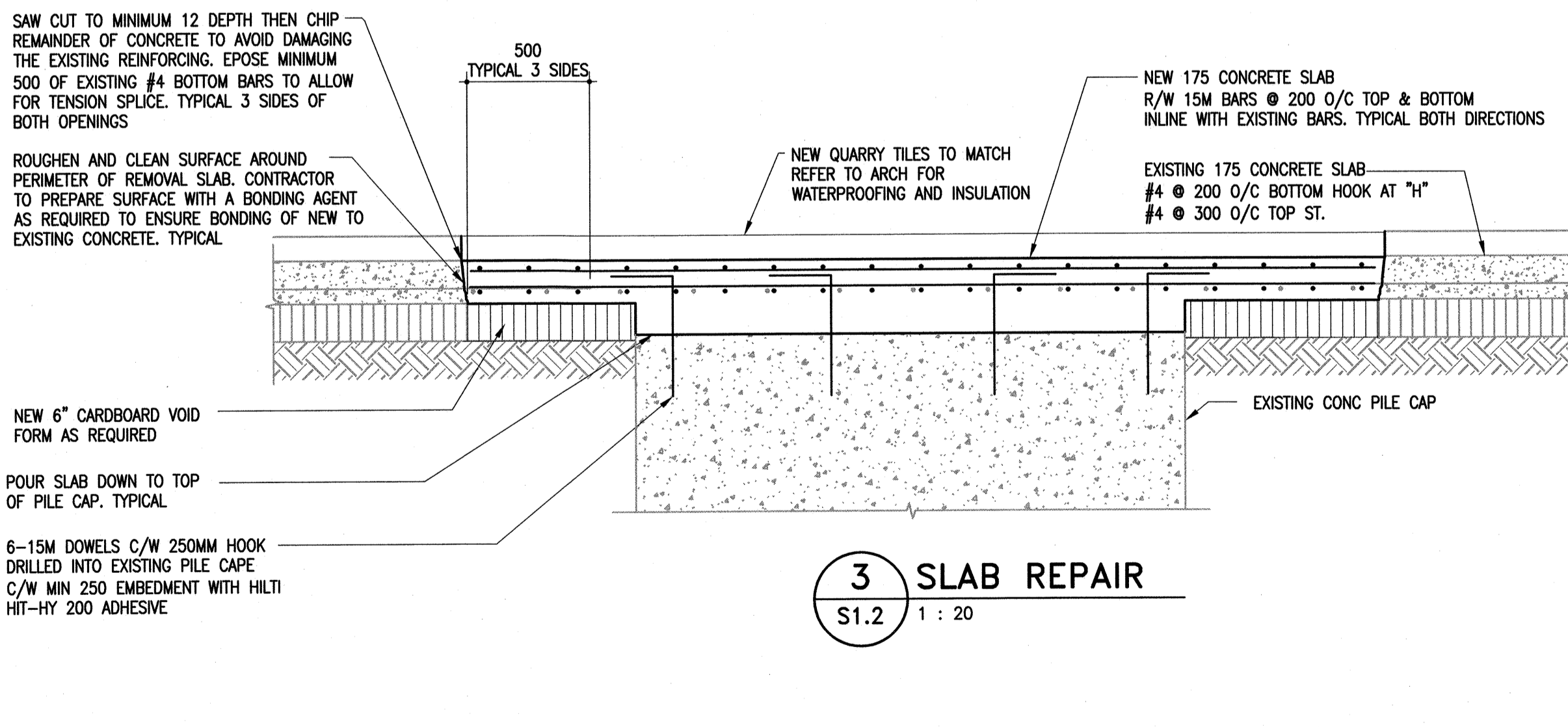
FILE NAME: 216-2016 Drawing_S1.2.R3.pdf
 DATE: 2016.03.29
 SHEET TITLE: GENERAL NOTES, SECTIONS & DETAILS
 PROJECT No: 2015-075
 ADDRESS: 375 YORK AVENUE, WINNIPEG, MB



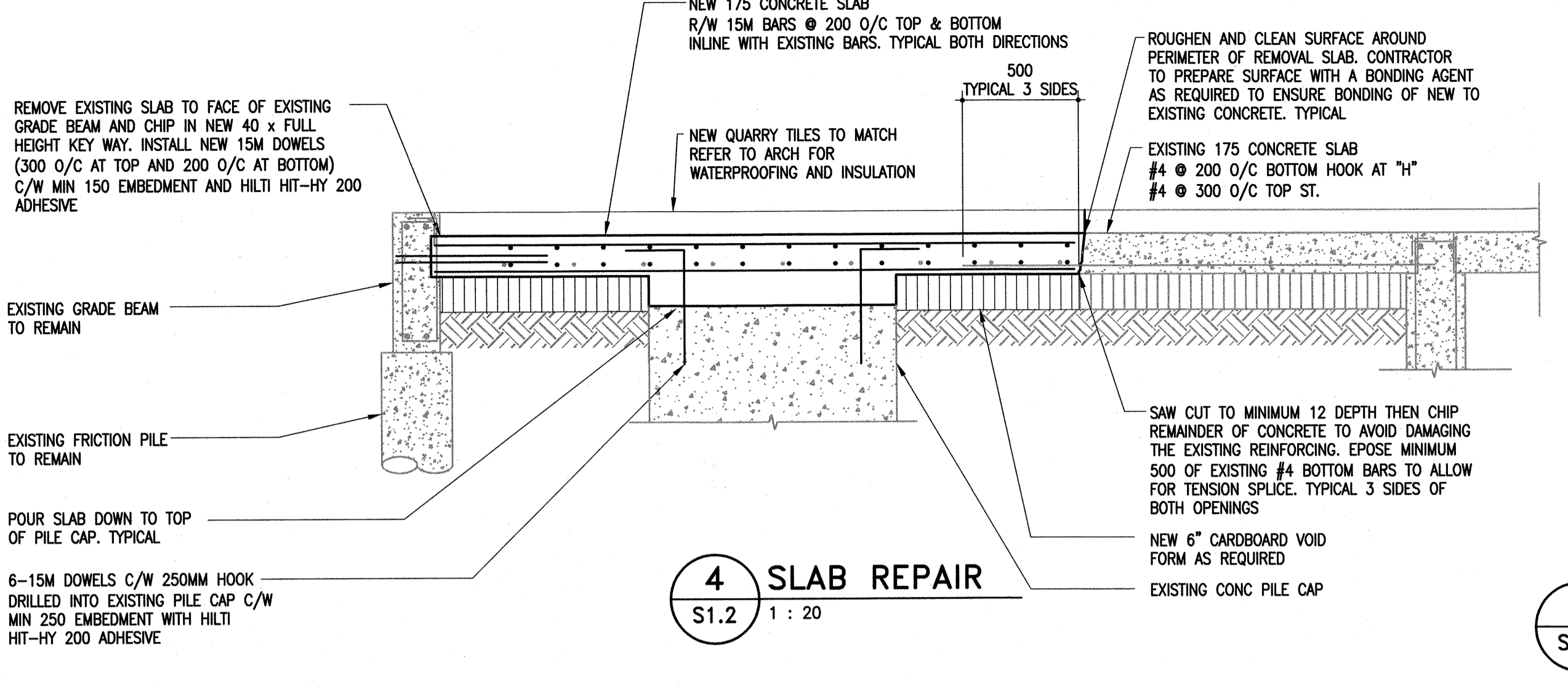
1 SLAB REPAIR
 S1.2 1 : 20



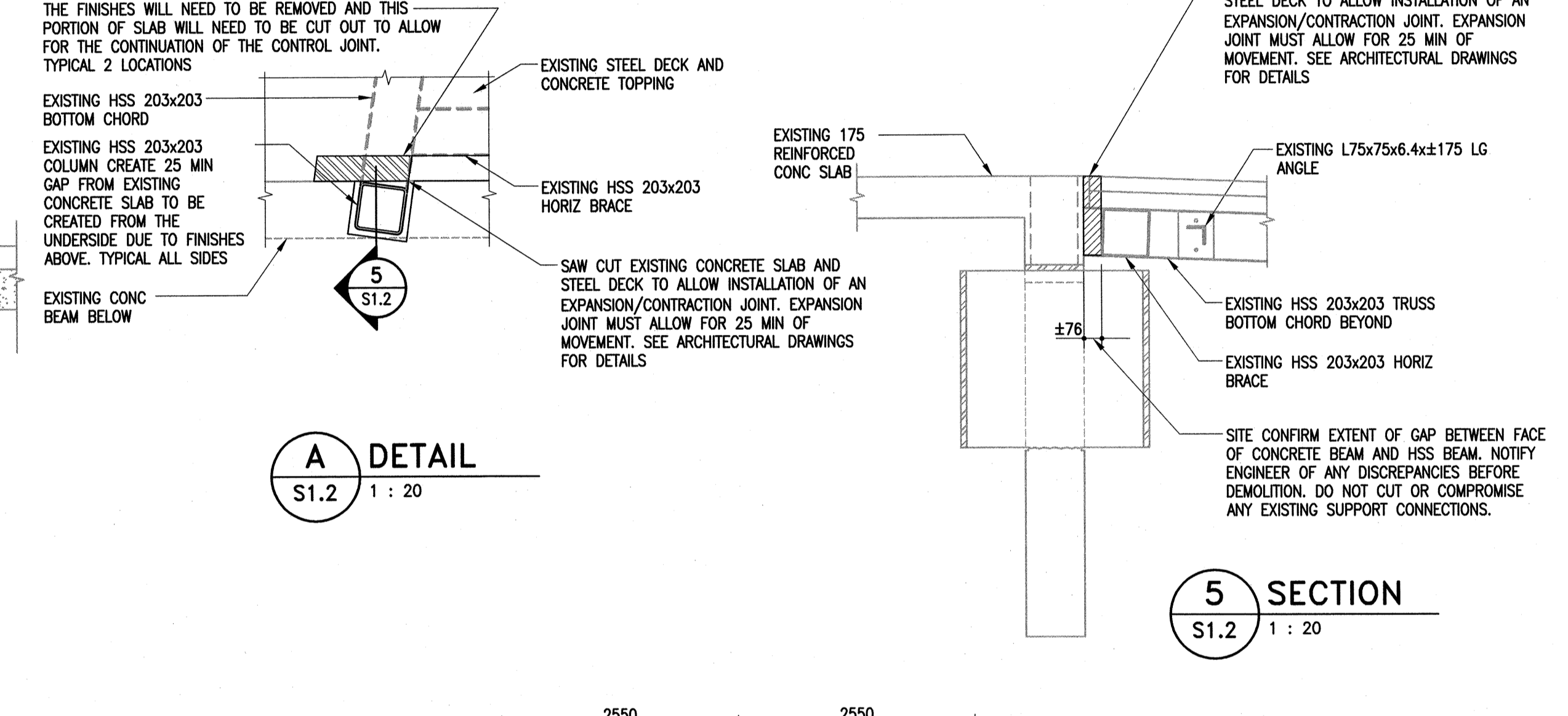
2 SLAB REPAIR
 S1.2 1 : 20



3 SLAB REPAIR
 S1.2 1 : 20

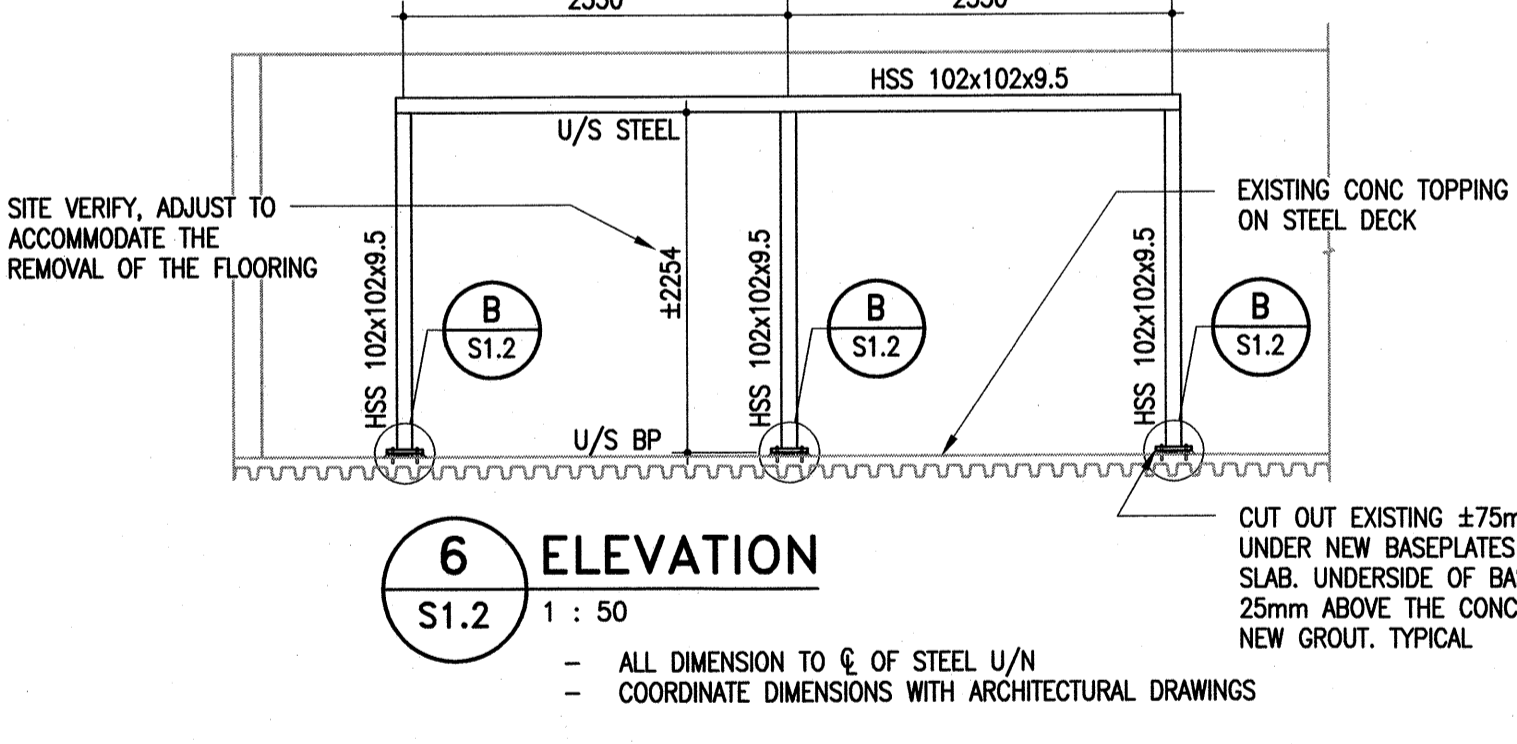


4 SLAB REPAIR
 S1.2 1 : 20

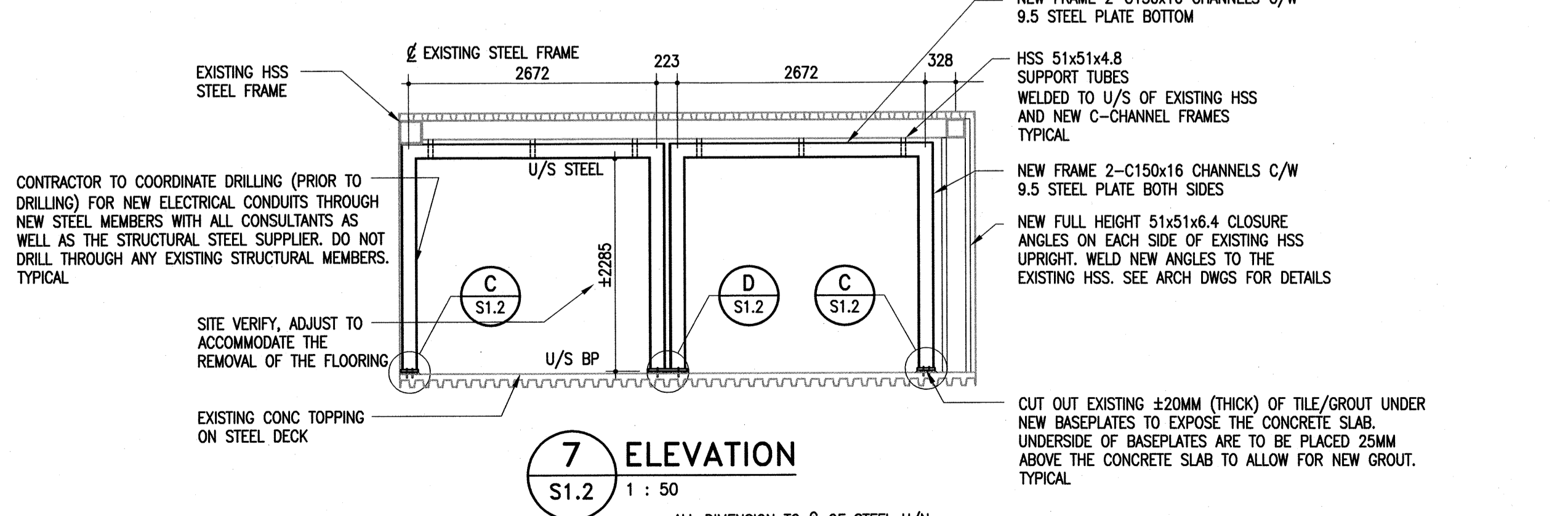


A DETAIL
 S1.2 1 : 20

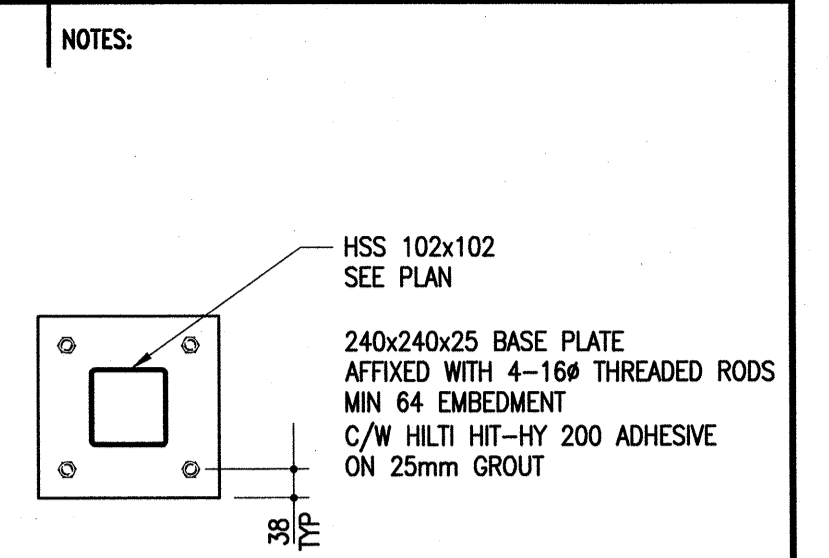
5 SECTION
 S1.2 1 : 20



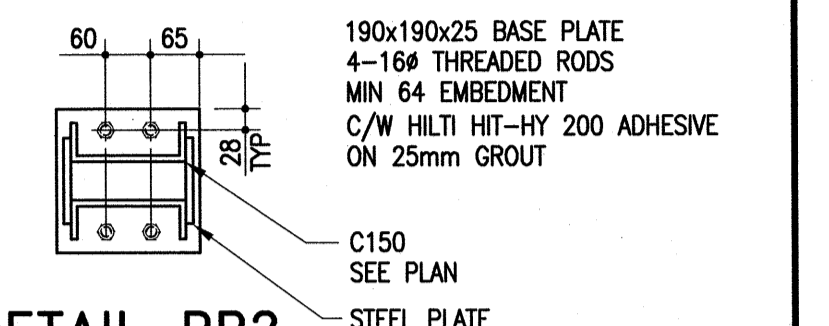
6 ELEVATION
 S1.2 1 : 50



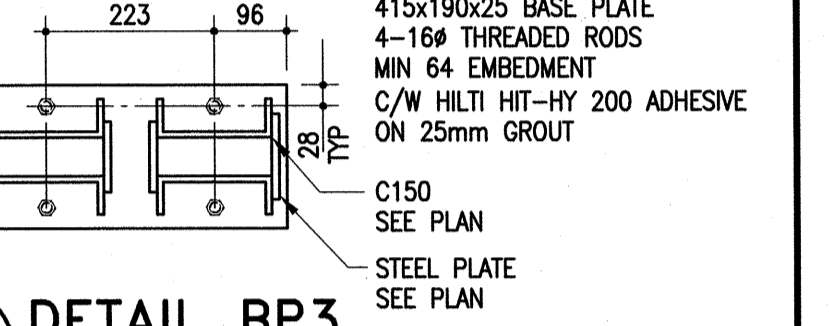
7 ELEVATION
 S1.2 1 : 50



B DETAIL BP1
 S1.2 1 : 10



C DETAIL BP2
 S1.2 1 : 10



D DETAIL BP3
 S1.2 1 : 10

300-275 Carlton Street
 Winnipeg, Manitoba R3C 5R6
 T 204. 943. 7501
 F 204. 943. 7507
 2016-0126

Crosier Kilgour & Partners Ltd.
 CONSULTING STRUCTURAL ENGINEERS

3	ISSUED FOR CONSTRUCTION	NAP 2016.03.29
2	ISSUED FOR 95% REVIEW SUBMISSION	NAP 2016.03.18
1	ISSUED FOR 65% REVIEW SUBMISSION	NAP 2016.03.08

No.	REVISION/DESCRIPTION	BY	DATE

APEGM
 Certificate of Authorization
 Crosier Kilgour & Partners Ltd.
 No. 235 Date: Mar 24, 2016

PROVINCE OF MANITOBA
 March 24, 2016
N.A. PENNER
 Member
 30033
 REGISTERED PROFESSIONAL ENGINEER

DRAWN	ZBG	CHECKED	NAP	DESIGNED	NAP	APPROVED	NAP
DATE	2016.03.24	USER	APPROVAL				

THE CITY OF WINNIPEG
 PLANNING, PROPERTY AND
 DEVELOPMENT DEPARTMENT
 MUNICIPAL ACCOMMODATIONS DIVISION
 3-65 GARRY STREET, R3C 4K4

PROJECT
RBC CONVENTION CENTRE
 ARCHITECTURAL RESTORATION OF THE
 NORTH RBC CONVENTION CENTRE SKYWALK
 375 YORK AVE WINNIPEG, MANITOBA

SHEET TITLE
GENERAL NOTES, SECTIONS & DETAILS