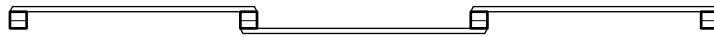
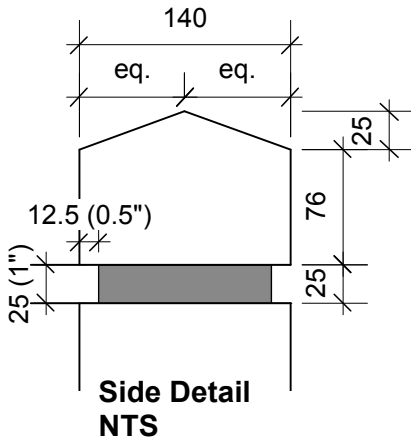


Drawing Title:

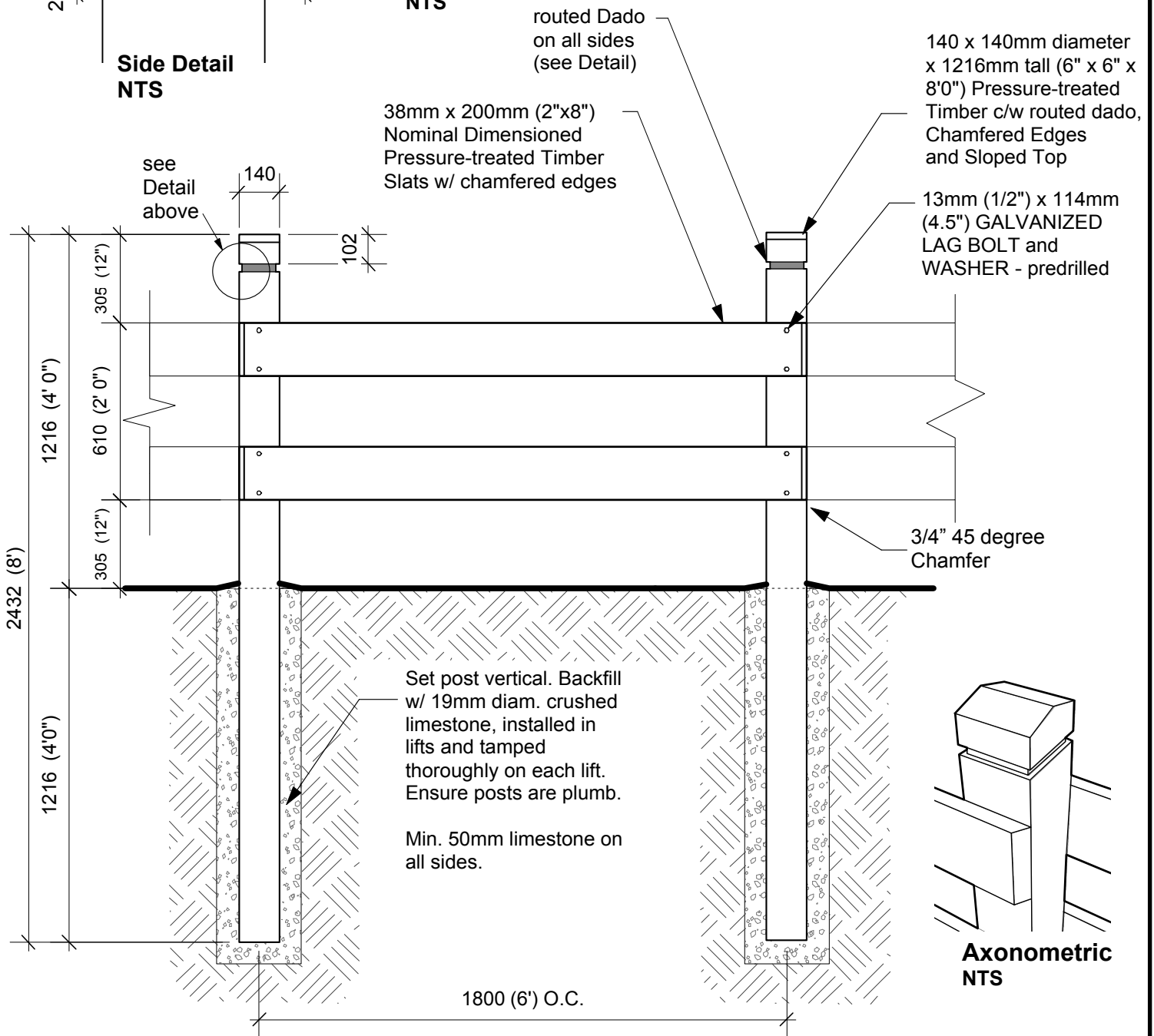
POST AND WOOD FENCING

Drawing No:

SCD-105E



Plan View NTS



DIMENSIONS SHOWN ARE IN MILLIMETRES UNLESS OTHERWISE SPECIFIED

REVISION: 1
 DATE: April, 2016
 SCALE: N.T.S
 DRAWN BY: IL

The City of Winnipeg
 Planning, Property and Development Department
 Planning and Land Use Division
 Unit 15 - 30 Fort Street, Winnipeg, MB, R3C 4X5

