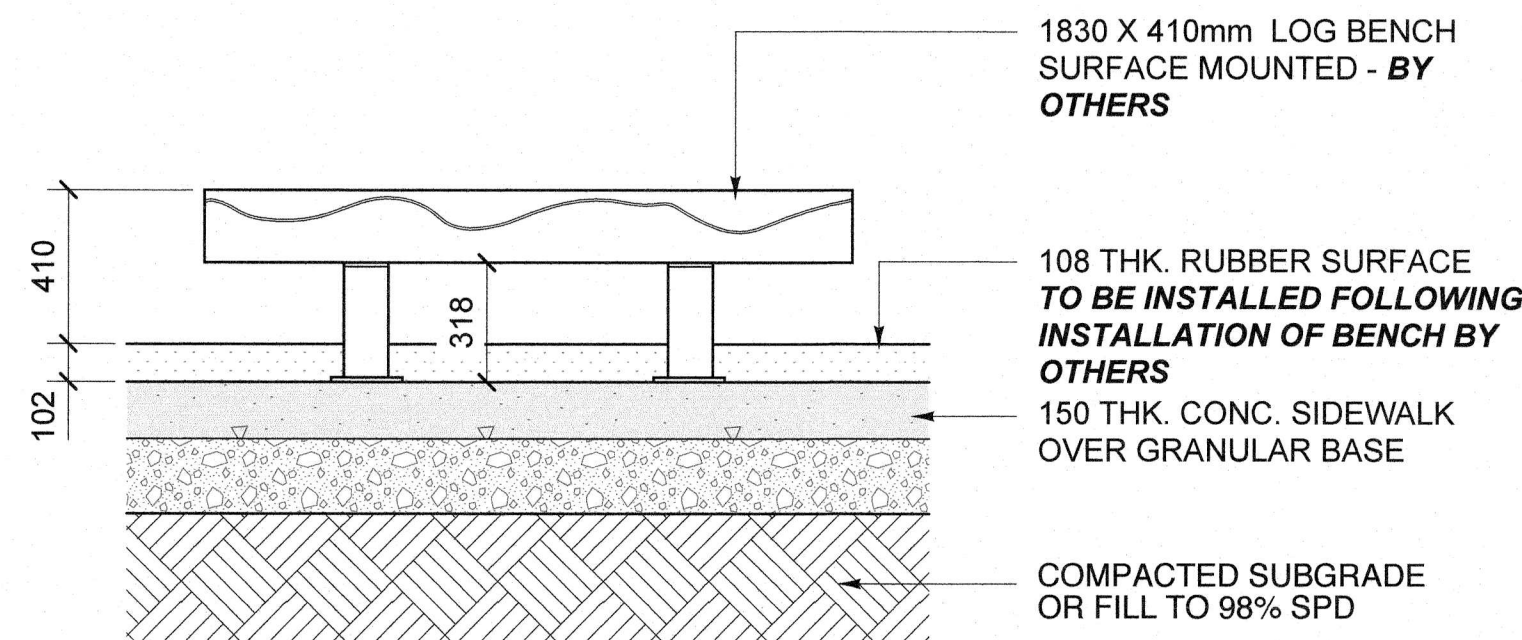
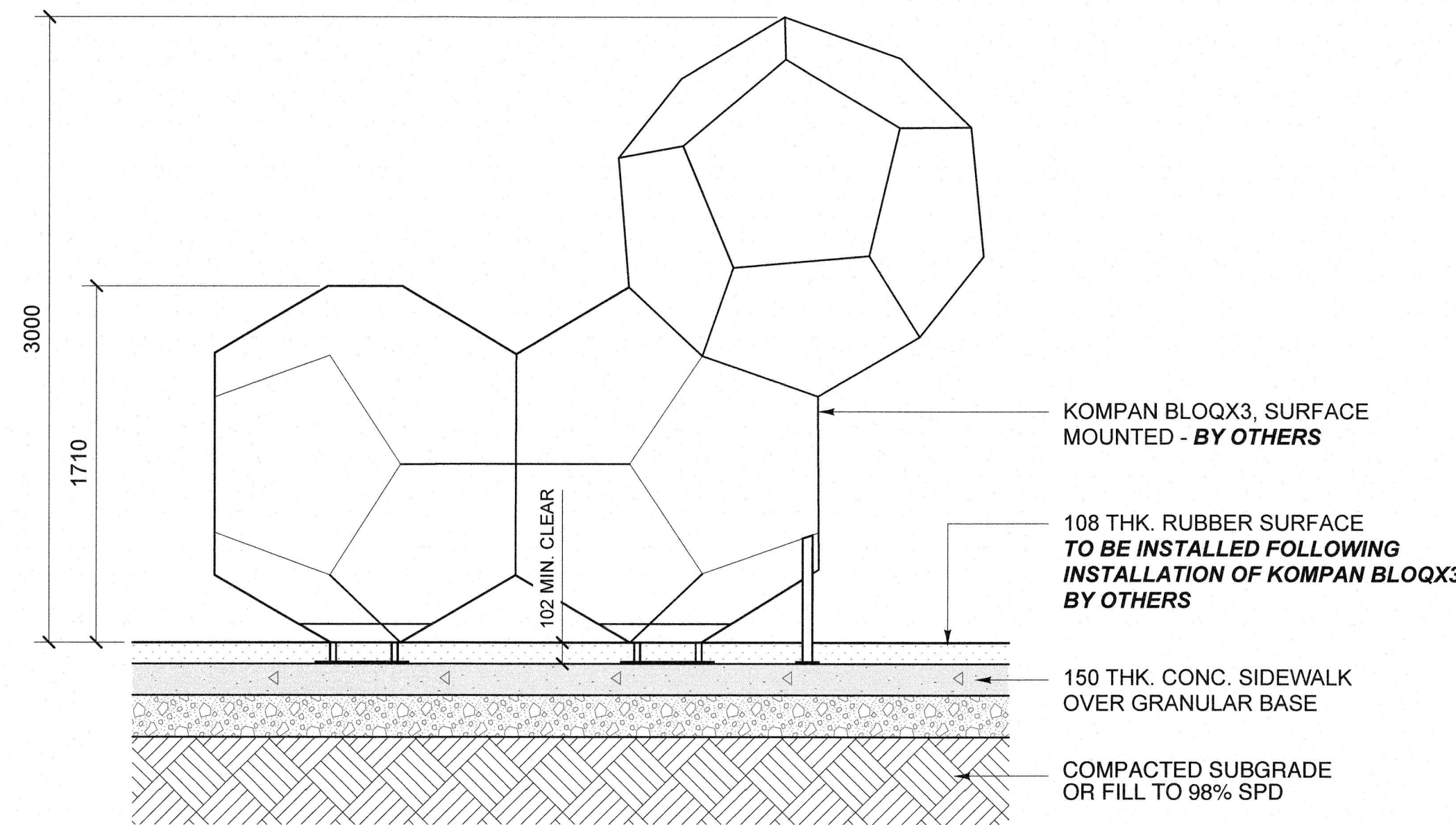


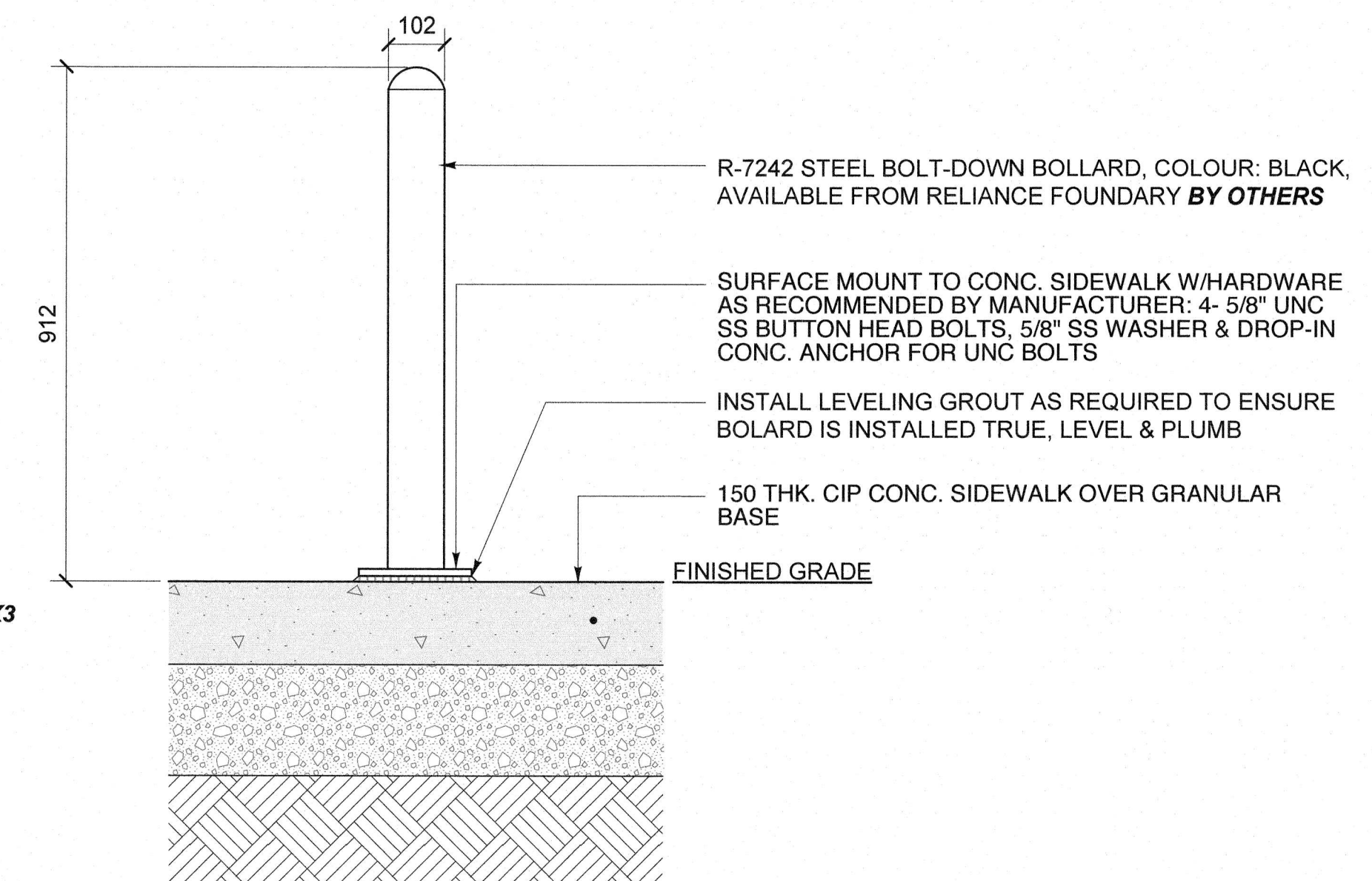
NOTE: THE FOLLOWING DETAILS ARE SHOWN FOR COORDINATION PURPOSES ONLY AND ARE TO BE INSTALLED BY OTHERS.



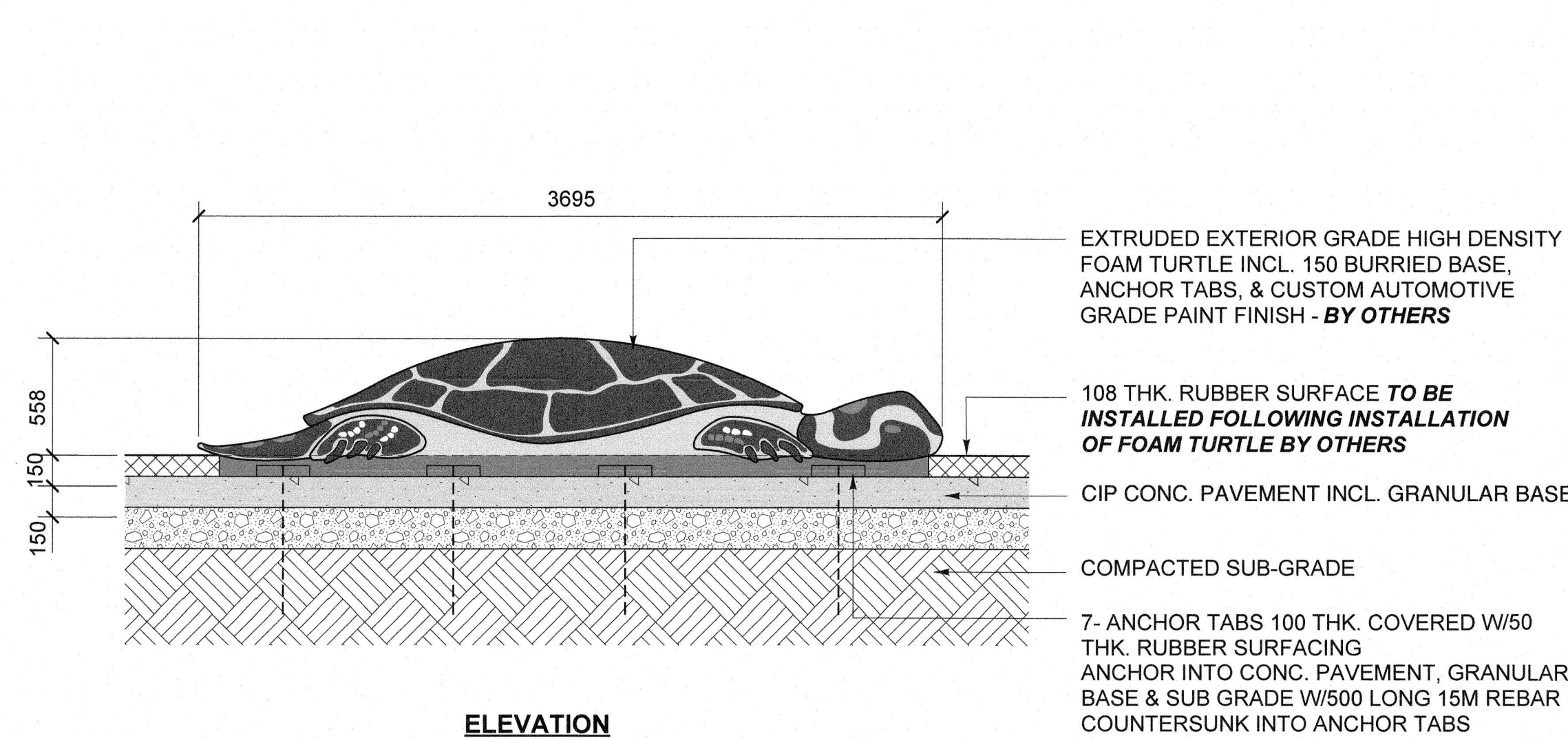
1 LOG BENCH - SURFACE MOUNTED - BY OTHERS
L5.2 SCALE: 1:20



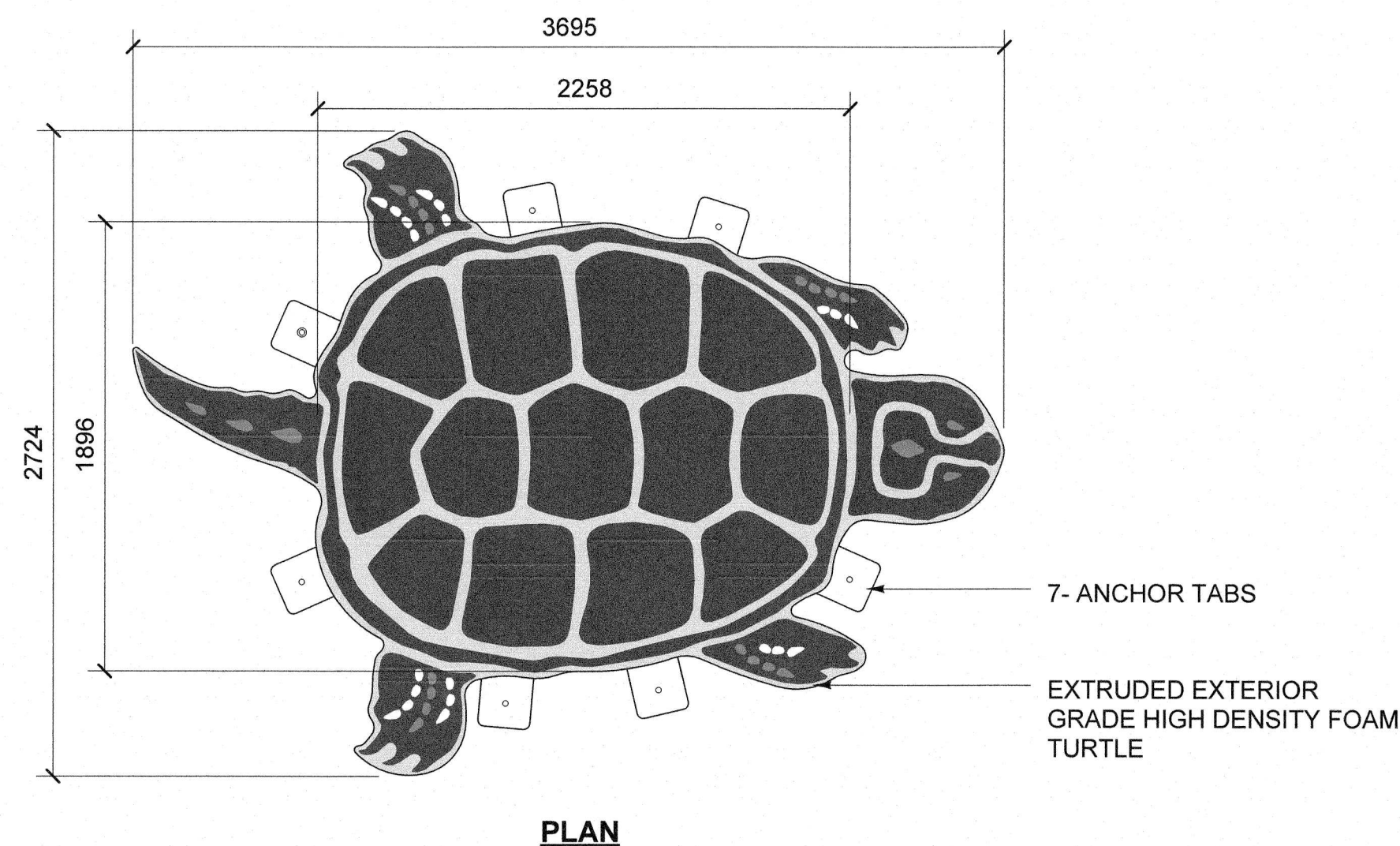
2 KOMPAN BLOQX3 - SURFACE MOUNTED - BY OTHERS
L5.2 SCALE: 1:25



3 STEEL BOLLARD - SURFACE MOUNTED - BY OTHERS
L5.2 SCALE: 1:10



ELEVATION



PLAN

4 EXTRUDED FOAM TURTLE - SURFACE MOUNTED - BY OTHERS
L5.2 SCALE: 1:25

FOR COORDINATION PURPOSES ONLY

METRIC
WHOLE NUMBERS INDICATE MILLIMETRES
DECIMALIZED NUMBERS INDICATE METRES

<p>LOCATION APPROVED UNDERGROUND STRUCTURES</p> <p>APPROVED RECORD 2016/02/17</p> <p>SUPV. U/G STRUCTURES COMMITTEE DATE</p> <p>NOTE: LOCATION OF UNDERGROUND STRUCTURES AS SHOWN ARE BASED ON THE BEST INFORMATION AVAILABLE. BUT NO GUARANTEE IS GIVEN THAT ALL EXISTING UTILITIES ARE SHOWN OR THAT THE GIVEN LOCATIONS ARE EXACT. CONFIRMATION OF EXISTENCE AND EXACT LOCATION OF ALL SERVICES MUST BE OBTAINED FROM THE INDIVIDUAL UTILITIES BEFORE PROCEEDING WITH CONSTRUCTION.</p>									<p>B.M. ELEV.</p>			<p>DESIGNED BY HC</p> <p>CHECKED BY HC</p> <p>DRAWN BY JH</p> <p>APPROVED BY</p> <p>HOR. SCALE: as shown</p> <p>VERTICAL: as shown</p> <p>RELEASED FOR CONSTRUCTION BY:</p>			<p>ENGINEER'S SEAL</p> <p>the Manitoba Association of Professional Engineers</p> <p>Member No. 101</p> <p>Feb 22/16</p> <p>CONSULTANT DRAWING NO. L5.2</p>			<p>THE CITY OF WINNIPEG</p> <p>PUBLIC WORKS DEPARTMENT</p> <p>ENGINEERING DIVISION</p>			<p>SELKIRK AVENUE PAVEMENT RECONSTRUCTION</p> <p>ARLINGTON STREET TO SALTER STREET</p> <p>POWERS PLAZA UPGRADE</p> <p>DETAILS BY OTHERS</p>			<p>CITY DRAWING NUMBER P-3471-20</p> <p>SHEET 20 OF 20</p> <p>BID NO. 24-2016</p>		
EXISTING	LEGEND - PLAN	PROPOSED	EXISTING	LEGEND - PLAN	PROPOSED	EXISTING	LEGEND - PROFILE	PROPOSED	0	Issued for Tender	02/26/16	JH	DATE	FEB. 26/2016	DATE	FEB. 26/2016										
									NO.	REVISIONS	DATE	BY	DATE	FEB. 26/2016	DATE	FEB. 26/2016										