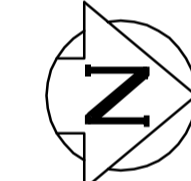
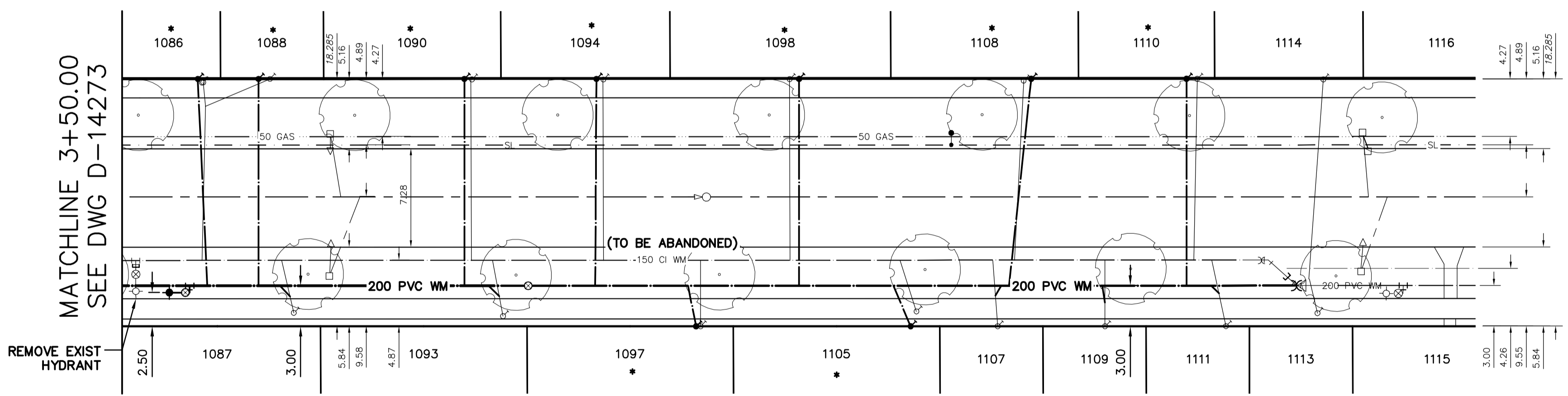


NOTE: CHAINAGES SHOWN ARE ALONG E. R. OF ASHBURN ST



ASHBURN STREET



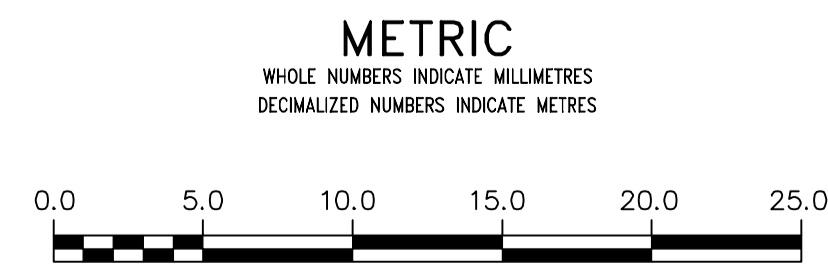
WATER SERVICE INFORMATION

ADDRESS	SIZE (mm) MATERIAL (STREET)	SIZE (mm) MATERIAL (PROP.)	SHORT & LONG MEASUREMENT	CORP. LOCATION	REMARKS
1007 ASHBURN ST RESIDENTIAL	20 LEAD	20 LEAD	6.97 NSL HSE	OPP OF S/C	RENEW TO R W/20 CU
1008 ASHBURN ST RESIDENTIAL	20 LEAD	20 LEAD	6.934 NNL ELLICE AVE	0.6 N OF S/C	RENEW TO R W/20 CU
1012 ASHBURN ST RESIDENTIAL	20 LEAD	20 LEAD	3.04 NSL HSE	0.4 S OF S/C	RECONNECT SERVICE
1013 ASHBURN ST RESIDENTIAL	20 LEAD	20 LEAD	6.296 NNL ELLICE AVE	0.5 N OF S/C	RENEW TO R W/20 CU
1014 ASHBURN ST COMMERCIAL	20 LEAD	20 LEAD	6.66 NSL HSE	0.6 S OF S/C	RENEW TO R W/20 CU
1015 ASHBURN ST RESIDENTIAL	20 LEAD	20 LEAD	18.249 NNL ELLICE AVE	0.5 N OF S/C	RENEW TO R W/20 CU
1018 ASHBURN ST RESIDENTIAL	20 LEAD	20 LEAD	2.36 NSL HSE	0.6 S OF S/C	RENEW TO R W/20 CU
1020 ASHBURN ST RESIDENTIAL	20 LEAD	20 LEAD	24.934 NNL ELLICE AVE	0.5 S OF VALVE	RENEW TO R W/20 CU
1021 ASHBURN ST RESIDENTIAL	20 LEAD	20 LEAD	24.993 NNL ELLICE AVE	0.3 N OF S/C	RENEW TO R W/20 CU
1022 ASHBURN ST RESIDENTIAL	20 LEAD	20 LEAD	6.58 NSL HSE	0.3 S OF S/C	RENEW TO R W/20 CU
1023 ASHBURN ST COMMERCIAL	12 LEAD	12 LEAD	37.539 NNL ELLICE AVE	1.0 S OF S/C	RENEW TO R W/20 CU
1025 ASHBURN ST RESIDENTIAL	12 LEAD	12 LEAD	OPP OF NL HSE	0.3 S OF S/C	RENEW TO R W/20 CU
1026 ASHBURN ST RESIDENTIAL	20 LEAD	20 LEAD	39.983 NNL ELLICE AVE	0.3 N OF S/C	RENEW TO R W/20 CU
1029 ASHBURN ST RESIDENTIAL	20 LEAD	20 LEAD	48.668 NNL ELLICE AVE	0.3 S OF S/C	RENEW TO R W/20 CU
1030 ASHBURN ST RESIDENTIAL	20 LEAD	20 LEAD	4.09 NSL HSE	0.3 S OF S/C	RENEW TO R W/20 CU
1031 ASHBURN ST RESIDENTIAL	20 LEAD	20 LEAD	2.47 NSL HSE	0.3 S OF S/C	RENEW TO R W/20 CU
1033 ASHBURN ST RESIDENTIAL	20 LEAD	20 LEAD	56.563 NNL ELLICE AVE	0.3 S OF S/C	RENEW TO R W/20 CU
1034 ASHBURN ST RESIDENTIAL	20 LEAD	20 LEAD	2.04 NSL HSE	2.5 N OF S/C	RENEW TO R W/20 CU
1035 ASHBURN ST RESIDENTIAL	20 LEAD	20 LEAD	82.459 NNL ELLICE AVE	0.3 N OF S/C	RECONNECT SERVICE
1039 ASHBURN ST RESIDENTIAL	20 LEAD	20 LEAD	1.77 NSL HSE	0.3 N OF S/C	RENEW TO R W/20 CU
1040 ASHBURN ST RESIDENTIAL	20 LEAD	20 LEAD	70.179 NNL ELLICE AVE	0.3 N OF S/C	RENEW TO R W/20 CU
1043 ASHBURN ST RESIDENTIAL	12 LEAD	12 LEAD	2.72 NSL HSE	0.3 N OF S/C	RENEW TO R W/20 CU
1044 ASHBURN ST RESIDENTIAL	20 LEAD	20 LEAD	136.083 NNL ELLICE AVE	0.3 N OF S/C	RENEW TO R W/20 CU
1047 ASHBURN ST RESIDENTIAL	20 LEAD	20 LEAD	2.57 NSL HSE	0.3 S OF S/C	RENEW TO R W/20 CU
1048 ASHBURN ST RESIDENTIAL	20 LEAD	20 LEAD	102.108 NNL ELLICE AVE	0.3 S OF S/C	RENEW TO R W/20 CU
1051 ASHBURN ST RESIDENTIAL	20 LEAD	20 LEAD	4.89 NSL HSE	1.2 S OF S/C	RENEW TO R W/20 CU
1052 ASHBURN ST RESIDENTIAL	20 LEAD	20 LEAD	149.096 NNL ELLICE AVE	0.3 N OF S/C	RENEW TO R W/20 CU
1054 ASHBURN ST COMMERCIAL	16 LEAD	16 LEAD	6.90 NSL HSE	0.5 S OF S/C	RENEW TO R W/20 CU
1055 ASHBURN ST RESIDENTIAL	20 LEAD	20 LEAD	118.419 NNL ELLICE AVE	0.5 S OF S/C	RENEW TO R W/20 CU
1056 ASHBURN ST RESIDENTIAL	16 LEAD	16 LEAD	4.80 NSL HSE	0.5 S OF S/C	RENEW TO R W/20 CU
1058 ASHBURN ST RESIDENTIAL	20 LEAD	20 LEAD	159.706 NNL ELLICE AVE	0.3 N OF S/C	RECONNECT SERVICE
1061 ASHBURN ST RESIDENTIAL	20 LEAD	20 LEAD	8.85 NSL HSE	0.3 N OF S/C	RECONNECT SERVICE
1062 ASHBURN ST RESIDENTIAL	20 LEAD	20 LEAD	131.900 NNL ELLICE AVE	0.3 N OF S/C	RECONNECT SERVICE
1065 ASHBURN ST COMMERCIAL	25 COPPER	25 COPPER	179.051 NNL ELLICE AVE	0.3 N OF S/C	RECONNECT SERVICE
1066 ASHBURN ST RESIDENTIAL	12 LEAD	12 LEAD	4.40 NSL HSE	0.5 S OF S/C	RECONNECT SERVICE
1067 ASHBURN ST RESIDENTIAL	20 LEAD	20 LEAD	141.180 NNL ELLICE AVE	0.5 S OF S/C	RECONNECT SERVICE
1068 ASHBURN ST RESIDENTIAL	20 LEAD	20 LEAD	3.71 NSL HSE	0.2 N OF S/C	RECONNECT SERVICE
1070 ASHBURN ST RESIDENTIAL	20 LEAD	20 LEAD	148.035 NNL ELLICE AVE	0.2 N OF S/C	RECONNECT SERVICE
1072 ASHBURN ST RESIDENTIAL	20 LEAD	20 LEAD	4.02 NSL HSE	1.2 N OF S/C	RECONNECT SERVICE
1073 ASHBURN ST RESIDENTIAL	20 LEAD	20 LEAD	190.900 NNL ELLICE AVE	0.5 S OF S/C	RECONNECT SERVICE
1077 ASHBURN ST RESIDENTIAL	20 LEAD	20 LEAD	3.28 SSL HSE	0.8 S OF S/C	RECONNECT SERVICE
1078 ASHBURN ST RESIDENTIAL	20 LEAD	20 LEAD	148.579 NNL ELLICE AVE	0.5 N OF S/C	RECONNECT SERVICE
1079 ASHBURN ST COMMERCIAL	20 LEAD	20 LEAD	165.807 NNL ELLICE AVE	0.5 N OF S/C	RECONNECT SERVICE
1080 ASHBURN ST RESIDENTIAL	20 LEAD	20 LEAD	1.07 NSL HSE	0.4 S OF S/C	RECONNECT SERVICE
1084 ASHBURN ST RESIDENTIAL	20 LEAD	20 LEAD	209.070 NNL ELLICE AVE	0.4 S OF S/C	RECONNECT SERVICE
1086 ASHBURN ST RESIDENTIAL	20 LEAD	20 LEAD	1.80 NSL HSE	0.4 S OF S/C	RECONNECT SERVICE
1087 ASHBURN ST RESIDENTIAL	20 LEAD	20 LEAD	177.702 NNL ELLICE AVE	0.4 S OF S/C	RECONNECT SERVICE
1088 ASHBURN ST RESIDENTIAL	20 LEAD	20 LEAD	5.02 NSL HSE	0.4 S OF S/C	RECONNECT SERVICE
1089 ASHBURN ST RESIDENTIAL	20 LEAD	20 LEAD	218.810 NNL ELLICE AVE	0.4 S OF S/C	RECONNECT SERVICE
1090 ASHBURN ST RESIDENTIAL	20 LEAD	20 LEAD	3.91 NSL HSE	0.5 S OF S/C	RECONNECT SERVICE
1093 ASHBURN ST RESIDENTIAL	20 LEAD	20 LEAD	186.515 NNL ELLICE AVE	0.5 S OF S/C	RECONNECT SERVICE
1094 ASHBURN ST RESIDENTIAL	20 LEAD	20 LEAD	186.515 NNL ELLICE AVE	0.5 S OF S/C	RECONNECT SERVICE
1097 ASHBURN ST RESIDENTIAL	20 LEAD	20 LEAD	6.01 NSL HSE	1.1 N OF S/C	RECONNECT SERVICE
1098 ASHBURN ST RESIDENTIAL	20 LEAD	20 LEAD	200.075 NNL ELLICE AVE	0.3 N OF S/C	RECONNECT SERVICE
1099 ASHBURN ST RESIDENTIAL	20 LEAD	20 LEAD	1.98 NSL HSE	0.3 N OF S/C	RECONNECT SERVICE
1105 ASHBURN ST RESIDENTIAL	20 LEAD	20 LEAD	207.420 NNL ELLICE AVE	0.3 N OF S/C	RECONNECT SERVICE
1107 ASHBURN ST RESIDENTIAL	20 LEAD	20 LEAD	6.36 NSL HSE	0.3 N OF S/C	RECONNECT SERVICE
1108 ASHBURN ST RESIDENTIAL	20 LEAD	20 LEAD	146.503 SSL SARGENT AVE	0.3 N OF S/C	RECONNECT SERVICE
1109 ASHBURN ST RESIDENTIAL	20 LEAD	20 LEAD	4.73 NSL HSE	0.3 N OF S/C	RECONNECT SERVICE
1110 ASHBURN ST RESIDENTIAL	20 LEAD	20 LEAD	157.177 SSL SARGENT AVE	0.3 N OF S/C	RECONNECT SERVICE
1111 ASHBURN ST RESIDENTIAL	20 LEAD	20 LEAD	3.15 NSL HSE	0.3 N OF S/C	RECONNECT SERVICE
1113 ASHBURN ST RESIDENTIAL	20 LEAD	20 LEAD	132.320 NNL ELLICE AVE	0.3 N OF S/C	RECONNECT SERVICE
1114 ASHBURN ST COMMERCIAL	20 LEAD	20 LEAD	1.54 NSL HSE	0.3 N OF S/C	RECONNECT SERVICE
1115 ASHBURN ST RESIDENTIAL	20 LEAD	20 LEAD	146.513 SSL SARGENT AVE	0.3 N OF S/C	RECONNECT SERVICE
1116 ASHBURN ST RESIDENTIAL	20 LEAD	20 LEAD	4.15 NSL HSE	0.3 N OF S/C	RECONNECT SERVICE
1117 ASHBURN ST RESIDENTIAL	20 LEAD	20 LEAD	133.106 SSL SARGENT AVE	0.3 N OF S/C	RECONNECT SERVICE
1118 ASHBURN ST RESIDENTIAL	20 LEAD	20 LEAD	0.5 NSL HSE	0.8 S OF S/C	RECONNECT SERVICE
1119 ASHBURN ST RESIDENTIAL	20 LEAD	20 LEAD	122.941 SSL SARGENT AVE	0.8 S OF S/C	RECONNECT SERVICE
1120 ASHBURN ST RESIDENTIAL	20 LEAD	20 LEAD	5.21 NSL HSE	0.8 S OF S/C	RECONNECT SERVICE
1121 ASHBURN ST RESIDENTIAL	20 LEAD	20 LEAD	116.300 SSL SARGENT AVE	0.8 S OF S/C	RECONNECT SERVICE
1122 ASHBURN ST RESIDENTIAL	20 LEAD	20 LEAD	2.56 NSL HSE	4.9 S OF S/C	RECONNECT SERVICE
1123 ASHBURN ST RESIDENTIAL	20 LEAD	20 LEAD	117.935 SSL SARGENT AVE	0.8 S OF S/C	RECONNECT SERVICE
1124 ASHBURN ST RESIDENTIAL	20 LEAD	20 LEAD	0.50 NSL HSE	0.8 S OF S/C	RECONNECT SERVICE
1125 ASHBURN ST RESIDENTIAL	20 LEAD	20 LEAD	103.245 SSL SARGENT AVE	0.8 S OF S/C	RECONNECT SERVICE
1126 ASHBURN ST RESIDENTIAL	20 LEAD	20 LEAD	OPP OF S/C	0.8 S OF S/C	RECONNECT SERVICE
1127 ASHBURN ST RESIDENTIAL	20 LEAD	20 LEAD	100.714 SSL SARGENT AVE	0.8 S OF S/C	RECONNECT SERVICE
1128 ASHBURN ST RESIDENTIAL	20 LEAD	20 LEAD	5.17 NSL HSE	0.8 S OF S/C	RECONNECT SERVICE
1129 ASHBURN ST RESIDENTIAL	20 LEAD	20 LEAD	93.332 SSL SARGENT AVE	0.8 S OF S/C	RECONNECT SERVICE
1130 ASHBURN ST RESIDENTIAL	20 LEAD	20 LEAD	7.20 NSL HSE	0.8 S OF S/C	RECONNECT SERVICE
1131 ASHBURN ST RESIDENTIAL	20 LEAD	20 LEAD	86.206 SSL SARGENT AVE	0.8 S OF S/C	RECONNECT SERVICE
1132 ASHBURN ST RESIDENTIAL	20 LEAD	20 LEAD	6.42 NSL HSE	0.8 S OF S/C	RECONNECT SERVICE
1133 ASHBURN ST RESIDENTIAL	20 LEAD	20 LEAD	79.720 SSL SARGENT AVE	0.8 S OF S/C	RECONNECT SERVICE
1134 ASHBURN ST RESIDENTIAL	12 LEAD	12 LEAD	3.76 NSL HSE	1.4 N OF S/C	RECONNECT SERVICE
1135 ASHBURN ST RESIDENTIAL	20 LEAD	20 LEAD	70.314 SSL SARGENT AVE	1.4 N OF S/C	RECONNECT SERVICE
1136 ASHBURN ST RESIDENTIAL	20 LEAD	20 LEAD	2.95 NSL HSE	0.3 S OF S/C	RECONNECT SERVICE
1137 ASHBURN ST RESIDENTIAL	20 LEAD	20 LEAD	64.815 SSL SARGENT AVE	0.3 S OF S/C	RECONNECT SERVICE
1138 ASHBURN ST RESIDENTIAL	12 LEAD	12 LEAD	0.50 NSL HSE	0.7 S OF S/C	RECONNECT SERVICE
1139 ASHBURN ST RESIDENTIAL	20 LEAD	20 LEAD	62.444 SSL SARGENT AVE	0.7 S OF S/C	RECONNECT SERVICE
1140 ASHBURN ST RESIDENTIAL	20 LEAD	20 LEAD	3.57 NSL HSE	0.7 S OF S/C	RECONNECT SERVICE
1141 ASHBURN ST RESIDENTIAL	20 LEAD	20 LEAD	56.363 SSL SARGENT AVE	0.7 S OF S/C	RECONNECT SERVICE
1142 ASHBURN ST RESIDENTIAL	20 LEAD	20 LEAD	OPP OF NL HSE	0.3 S OF S/C	RECONNECT SERVICE
1143 ASHBURN ST RESIDENTIAL	20 LEAD	20 LEAD	49.567 SSL SARGENT AVE	0.3 S OF S/C	RECONNECT SERVICE
1144 ASHBURN ST RESIDENTIAL	20 LEAD	20 LEAD	1.68 NSL HSE	1.1 S OF S/C	RECONNECT SERVICE
1145 ASHBURN ST RESIDENTIAL	20 LEAD	20 LEAD	47.625 SSL SARGENT AVE	1.1 S OF S/C	RECONNECT SERVICE
1146 ASHBURN ST RESIDENTIAL	20 LEAD	20 LEAD	3.19 NSL HSE	0.6 S OF S/C	OUTSIDE LIMITS
1147 ASHBURN ST RESIDENTIAL	20 LEAD	20 LEAD	40.670 SSL SARGENT AVE	0.6 S OF S/C	OUTSIDE LIMITS
1148 ASHBURN ST RESIDENTIAL	20 LEAD	20 LEAD	1.76 NSL HSE	1.2 S OF S/C	OUTSIDE LIMITS
1149 ASHBURN ST RESIDENTIAL	20 LEAD	20 LEAD	40.261 SSL SARGENT AVE	1.2 S OF S/C	OUTSIDE LIMITS

* SERVICES TO BE RENEWED TO R. ALL OTHERS TO BE RECONNECTED

FOR INDEX SEE D-14271

NOTE: ALL VALVES TO BE INSTALLED COUNTERCLOCKWISE TO CLOSE



WARNING
IF POWER EQUIPMENT OR EXPLOSIVES ARE TO BE USED FOR EXCAVATION ON THIS PROJECT THE CONTRACTOR MUST:
1) NOTIFY THE GAS COMPANY OF THE PROPOSED LOCATION OF EXCAVATION.
2) TAKE PRECAUTION TO AVOID DAMAGE TO GAS COMPANY INSTALLATIONS.
SEE PROVINCIAL REGULATION 210/72 FOR DETAILS

LOCATION APPROVED UNDERGROUND STRUCTURES
SUPV. U/G STRUCTURES COMMITTEE DATE
NOTE: LOCATION OF UNDERGROUND STRUCTURES AS SHOWN ARE BASED ON THE BEST INFORMATION AVAILABLE BUT NO GUARANTEE IS GIVEN THAT ALL EXISTING UTILITIES ARE SHOWN OR THAT THE GIVEN LOCATIONS ARE EXACT. CONFIRMATION OF EXISTENCE AND EXACT LOCATION OF ALL SERVICES MUST BE OBTAINED FROM THE INDIVIDUAL UTILITIES BEFORE PROCEEDING WITH CONSTRUCTION.

B.M. ELEV.	NO.	REVISIONS	DATE	BY

DESIGNED BY: TS
CHECKED BY: SC
DRAWN BY: RS
APPROVED BY: KZ
SCALE: HORIZONTAL 1:250, VERTICAL 1:50
RELEASED FOR CONSTRUCTION: KAZ ZUREK
DATE: 2016 04 13
PLOT DATE: 2016 04 13

ENGINEER'S SEAL
ORIGINAL SIGNED BY S.J.R. COUNROYER 16/04/12
CONSULTANT DRAWING NUMBER: -

THE CITY OF WINNIPEG
WATER AND WASTE DEPARTMENT
ENGINEERING DIVISION
2016 WATER MAIN RENEWALS
CONTRACT 10
ASHBURN STREET
250 N OF ELLICE AVENUE TO
350 N OF ELLICE AVENUE

SHEET 4 OF 10
CITY DRAWING NUMBER: D-14274