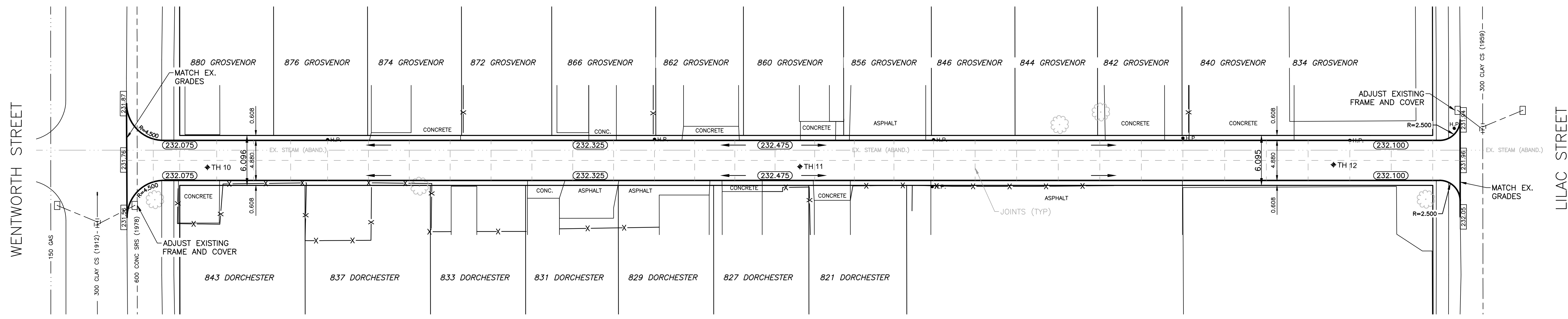
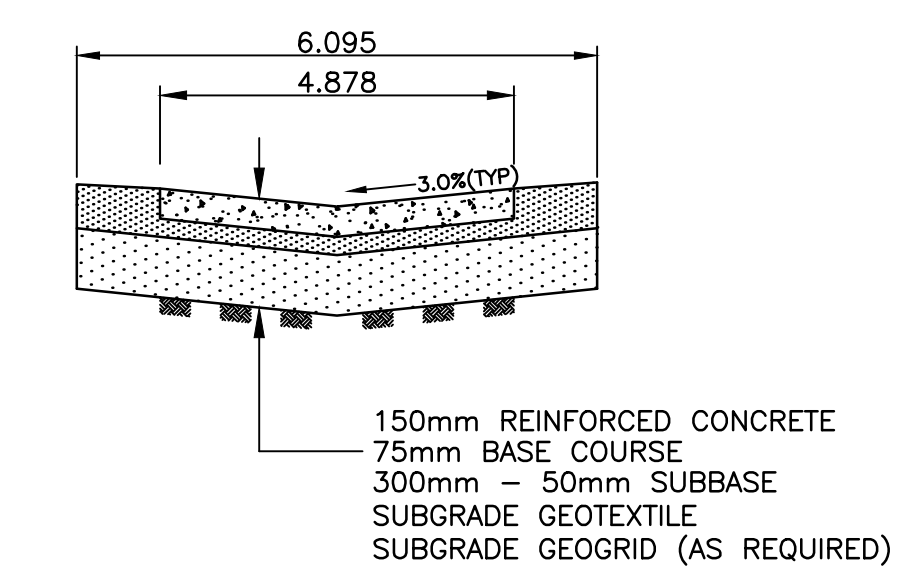


- NOTES:**
- ISOLATE EXISTING HYDRO POLES AS DIRECTED BY CONTRACT ADMINISTRATOR
 - RENEW EXISTING APPROACHES AS DIRECTED BY CONTRACT ADMINISTRATOR
 - ADDITIONAL EXCAVATION AND INSTALLATION OF SUBGRADE GEOGRID TO BE DETERMINED BY CONTRACT ADMINISTRATOR
 - ADJUSTMENTS TO PROPOSED CROSSFALL, WHERE REQUIRED, ARE TO BE DETERMINED BY CONTRACT ADMINISTRATOR TO SUIT EXISTING DRIVEWAYS, APPROACHES, ETC.
 - MODIFIED BARRIER CURB TO BE USED FOR CURB RENEWAL AT RADII AS DIRECTED BY CONTRACT ADMINISTRATOR
 - EX. MANHOLES, CATCHBASINS, GATE VALVES AND OTHER APPURTENANCES TO BE ADJUSTED AS DIRECTED BY CONTRACT ADMINISTRATOR

CHAINAGE ALONG C OF PUBLIC RIGHT-OF-WAY
GROSVENOR AVENUE / DORCHESTER AVENUE



"Description of property limits, and existing and/or proposed features relative to these limits as shown on this drawing do not represent a Legal Survey. WSP makes no representation or guarantee that the property limit information is accurate. WSP accepts no responsibility for damages, if any, suffered by any third party as a result of decisions made or actions based on this drawing."

	WATERMAIN		M.T.S.		WATERMAIN
	HYDRANT		TRAFFIC SIGNAL		VALVE
	VALVE		CONCRETE/ASPHALT		LAND DRAINAGE SEWER
	CURB STOP		SIDEWALK		WASTE WATER SEWER
	WASTE WATER SEWER		CURB RAMP		CENTERLINE
	LAND DRAINAGE SEWER		PROPERTY LINE		SOUTH & EAST GUTTER
	C.B. LEAD		ELEVATIONS		NORTH & WEST GUTTER
	MANHOLE		TEST HOLE LOCATION		S. & E. PAD/GARG.
	CATCH BASIN				N. & W. PAD/GARG.
	GAS				
	HYDRO				
	EXISTING		LEGEND - PLAN		EXISTING
	LEGEND - PROFILE		PROPOSED		LEGEND - PROFILE

LOCATION APPROVED UNDERGROUND STRUCTURES

SUPV. U/G STRUCTURES	DATE		
COMMITTEE			
NOTE:			
LOCATION OF UNDERGROUND STRUCTURES AS SHOWN ARE BASED ON THE BEST INFORMATION AVAILABLE BUT NO GUARANTEE IS GIVEN THAT ALL EXISTING UTILITIES ARE SHOWN OR THAT THE GIVEN LOCATIONS ARE EXACT. CONFIRMATION OF EXISTENCE AND EXACT LOCATION OF ALL SERVICES MUST BE OBTAINED FROM THE INDIVIDUAL UTILITIES BEFORE PROCEEDING WITH CONSTRUCTION.			

WSP
 1600 BUFFALO PLACE
 WINNIPEG, MB, R3T 6B8
 PHONE: 204-477-6650
 FAX: 204-474-2864
 WWW.WSPGROUP.COM

DESIGNED BY	A.B.	CHECKED BY	S.M.
DRAWN BY	A.B.	APPROVED BY	I.McK.
ISSUED FOR TENDER	04/06/16	RELEASED FOR CONSTRUCTION	
CON REVIEW AND APPROVAL	03/03/16	DATE	
NO. REVISIONS	DATE	BY	DATE

DATE: JANUARY 2016

ENGINEERS SEAL

CONSULTANT DRAWING NO.	151-13889-00-01
------------------------	-----------------

THE CITY OF WINNIPEG
 PUBLIC WORKS DEPARTMENT

2016 ALLEY RECONSTRUCTION - CONTRACT 1
 GROSVENOR AVENUE/DORCHESTER AVENUE ALLEY
 FROM WENTWORTH STREET TO LILAC STREET
 CONCRETE PAVEMENT

CITY DRAWING NO. SHEET 1 OF 1
 316-2016

