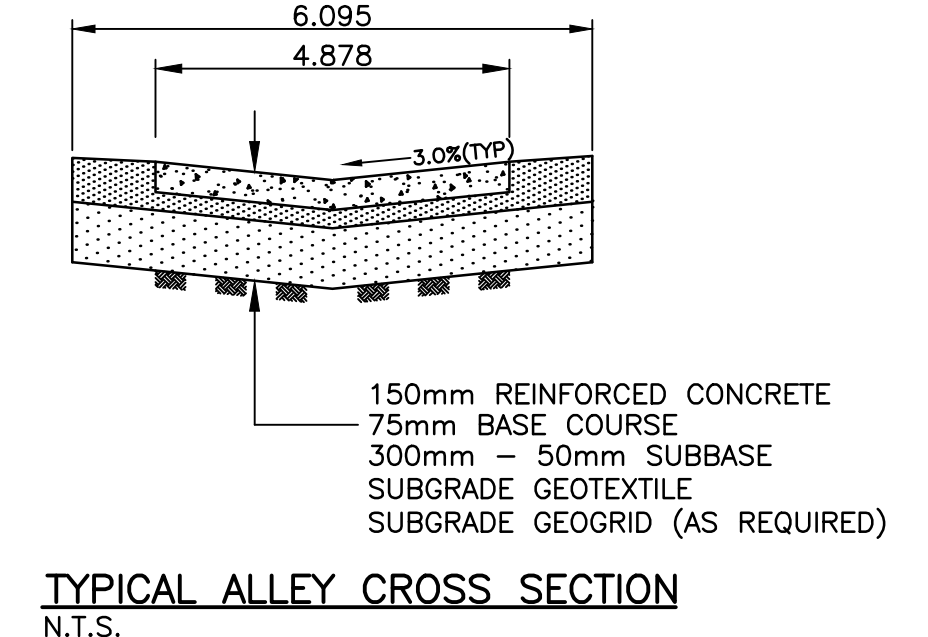
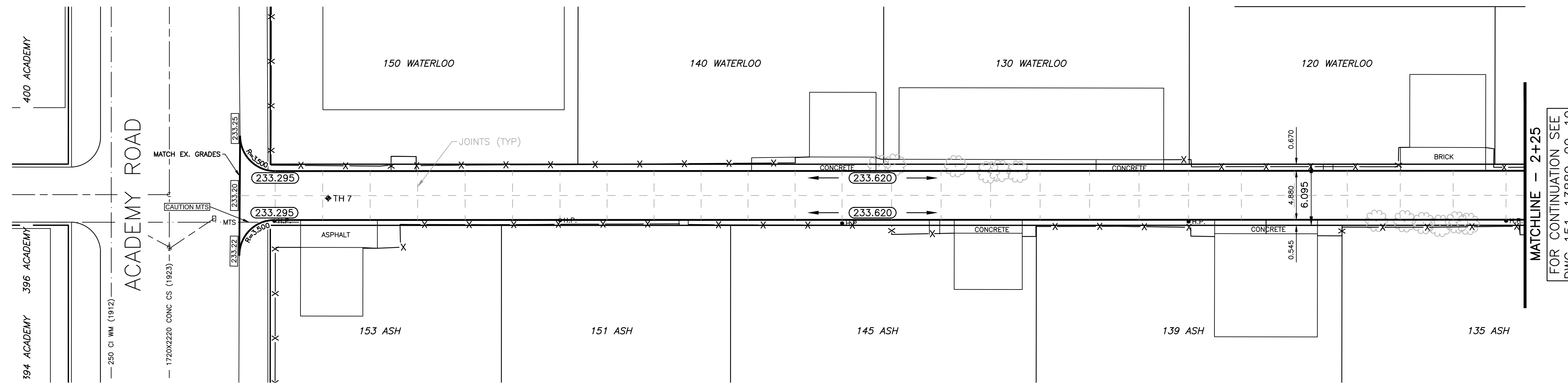
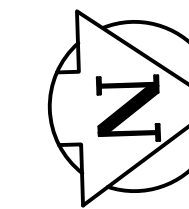


NOTES:

- ISOLATE EXISTING HYDRO POLES AS DIRECTED BY CONTRACT ADMINISTRATOR
- RENEW EXISTING APPROACHES AS DIRECTED BY CONTRACT ADMINISTRATOR
- ADDITIONAL EXCAVATION AND INSTALLATION OF SUBGRADE GEOGRID TO BE DETERMINED BY CONTRACT ADMINISTRATOR
- ADJUSTMENTS TO PROPOSED CROSSFALL, WHERE REQUIRED, ARE TO BE DETERMINED BY CONTRACT ADMINISTRATOR TO SUIT EXISTING DRIVEWAYS, APPROACHES, ETC.
- MODIFIED BARRIER CURB TO BE USED FOR CURB RENEWAL AT RADII AS DIRECTED BY CONTRACT ADMINISTRATOR
- EX. MANHOLES, CATCHBASINS, GATE VALVES AND OTHER APPURTENANCES TO BE ADJUSTED AS DIRECTED BY CONTRACT ADMINISTRATOR

CHAINAGE ALONG C OF PUBLIC RIGHT-OF-WAY
WATERLOO STREET / ASH STREET



						<p>LOCATION APPROVED UNDERGROUND STRUCTURES</p> <p>SUPV. U/G STRUCTURES COMMITTEE DATE</p> <p>NOTE: LOCATION OF UNDERGROUND STRUCTURES AS SHOWN ARE BASED ON THE BEST INFORMATION AVAILABLE BUT NO GUARANTEE IS GIVEN THAT ALL EXISTING UTILITIES ARE SHOWN OR THAT THE GIVEN LOCATIONS ARE EXACT. CONFIRMATION OF EXISTENCE AND EXACT LOCATION OF ALL SERVICES MUST BE OBTAINED FROM THE INDIVIDUAL UTILITIES BEFORE PROCEEDING WITH CONSTRUCTION.</p>	<p>B.M. ELEV.</p> <table border="1"> <tr><td>---</td><td>---</td><td>---</td></tr> <tr><td>---</td><td>---</td><td>---</td></tr> <tr><td>---</td><td>---</td><td>---</td></tr> <tr><td>---</td><td>---</td><td>---</td></tr> <tr><td>---</td><td>---</td><td>---</td></tr> <tr><td>---</td><td>---</td><td>---</td></tr> <tr><td>---</td><td>---</td><td>---</td></tr> <tr><td>---</td><td>---</td><td>---</td></tr> <tr><td>---</td><td>---</td><td>---</td></tr> <tr><td>---</td><td>---</td><td>---</td></tr> <tr><td>---</td><td>---</td><td>---</td></tr> </table>	---	---	---	---	---	---	---	---	---	---	---	---	---	---	---	---	---	---	---	---	---	---	---	---	---	---	---	---	---	---	---	---	---	<p>1600 BUFFALO PLACE WINNIPEG, MB, R3T 6B8 PHONE: 204-477-6650 FAX: 204-474-2864 WWW.WSPGROUP.COM</p>	<p>ENGINEERS SEAL</p> <table border="1"> <tr><td>DESIGNED BY</td><td>A.B.</td><td>CHECKED BY</td><td>S.M.</td></tr> <tr><td>DRAWN BY</td><td>A.B.</td><td>APPROVED BY</td><td>I.McK.</td></tr> <tr><td>HOR. SCALE:</td><td>1:250</td><td>RELEASED FOR CONSTRUCTION</td><td>---</td></tr> <tr><td>VERT. SCALE:</td><td>1:25</td><td>---</td><td>---</td></tr> </table>	DESIGNED BY	A.B.	CHECKED BY	S.M.	DRAWN BY	A.B.	APPROVED BY	I.McK.	HOR. SCALE:	1:250	RELEASED FOR CONSTRUCTION	---	VERT. SCALE:	1:25	---	---	<p>THE CITY OF WINNIPEG PUBLIC WORKS DEPARTMENT</p> <p>2016 ALLEY RECONSTRUCTION - CONTRACT 1 WATERLOO STREET/ASH STREET ALLEY</p> <p>FROM ACADEMY ROAD TO STA. 2+65</p> <p>CONCRETE PAVEMENT</p>	<p>CITY DRAWING NO.</p> <p>SHEET 1 OF 4</p> <p>316-2016</p>
---	---	---																																																										
---	---	---																																																										
---	---	---																																																										
---	---	---																																																										
---	---	---																																																										
---	---	---																																																										
---	---	---																																																										
---	---	---																																																										
---	---	---																																																										
---	---	---																																																										
---	---	---																																																										
DESIGNED BY	A.B.	CHECKED BY	S.M.																																																									
DRAWN BY	A.B.	APPROVED BY	I.McK.																																																									
HOR. SCALE:	1:250	RELEASED FOR CONSTRUCTION	---																																																									
VERT. SCALE:	1:25	---	---																																																									