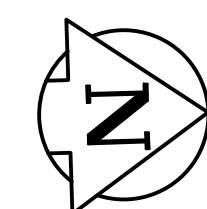
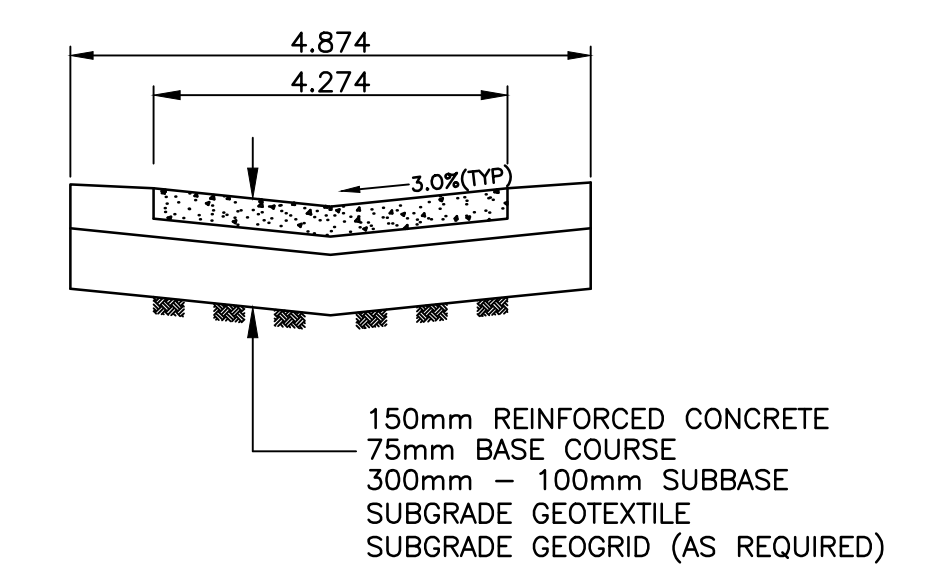


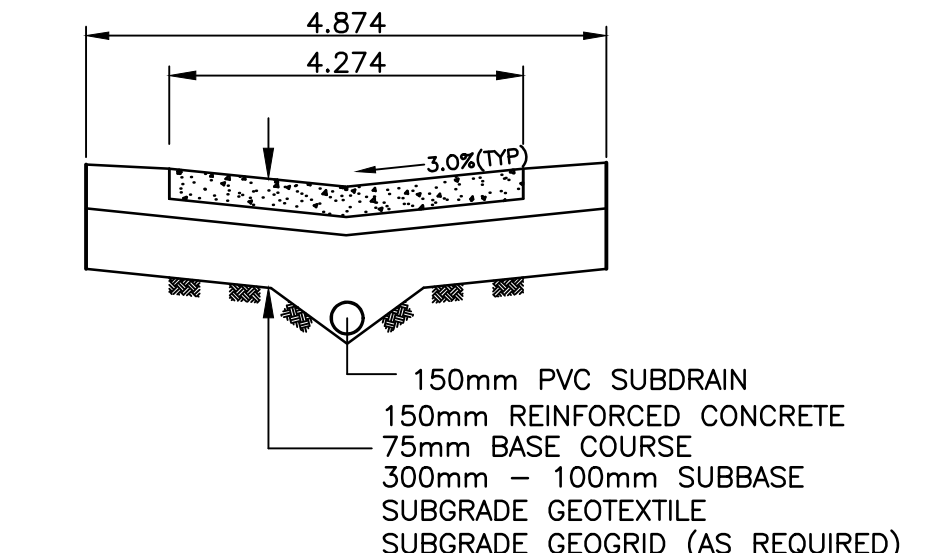
CHAINAGE ALONG C OF PUBLIC RIGHT-OF-WAY
WAVERLEY STREET / OXFORD STREET



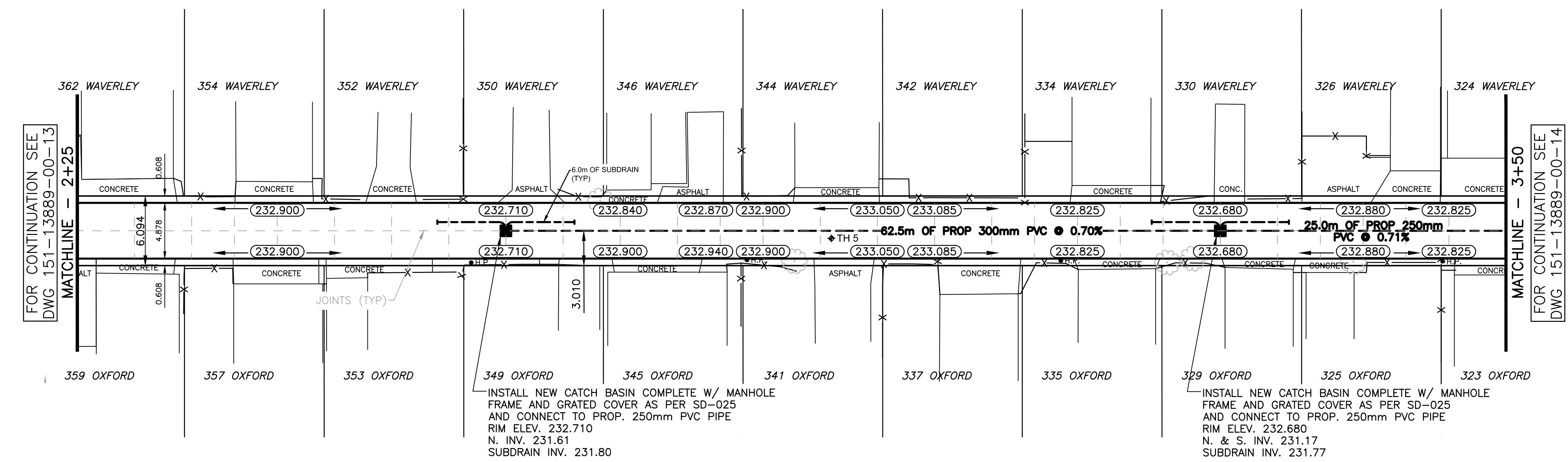
- NOTES:**
- ISOLATE EXISTING HYDRO POLES AS DIRECTED BY CONTRACT ADMINISTRATOR
 - RENEW EXISTING APPROACHES AS DIRECTED BY CONTRACT ADMINISTRATOR
 - ADDITIONAL EXCAVATION AND INSTALLATION OF SUBGRADE GEOGRID TO BE DETERMINED BY CONTRACT ADMINISTRATOR
 - ADJUSTMENTS TO PROPOSED CROSSFALL, WHERE REQUIRED, ARE TO BE DETERMINED BY CONTRACT ADMINISTRATOR TO SUIT EXISTING DRIVEWAYS, APPROACHES, ETC.
 - MODIFIED BARRIER CURB TO BE USED FOR CURB RENEWAL AT RADI AS DIRECTED BY CONTRACT ADMINISTRATOR
 - EX. MANHOLES, CATCHBASINS, GATE VALVES AND OTHER APPURTENANCES TO BE ADJUSTED AS DIRECTED BY CONTRACT ADMINISTRATOR



TYPICAL ALLEY CROSS SECTION
 N.T.S.



TYPICAL ALLEY CROSS SECTION WITH SUBDRAIN
 N.T.S.



"Description of property limits, and existing and/or proposed features relative to these limits as shown on this drawing do not represent a Legal Survey. WSP makes no representation or guarantee that the property limit information is accurate. WSP accepts no responsibility for damages, if any, suffered by any third party as a result of decisions made or actions based on this drawing."

---	WATERMAIN	---	M.T.S.	---	WATERMAIN
⊕	HYDRANT	⊕	TRAFFIC SIGNAL	⊕	VALVE
⊕	VALVE	⊕	CONCRETE/ASPHALT	⊕	LAND DRAINAGE SEWER
⊕	CURB STOP	⊕	SIDEWALK	⊕	WASTE WATER SEWER
---	WASTE WATER SEWER	---	CURB RAMP	---	CENTERLINE
---	LAND DRAINAGE SEWER	---	PROPERTY LINE	---	SOUTH & EAST GUTTER
---	C.B. LEAD	---	ELEVATIONS	---	NORTH & WEST GUTTER
○	MANHOLE	○	TEST HOLE LOCATION	○	S. & E. PAD/GARG.
□	CATCH BASIN	□		□	N. & W. PAD/GARG.
---	GAS	---		---	
---	HYDRO	---		---	
---	EXISTING	---	LEGEND - PLAN	---	EXISTING
---	LEGEND - PLAN	---	PROPOSED	---	LEGEND - PROFILE
---	PROPOSED	---	EXISTING	---	PROPOSED

LOCATION APPROVED UNDERGROUND STRUCTURES

SUPV. U/G STRUCTURES	DATE
COMMITTEE	
NOTE:	
LOCATION OF UNDERGROUND STRUCTURES AS SHOWN ARE BASED ON THE BEST INFORMATION AVAILABLE BUT NO GUARANTEE IS GIVEN THAT ALL EXISTING UTILITIES ARE SHOWN OR THAT THE GIVEN LOCATIONS ARE EXACT. CONFIRMATION OF EXISTENCE AND EXACT LOCATION OF ALL SERVICES MUST BE OBTAINED FROM THE INDIVIDUAL UTILITIES BEFORE PROCEEDING WITH CONSTRUCTION.	

WSP

1600 BUFFALO PLACE
 WINNIPEG, MB, R3T 6B8
 PHONE: 204-477-6650
 FAX: 204-474-2864
 WWW.WSPGROUP.COM

DESIGNED BY	A.B.	CHECKED BY	S.M.
DRAWN BY	A.B.	APPROVED BY	I.McK.
HOR. SCALE:	1:250	RELEASED FOR CONSTRUCTION	
VERT. SCALE:	1:25	DATE	
DATE	JANUARY 2016	DATE	

ENGINEERS SEAL

CONSULTANT DRAWING NO.
 151-13889-00-14

THE CITY OF WINNIPEG
 PUBLIC WORKS DEPARTMENT

2016 ALLEY RECONSTRUCTION - CONTRACT 1
 WAVERLEY STREET/OXFORD STREET ALLEY

FROM STA. 2+25 TO STA. 3+50
CONCRETE PAVEMENT

CITY DRAWING NO.
 SHEET 2 OF 3
 316-2016

