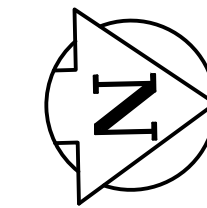


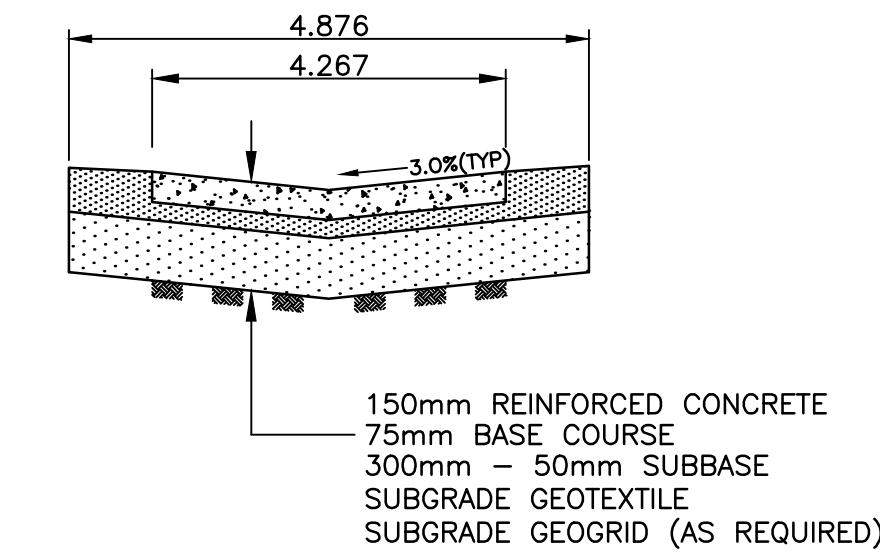
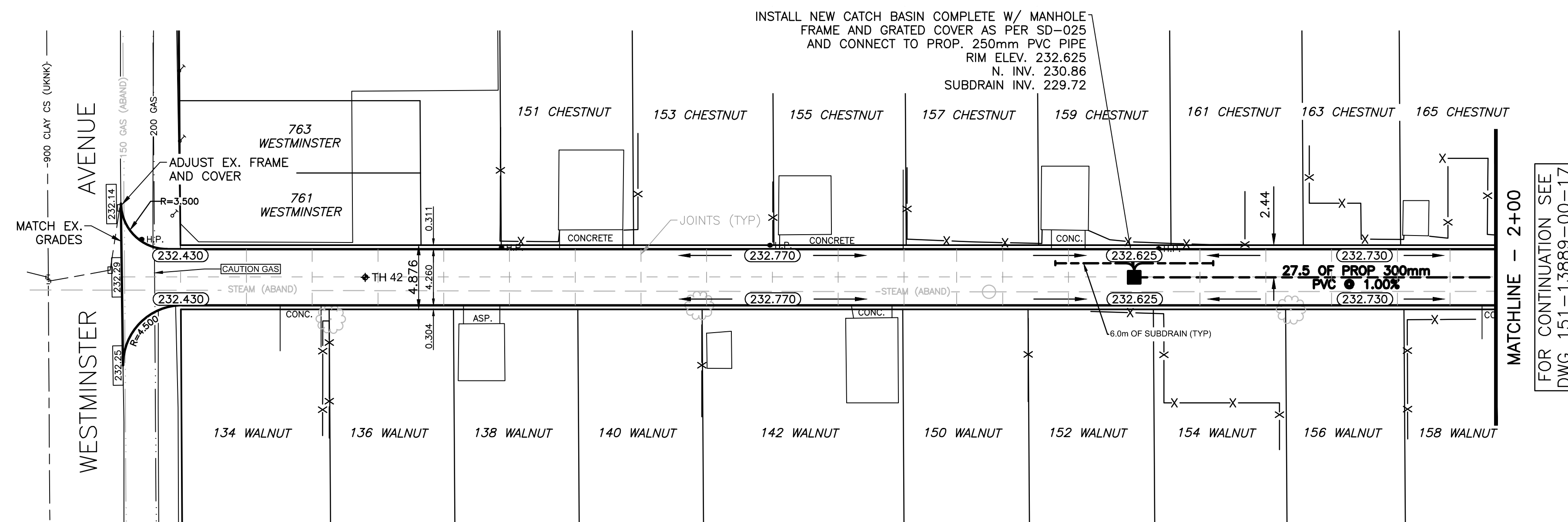
CHAINAGE ALONG C OF PUBLIC RIGHT-OF-WAY

CHESTNUT STREET / WALNUT STREET

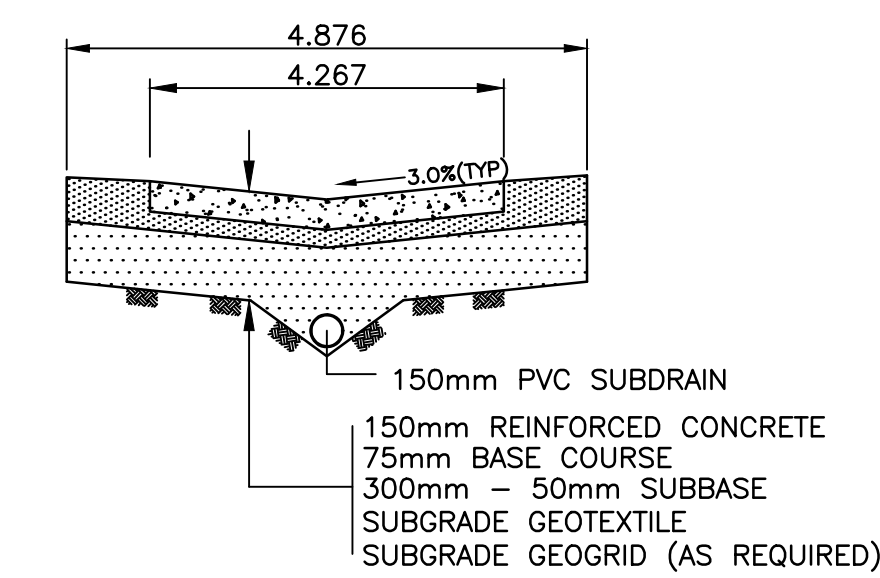


NOTES:

- ISOLATE EXISTING HYDRO POLES AS DIRECTED BY CONTRACT ADMINISTRATOR
- RENEW EXISTING APPROACHES AS DIRECTED BY CONTRACT ADMINISTRATOR
- ADDITIONAL EXCAVATION AND INSTALLATION OF SUBGRADE GEOGRID TO BE DETERMINED BY CONTRACT ADMINISTRATOR
- ADJUSTMENTS TO PROPOSED CROSSFALL, WHERE REQUIRED, ARE TO BE DETERMINED BY CONTRACT ADMINISTRATOR TO SUIT EXISTING DRIVEWAYS, APPROACHES, ETC.
- MODIFIED BARRIER CURB TO BE USED FOR CURB RENEWAL AT RADI AS DIRECTED BY CONTRACT ADMINISTRATOR
- EX. MANHOLES, CATCHBASINS, GATE VALVES AND OTHER APPURTENANCES TO BE ADJUSTED AS DIRECTED BY CONTRACT ADMINISTRATOR



TYPICAL ALLEY CROSS SECTION N.T.S.



TYPICAL ALLEY CROSS SECTION N.T.S.

"Description of property limits, and existing and/or proposed features relative to these limits as shown on this drawing do not represent a Legal Survey. WSP makes no representation or guarantee that the property limit information is accurate. WSP accepts no responsibility for damages, if any, suffered by any third party as a result of decisions made or actions based on this drawing."

---	WATERMAIN	---	M.T.S.	---	WATERMAIN	---	LOCATION APPROVED UNDERGROUND STRUCTURES	B.M. ELEV.
⊕	HYDRANT VALVE	⊕	TRAFFIC SIGNAL CONCRETE/ASPHALT	---	VALVE	---		
⊕	CURB STOP	⊕	SIDEWALK	---	LAND DRAINAGE SEWER	---		
---	WASTE WATER SEWER	---	CURB RAMP	---	WASTE WATER SEWER	---		
---	LAND DRAINAGE SEWER	---	PROPERTY LINE ELEVATIONS	---	CENTERLINE	---		
---	C.B. LEAD	---	TEST HOLE LOCATION	---	SOUTH & EAST GUTTER	---		
○	MANHOLE	○		---	NORTH & WEST GUTTER	---		
□	CATCH BASIN	□		---	S. & E. PAD/GARG.	---		
---	GAS	---		---	N. & W. PAD/GARG.	---		
---	HYDRO	---		---		---		
---	EXISTING	---	LEGEND - PLAN	---	EXISTING	---	LEGEND - PROFILE	---
---	PROPOSED	---	PROPOSED	---	PROPOSED	---	PROPOSED	---

NO.	REVISIONS	DATE	BY
2	ISSUED FOR TENDER	04/11/16	AB
1	CON REVIEW & APPROVAL	03/07/16	RH

DESIGNED BY	R.H.	CHECKED BY	S.M.
DRAWN BY	R.H.	APPROVED BY	I.McK.
HOR. SCALE:	1:250	RELEASED FOR CONSTRUCTION	
VERT. SCALE:	1:25	DATE	---
DATE	JANUARY 2016		

CONSULTANT DRAWING NO.	151-13889-00-16
------------------------	-----------------

THE CITY OF WINNIPEG
PUBLIC WORKS DEPARTMENT

2016 ALLEY RECONSTRUCTION - CONTRACT 2
CHESTNUT STREET / WALNUT STREET ALLEY
FROM WESTMINSTER AVENUE TO STA. 2+00
CONCRETE PAVEMENT

CITY DRAWING NO. SHEET 1 OF 2
317-2016

