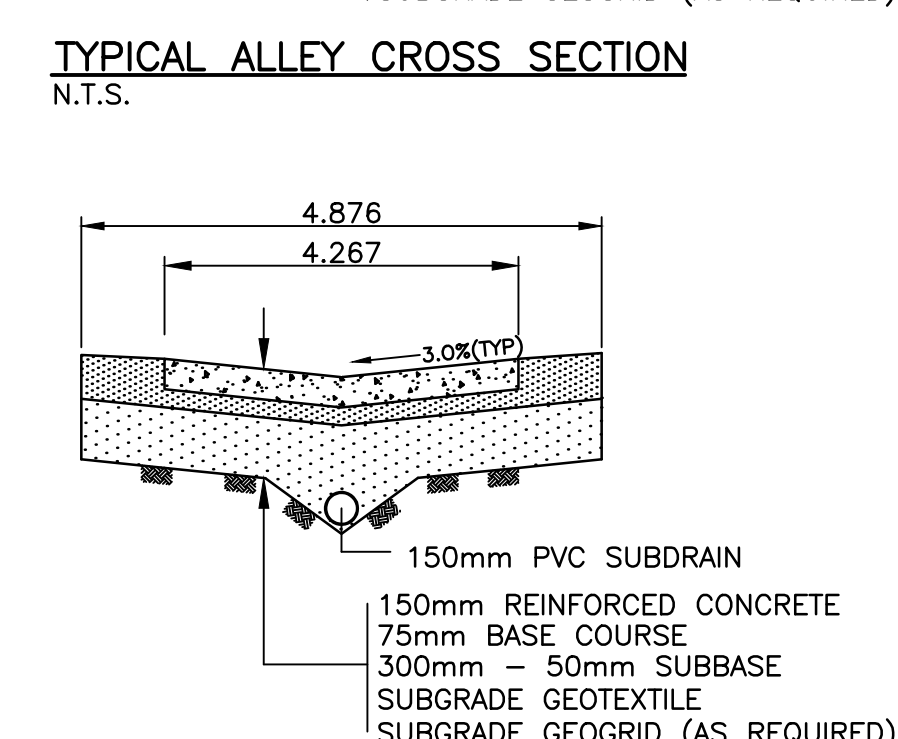
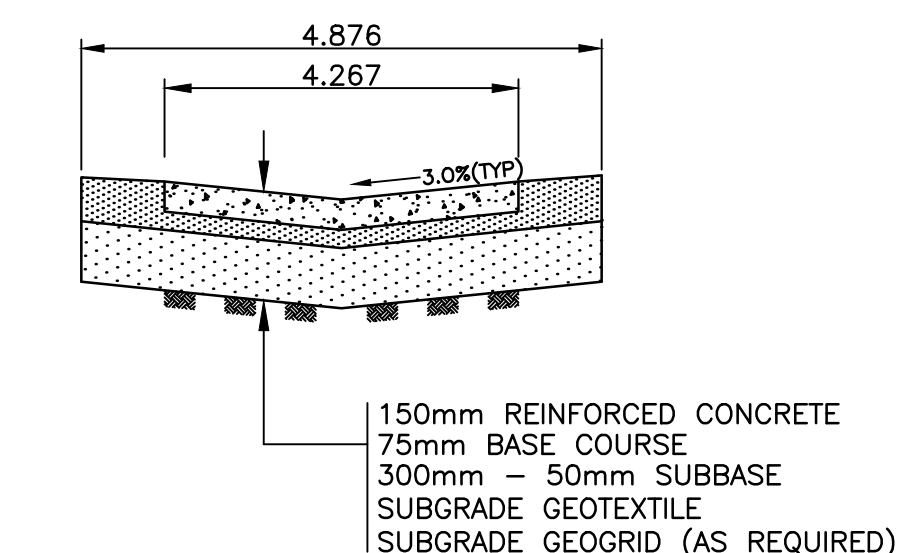
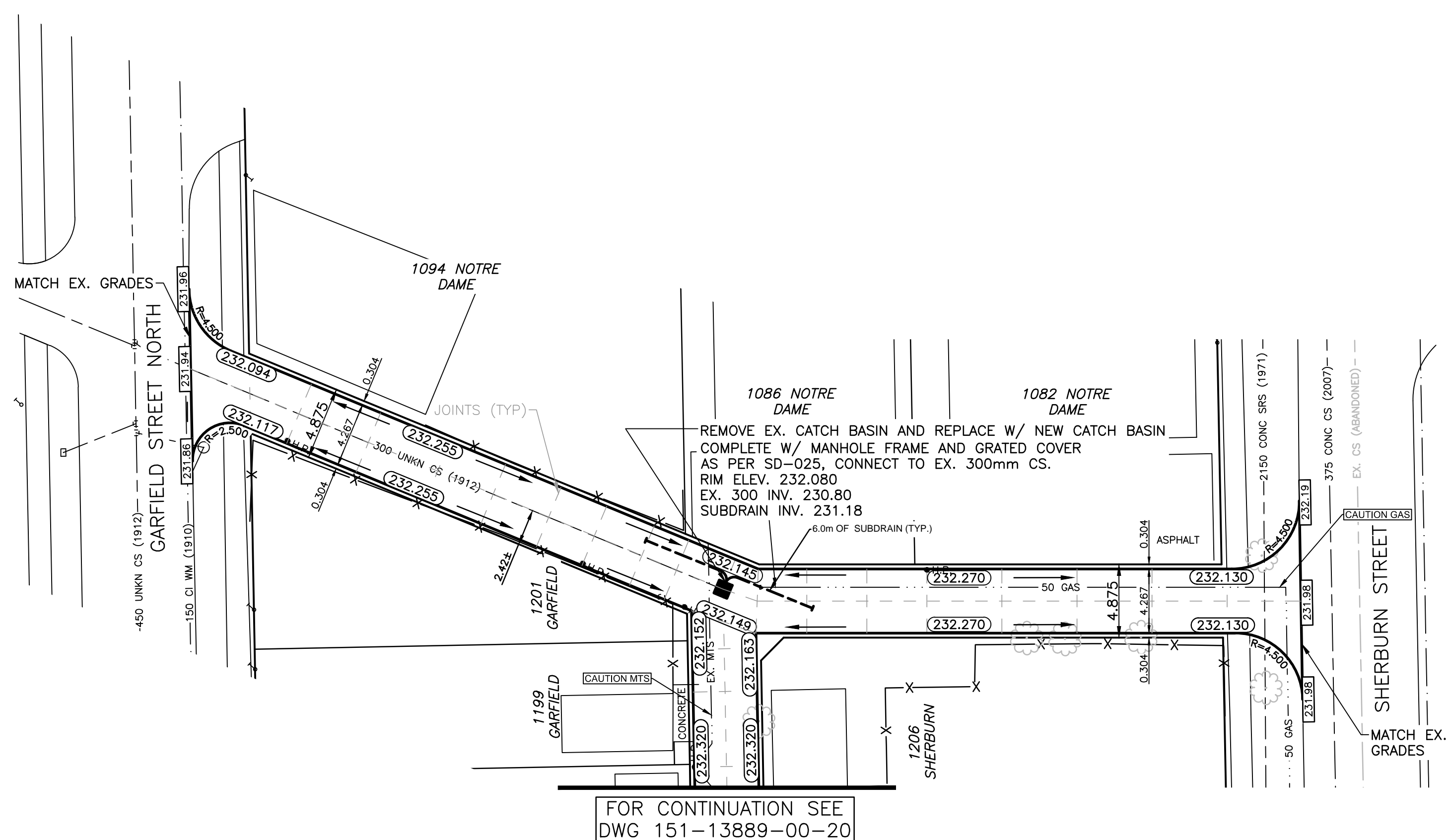


CHAINAGE ALONG C OF PUBLIC RIGHT-OF-WAY  
**GARFIELD STREET NORTH / SHERBURN STREET ALLEY**

**NOTES:**

- ISOLATE EXISTING HYDRO POLES AS DIRECTED BY CONTRACT ADMINISTRATOR
- RENEW EXISTING APPROACHES AS DIRECTED BY CONTRACT ADMINISTRATOR
- ADDITIONAL EXCAVATION AND INSTALLATION OF SUBGRADE GEOGRID TO BE DETERMINED BY CONTRACT ADMINISTRATOR
- ADJUSTMENTS TO PROPOSED CROSSFALL, WHERE REQUIRED, ARE TO BE DETERMINED BY CONTRACT ADMINISTRATOR TO SUIT EXISTING DRIVEWAYS, APPROACHES, ETC.
- MODIFIED BARRIER CURB TO BE USED FOR CURB RENEWAL AT RADII AS DIRECTED BY CONTRACT ADMINISTRATOR
- EX. MANHOLES, CATCHBASINS, GATE VALVES AND OTHER APPURTENANCES TO BE ADJUSTED AS DIRECTED BY CONTRACT ADMINISTRATOR



"Description of property limits, and existing and/or proposed features relative to these limits as shown on this drawing do not represent a Legal Survey. WSP makes no representation or guarantee that the property limit information is accurate. WSP accepts no responsibility for damages, if any, suffered by any third party as a result of decisions made or actions based on this drawing."

WATERMAIN		M.T.S.		WATERMAIN	
HYDRANT	TRAFFIC SIGNAL	VALVE	CONCRETE/ASPHALT	VALVE	LAND DRAINAGE SEWER
VALVE	SIDEWALK	CONCRETE/ASPHALT	CURB RAMP	WASTE WATER SEWER	CENTERLINE
CURB STOP	CURB RAMP	WASTE WATER SEWER	PROPERTY LINE	SOUTH & EAST GUTTER	NORTH & WEST GUTTER
WASTE WATER SEWER	PROPERTY LINE	LAND DRAINAGE SEWER	ELEVATIONS	S. & E. PAD/GARG.	N. & W. PAD/GARG.
C.B. LEAD	TEST HOLE LOCATION	WASTE WATER SEWER	TH#		
MANHOLE					
CATCH BASIN					
GAS					
HYDRO					
EXISTING	LEGEND - PLAN	PROPOSED	EXISTING	LEGEND - PLAN	PROPOSED
EXISTING	LEGEND - PROFILE	PROPOSED	EXISTING	LEGEND - PROFILE	PROPOSED

LOCATION APPROVED UNDERGROUND STRUCTURES		B.M. ELEV.	
SUPV. U/G STRUCTURES	DATE		
COMMITTEE			
NOTE:			
LOCATION OF UNDERGROUND STRUCTURES AS SHOWN ARE BASED ON THE BEST INFORMATION AVAILABLE BUT NO GUARANTEE IS GIVEN THAT ALL EXISTING UTILITIES ARE SHOWN OR THAT THE GIVEN LOCATIONS ARE EXACT. CONFIRMATION OF EXISTENCE AND EXACT LOCATION OF ALL SERVICES MUST BE OBTAINED FROM THE INDIVIDUAL UTILITIES BEFORE PROCEEDING WITH CONSTRUCTION.			
NO.	REVISIONS	DATE	BY
2	ISSUED FOR TENDER	04/11/16	AB
1	CON REVIEW & APPROVAL	03/07/16	RH

**WSP**  
 1600 BUFFALO PLACE  
 WINNIPEG, MB, R3T 6B8  
 PHONE: 204-477-6650  
 FAX: 204-474-2864  
 WWW.WSPGROUP.COM

DESIGNED BY: R.H.  
 CHECKED BY: S.M.  
 DRAWN BY: R.H.  
 APPROVED BY: I.McK.  
 HOR. SCALE: 1:250  
 VERT. SCALE: 1:25  
 RELEASED FOR CONSTRUCTION  
 DATE: JANUARY 2016

ENGINEERS SEAL	
CONSULTANT DRAWING NO.	151-13889-00-21

**THE CITY OF WINNIPEG**  
 PUBLIC WORKS DEPARTMENT

**2016 ALLEY RECONSTRUCTION - CONTRACT 2**  
 GARFIELD STREET/SHERBURN STREET ALLEY  
 FROM GARFIELD STREET TO SHERBURN STREET  
 CONCRETE PAVEMENT

CITY DRAWING NO.  
 SHEET 2 OF 2  
 317-2016

