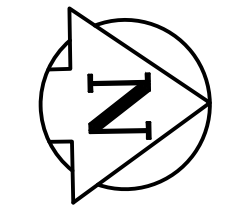
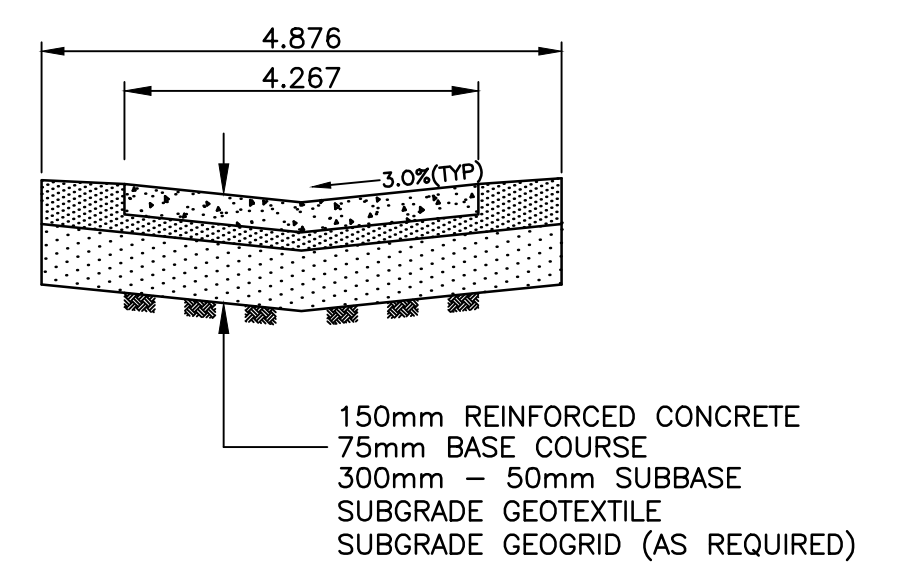


CHAINAGE ALONG C. OF PUBLIC RIGHT-OF-WAY
VICTOR STREET / AGNES STREET

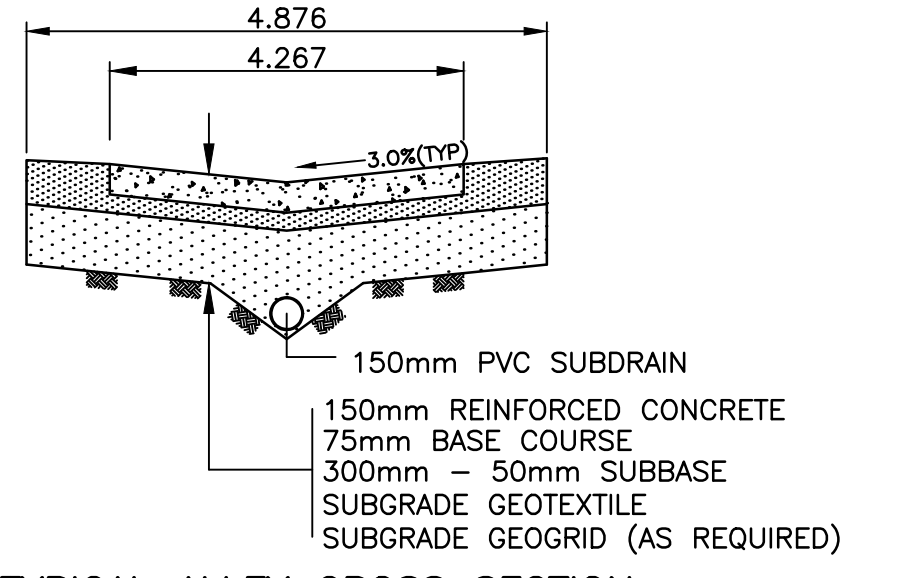
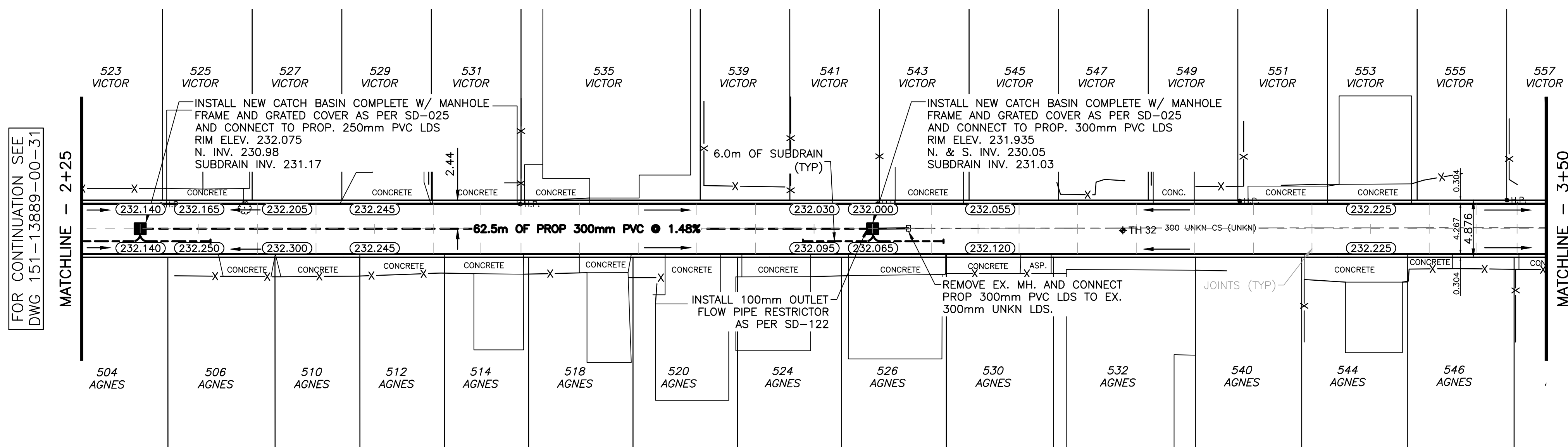


NOTES:

- ISOLATE EXISTING HYDRO POLES AS DIRECTED BY CONTRACT ADMINISTRATOR
- RENEW EXISTING APPROACHES AS DIRECTED BY CONTRACT ADMINISTRATOR
- ADDITIONAL EXCAVATION AND INSTALLATION OF SUBGRADE GEOGRID TO BE DETERMINED BY CONTRACT ADMINISTRATOR
- ADJUSTMENTS TO PROPOSED CROSSFALL, WHERE REQUIRED, ARE TO BE DETERMINED BY CONTRACT ADMINISTRATOR TO SUIT EXISTING DRIVEWAYS, APPROACHES, ETC.
- MODIFIED BARRIER CURB TO BE USED FOR CURB RENEWAL AT RADII AS DIRECTED BY CONTRACT ADMINISTRATOR
- EX. MANHOLES, CATCHBASINS, GATE VALVES AND OTHER APPURTENANCES TO BE ADJUSTED AS DIRECTED BY CONTRACT ADMINISTRATOR



TYPICAL ALLEY CROSS SECTION
N.T.S.



TYPICAL ALLEY CROSS SECTION
N.T.S.

"Description of property limits, and existing and/or proposed features relative to these limits as shown on this drawing do not represent a Legal Survey. WSP makes no representation or guarantee that the property limit information is accurate. WSP accepts no responsibility for damages, if any, suffered by any third party as a result of decisions made or actions based on this drawing."

---	WATERMAIN	---	M.T.S.	---	WATERMAIN
⊕	HYDRANT	⊕	TRAFFIC SIGNAL	⊕	VALVE
⊕	VALVE	⊕	CONCRETE/ASPHALT	⊕	LAND DRAINAGE SEWER
⊕	CURB STOP	⊕	SIDEWALK	⊕	WASTE WATER SEWER
---	WASTE WATER SEWER	---	CURB RAMP	---	CENTERLINE
---	LAND DRAINAGE SEWER	---	PROPERTY LINE	---	SOUTH & EAST GUTTER
---	C.B. LEAD	---	ELEVATIONS	---	NORTH & WEST GUTTER
○	MANHOLE	○	TEST HOLE LOCATION	---	S. & E. PAD/GARG.
□	CATCH BASIN	□		---	N. & W. PAD/GARG.
---	GAS	---		---	
---	HYDRO	---		---	
---	EXISTING	---	LEGEND - PLAN	---	EXISTING
---	LEGEND - PLAN	---	PROPOSED	---	LEGEND - PROFILE
---	PROPOSED	---	EXISTING	---	PROPOSED

LOCATION APPROVED UNDERGROUND STRUCTURES

NO.	REVISIONS	DATE	BY
2	ISSUED FOR TENDER	04/11/16	A.B.
1	CON REVIEW & APPROVAL	03/07/16	R.H.

NOTE:
 LOCATION OF UNDERGROUND STRUCTURES AS SHOWN ARE BASED ON THE BEST INFORMATION AVAILABLE BUT NO GUARANTEE IS GIVEN THAT ALL EXISTING UTILITIES ARE SHOWN OR THAT THE GIVEN LOCATIONS ARE EXACT. CONFIRMATION OF EXISTENCE AND EXACT LOCATION OF ALL SERVICES MUST BE OBTAINED FROM THE INDIVIDUAL UTILITIES BEFORE PROCEEDING WITH CONSTRUCTION.

WSP 1600 BUFFALO PLACE WINNIPEG, MB, R3T 6B8 PHONE: 204-477-6650 FAX: 204-474-2864 WWW.WSPGROUP.COM

DESIGNED BY	R.H.	CHECKED BY	S.M.
DRAWN BY	R.H.	APPROVED BY	I.McK.
HOR. SCALE:	1:250	RELEASED FOR CONSTRUCTION	---
VERT. SCALE:	1:25	DATE	---

CONSULTANT DRAWING NO. 151-13889-00-32

THE CITY OF WINNIPEG
 PUBLIC WORKS DEPARTMENT

2016 ALLEY RECONSTRUCTION - CONTRACT 2
 VICTOR STREET/AGNES STREET ALLEY
 FROM STA. 2+25 TO STA. 3+50
 CONCRETE PAVEMENT

CITY DRAWING NO. SHEET 2 OF 3
 317-2016

