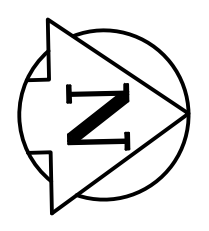
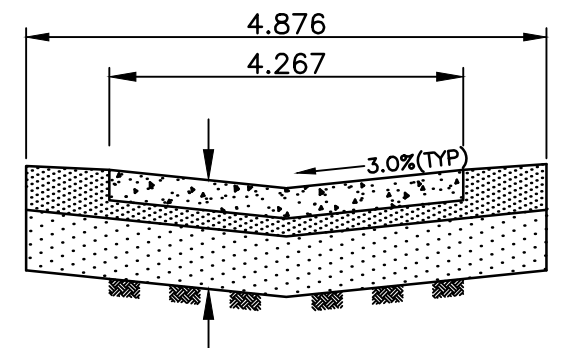
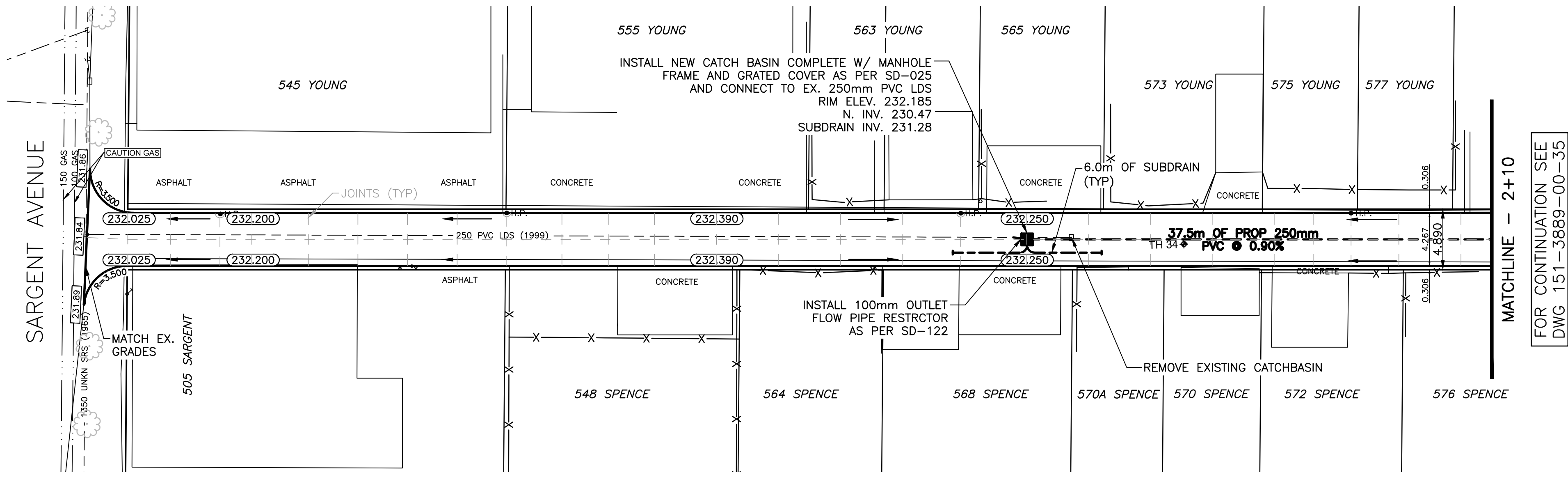


YOUNG STREET / SPENCE STREET

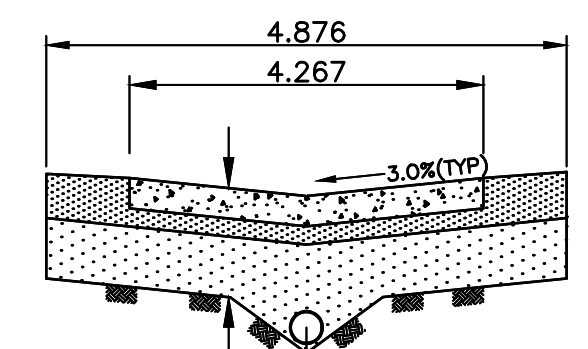


- NOTES:**
1. ISOLATE EXISTING HYDRO POLES AS DIRECTED BY CONTRACT ADMINISTRATOR
 2. RENEW EXISTING APPROACHES AS DIRECTED BY CONTRACT ADMINISTRATOR
 3. ADDITIONAL EXCAVATION AND INSTALLATION OF SUBGRADE GEOGRID TO BE DETERMINED BY CONTRACT ADMINISTRATOR
 4. ADJUSTMENTS TO PROPOSED CROSSFALL, WHERE REQUIRED, ARE TO BE DETERMINED BY CONTRACT ADMINISTRATOR TO SUIT EXISTING DRIVEWAYS, APPROACHES, ETC.
 5. MODIFIED BARRIER CURB TO BE USED FOR CURB RENEWAL AT RADII AS DIRECTED BY CONTRACT ADMINISTRATOR
 6. EX. MANHOLES, CATCHBASINS, GATE VALVES AND OTHER APPURTENANCES TO BE ADJUSTED AS DIRECTED BY CONTRACT ADMINISTRATOR



150mm REINFORCED CONCRETE
75mm BASE COURSE
300mm - 50mm SUBBASE
SUBGRADE GEOTEXTILE
SUBGRADE GEOGRID (AS REQUIRED)

TYPICAL ALLEY CROSS SECTION
N.T.S.



150mm PVC SUBDRAIN
150mm REINFORCED CONCRETE
75mm BASE COURSE
300mm - 50mm SUBBASE
SUBGRADE GEOTEXTILE
SUBGRADE GEOGRID (AS REQUIRED)

TYPICAL ALLEY CROSS SECTION
N.T.S.

"Description of property limits, and existing and/or proposed features relative to these limits as shown on this drawing do not represent a Legal Survey. WSP makes no representation or guarantee that the property limit information is accurate. WSP accepts no responsibility for damages, if any, suffered by any third party as a result of decisions made or actions based on this drawing."

EXISTING	LEGEND - PLAN	PROPOSED	EXISTING	LEGEND - PLAN	PROPOSED	EXISTING	LEGEND - PROFILE	PROPOSED
	WATERMAIN			M.T.S.			WATERMAIN VALVE	
	HYDRANT			TRAFFIC SIGNAL			LAND DRAINAGE SEWER	
	VALVE			CONCRETE/ASPHALT			WASTE WATER SEWER	
	CURB STOP			SIDEWALK			CENTERLINE	
	WASTE WATER SEWER			CURB RAMP			SOUTH & EAST GUTTER	
	LAND DRAINAGE SEWER			PROPERTY LINE			NORTH & WEST GUTTER	
	C.B. LEAD			ELEVATIONS			S. & E. PAD/GARG.	
	MANHOLE			TEST HOLE LOCATION			N. & W. PAD/GARG.	
	CATCH BASIN							
	GAS							
	HYDRO							

LOCATION APPROVED UNDERGROUND STRUCTURES

SUPV. U/G STRUCTURES COMMITTEE DATE

NOTE:
LOCATION OF UNDERGROUND STRUCTURES AS SHOWN ARE BASED ON THE BEST INFORMATION AVAILABLE BUT NO GUARANTEE IS GIVEN THAT ALL EXISTING UTILITIES ARE SHOWN OR THAT THE GIVEN LOCATIONS ARE EXACT. CONFIRMATION OF EXISTENCE AND EXACT LOCATION OF ALL SERVICES MUST BE OBTAINED FROM THE INDIVIDUAL UTILITIES BEFORE PROCEEDING WITH CONSTRUCTION.

NO.	REVISIONS	DATE	BY
2	ISSUED FOR TENDER	04/11/16	AB
1	CON REVIEW & APPROVAL	03/07/16	RH

1600 BUFFALO PLACE
WINNIPEG, MB, R3T 6B8
PHONE: 204-477-6650
FAX: 204-474-2864
WWW.WSPGROUP.COM

DESIGNED BY: R.H. CHECKED BY: S.M.
DRAWN BY: R.H. APPROVED BY: I.McK.
HOR. SCALE: 1:250
VERT. SCALE: 1:25
DATE: JANUARY 2016

ENGINEERS SEAL

CONSULTANT DRAWING NO. 151-13889-00-34

THE CITY OF WINNIPEG
PUBLIC WORKS DEPARTMENT

2016 ALLEY RECONSTRUCTION - CONTRACT 2
YOUNG STREET/SPENCE STREET ALLEY
FROM SARGENT AVENUE TO STA. 2+10
CONCRETE PAVEMENT

CITY DRAWING NO. SHEET 1 OF 2
317-2016

APEGM
Certificate of Authorization
WSP Canada Inc.
No. 5760 Date Month DD, YYYY