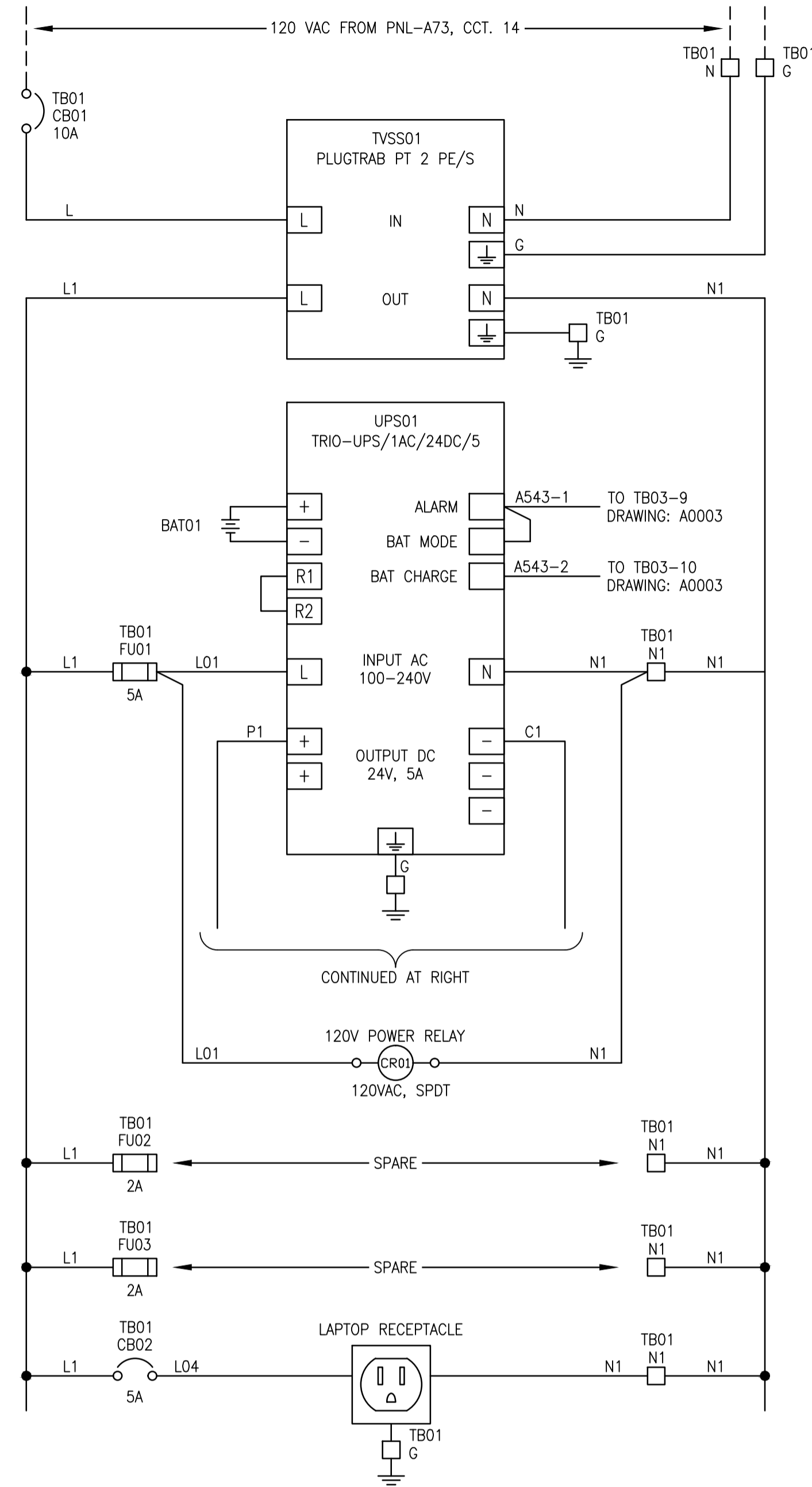
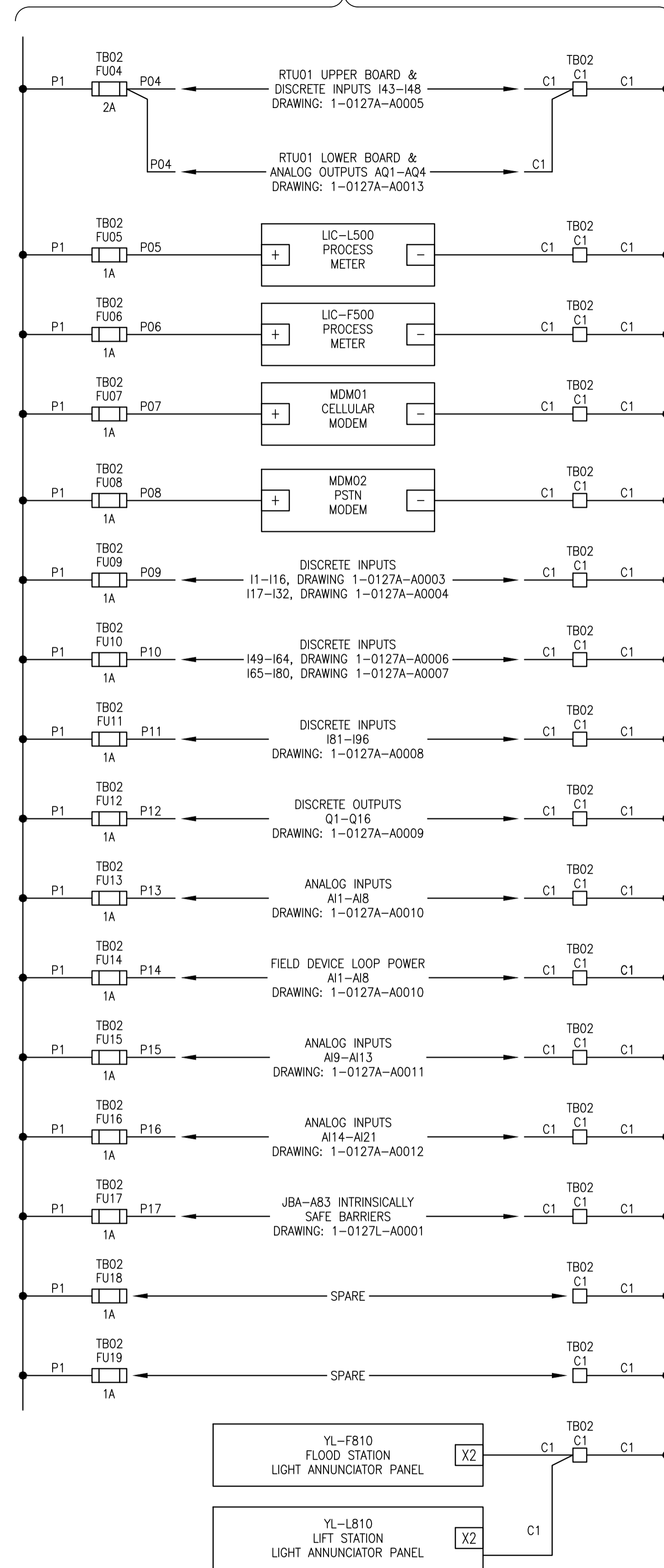


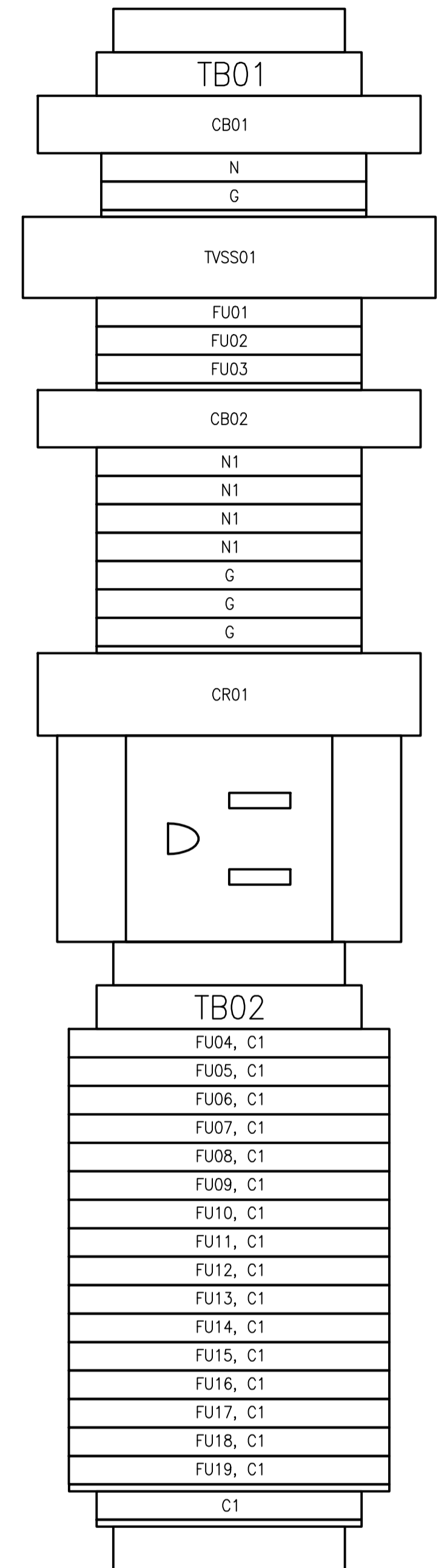
SCHEMATIC:



24VDC FROM UPS01



TERMINAL LAYOUT:



NOTES:

1. ALL 120VAC POWER WIRING TO BE A MINIMUM OF 14 AWG UNLESS OTHERWISE INDICATED.
2. ALL 24VDC POWER WIRING TO BE A MINIMUM OF 12 AWG UNLESS OTHERWISE INDICATED.



NO.	REVISIONS	DATE	DESIGN	CHECK
00	ISSUED FOR TENDER, BID OP. 331-2016	2016/05/05	BJC	FA

SNC-LAVALIN INC. 148 Nature Park Way Winnipeg, MB, Canada R3P 0X7 204-786-8080	
DESIGNED BY: B. CLEVEN	CHECKED BY: F. ATAEI
DRAWN BY: Y. KONIG	APPROVED BY: I. PARKINSON
SCALE: NTS	ISSUED FOR CONSTRUCTION BY: K. ZUREK
DATE: 2016/02/03	DATE: 2016/05/06
CONSULTANT NO.:	

ENGINEER'S SEAL
 ORIGINAL DRAWING
 SEALED BY:
 B. CLEVEN
 SNC-LAVALIN
 MEMBER #31479
 2016/05/06
 REV. 00

THE CITY OF WINNIPEG
 WATER AND WASTE DEPARTMENT
 COCKBURN FLOOD AND WASTEWATER PUMPING STATION
 2016 UPGRADES
 POWER DISTRIBUTION
 CONTROL PANEL CP-AB1
 CITY DRAWING NUMBER: 1-0127A-A0002
 SHEET: 001 REV. 00 SIZE: A1