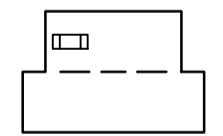
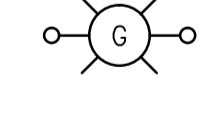


FUSE SCHEDULE			
TB	IDENTIFIER	SIZE	RATED CURRENT (A)
TB03	1P	5x20mm	0.2
	2P	5x20mm	0.2
	3P	5x20mm	0.2
	4P	5x20mm	0.2
	5P	5x20mm	0.2
	6P	5x20mm	0.2
	7P	5x20mm	0.2
	8P	5x20mm	0.2
	9P	5x20mm	0.2
	10P	5x20mm	0.2
	11P	5x20mm	0.2
	12P	5x20mm	0.2
	13P	5x20mm	0.2
	14P	5x20mm	0.2
	15P	5x20mm	0.2
	16P	5x20mm	0.2

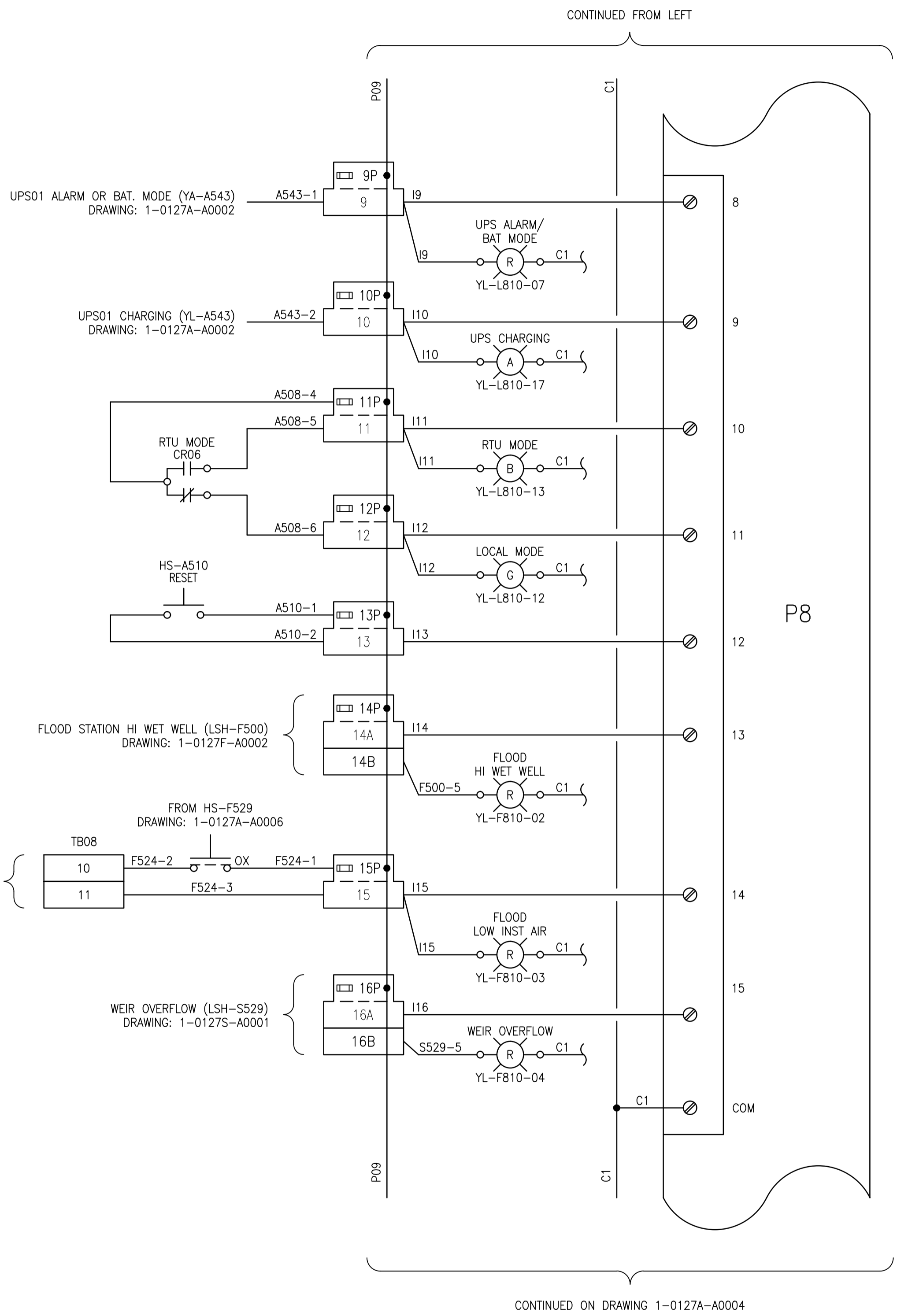
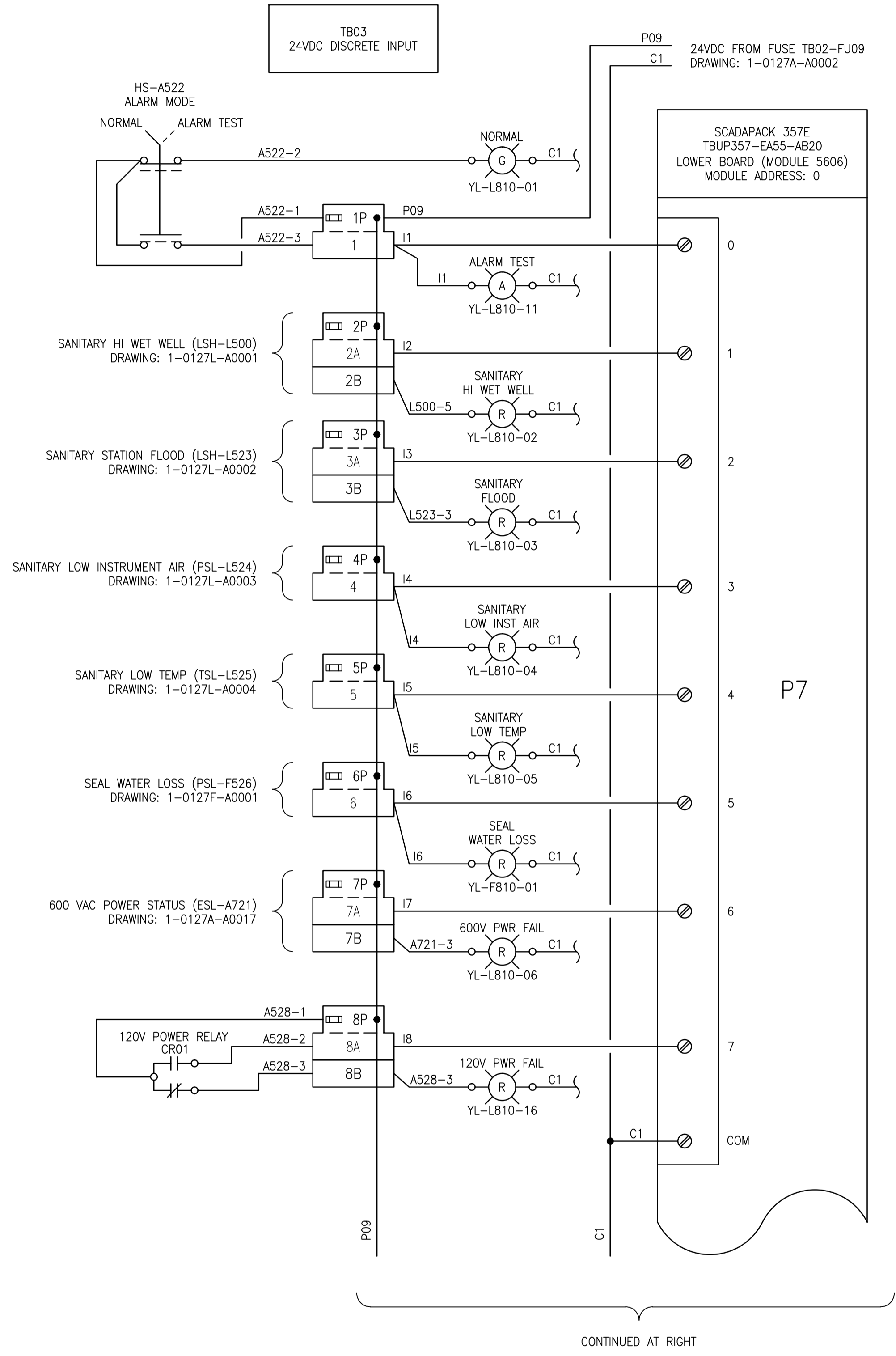
LEGEND:



DOUBLE LEVEL FUSED TERMINAL



ANNUNCIATOR PANEL LIGHT
 (NOTE: CONNECTION TO COMMON NOT SHOWN. SEE DRAWING 1-0127A-A0002 FOR CONNECTION)



NO.	REVISIONS	DATE	DESIGN	CHECK
00	ISSUED FOR TENDER, BID OP. 331-2016	2016/05/05	BJC	FA

SNC-LAVALIN INC.
 148 Nature Park Way
 Winnipeg, MB, Canada R3P 0X7
 204-786-8080

DESIGNED BY: B. CLEVEN
 CHECKED BY: F. ATAEI
 DRAWN BY: Y. KONIG
 APPROVED BY: I. PARKINSON
 SCALE: NTS
 ISSUED FOR CONSTRUCTION BY: K. ZUREK
 DATE: 2016/02/03
 DATE: 2016/05/06

CONSULTANT NO.:

ENGINEER'S SEAL

ORIGINAL DRAWING
 SEALED BY: B. CLEVEN
 SNC-LAVALIN
 MEMBER #31479
 2016/05/05
 REV. 00

THE CITY OF WINNIPEG
 WATER AND WASTE DEPARTMENT

COCKBURN FLOOD AND WASTEWATER PUMPING STATION
 2016 UPGRADES
 RTU I/O WIRING DIAGRAM
 CONTROL PANEL CP-AB1
 DISCRETE INPUTS I1-I16

CITY DRAWING NUMBER: 1-0127A-A0003
 SHEET: 001
 REV: 00
 SIZE: A1

DRAWING NUMBER	REFERENCE DRAWINGS