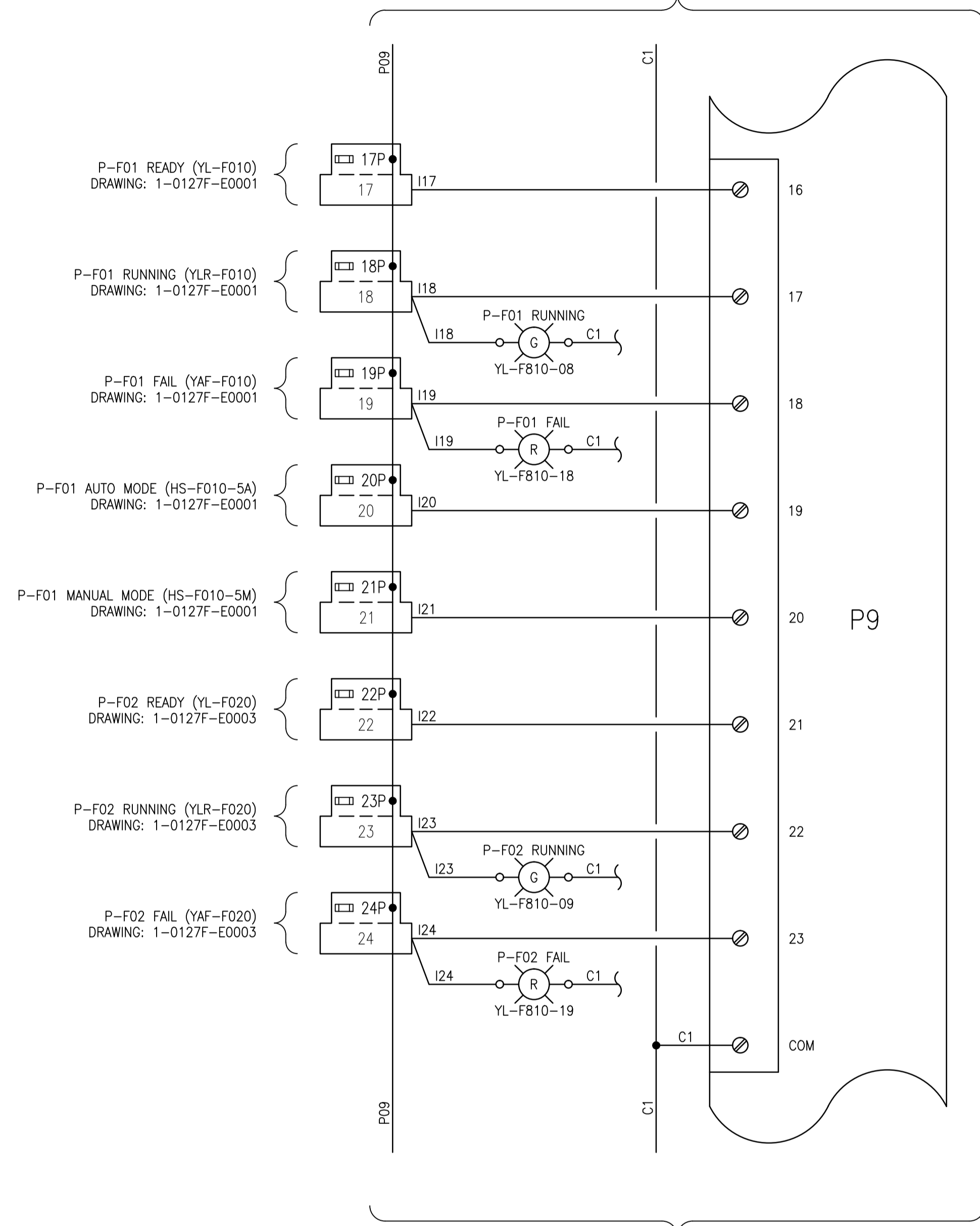


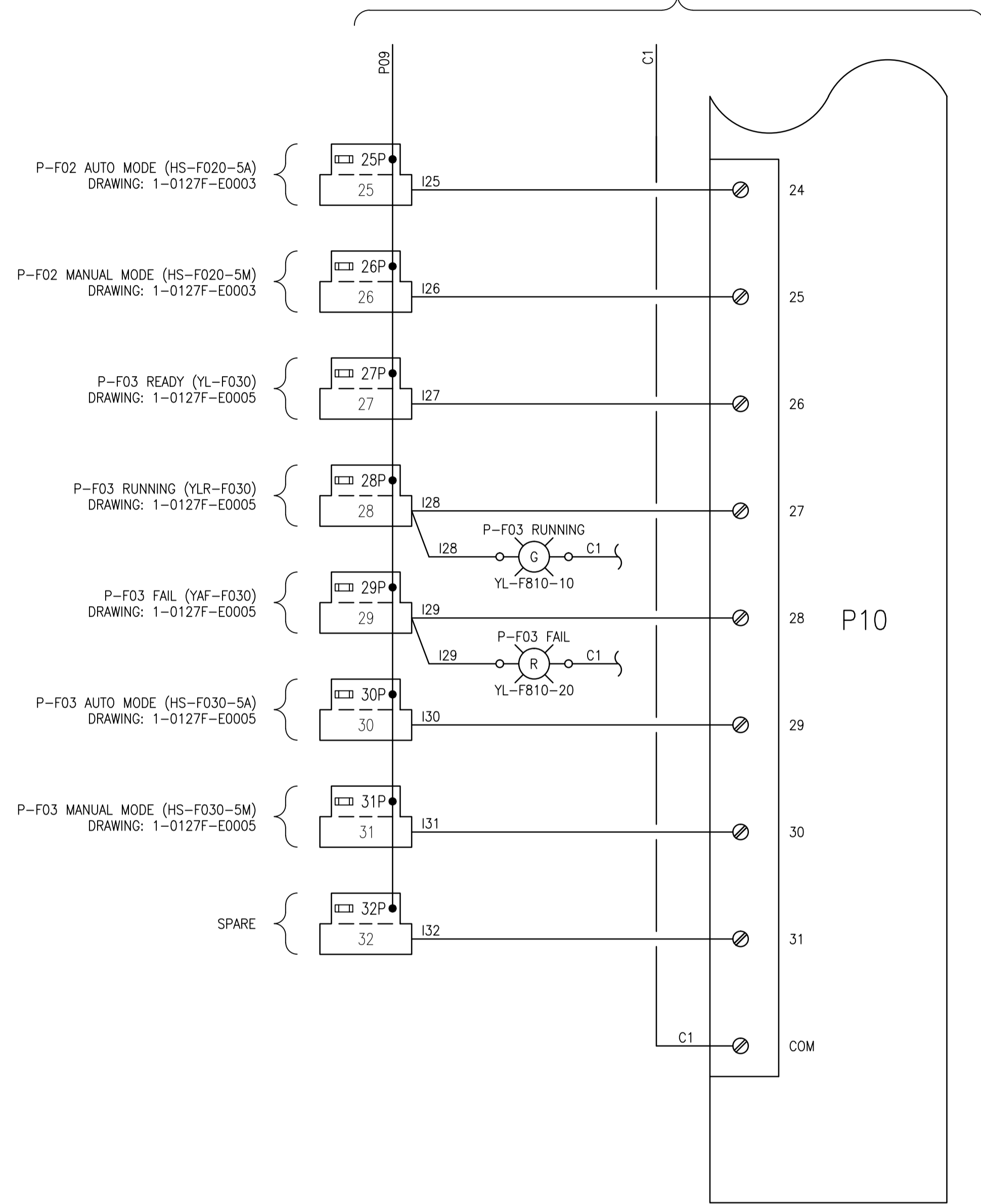
TB03
24VDC DISCRETE INPUT

CONTINUED FROM DRAWING 1-0127A-A0003



CONTINUED AT RIGHT

CONTINUED FROM LEFT



FUSE SCHEDULE			
TB	IDENTIFIER	SIZE	RATED CURRENT (A)
TB03	17P	5x20mm	0.2
	18P	5x20mm	0.2
	19P	5x20mm	0.2
	20P	5x20mm	0.2
	21P	5x20mm	0.2
	22P	5x20mm	0.2
	23P	5x20mm	0.2
	24P	5x20mm	0.2
	25P	5x20mm	0.2
	26P	5x20mm	0.2
	27P	5x20mm	0.2
	28P	5x20mm	0.2
	29P	5x20mm	0.2
	30P	5x20mm	0.2
	31P	5x20mm	0.2
	32P	5x20mm	0.2

LEGEND:

DOUBLE LEVEL FUSED TERMINAL

ANNUNCIATOR PANEL LIGHT
(NOTE: CONNECTION TO COMMON NOT SHOWN. SEE DRAWING 1-0127A-A0002 FOR CONNECTION)

LAST SAVE: 2016/05/06 - 3:12pm
PATH: M:\632354\MENG\481&C\DD - General DWG\1-0127A-A0004-001-00.dwg

DRAWING NUMBER	REFERENCE DRAWINGS



NO.	REVISIONS	DATE	DESIGN	CHECK
00	ISSUED FOR TENDER, BID OP. 331-2016	2016/05/05	BJC	FA

SNC-LAVALIN INC.
148 Nature Park Way
Winnipeg, MB, Canada R3P 0X7
204-786-8080

DESIGNED BY: B. CLEVEN
DRAWN BY: Y. KONIG
SCALE: NTS
DATE: 2016/02/03

CHECKED BY: F. ATAËI
APPROVED BY: I. PARKINSON
ISSUED FOR CONSTRUCTION BY: K. ZUREK
DATE: 2016/05/06

CONSULTANT NO.:

ENGINEER'S SEAL

ORIGINAL DRAWING
SEALED BY:
B. CLEVEN
SNC-LAVALIN
MEMBER #31479
2016/05/05
REV. 00

THE CITY OF WINNIPEG
WATER AND WASTE DEPARTMENT

COCKBURN FLOOD AND WASTEWATER PUMPING STATION
2016 UPGRADES
RTU I/O WIRING DIAGRAM
CONTROL PANEL CP-AB1
DISCRETE INPUTS I17-I32

CITY DRAWING NUMBER: 1-0127A-A0004
SHEET: 001
REV: 00
SIZE: A1