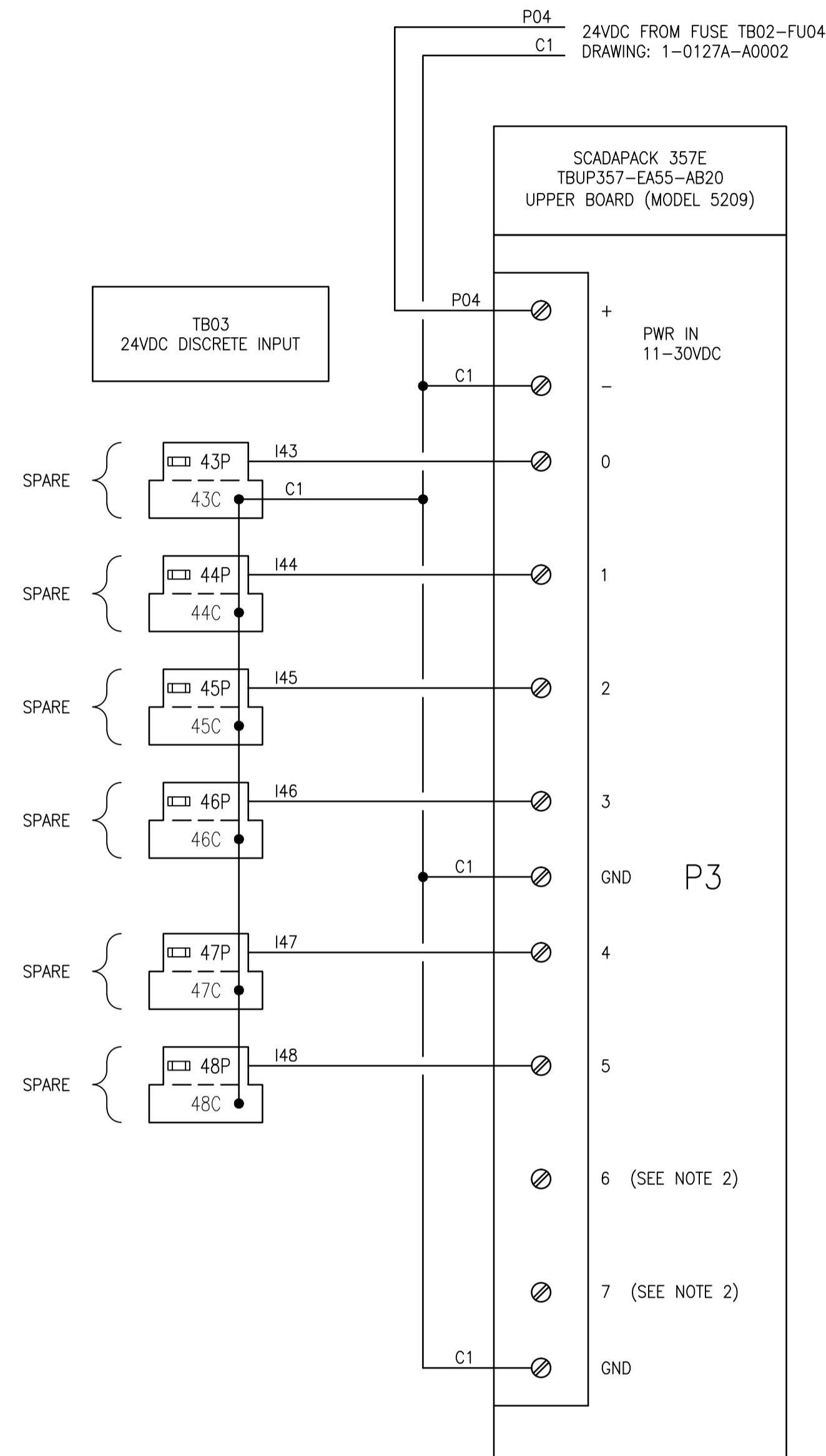
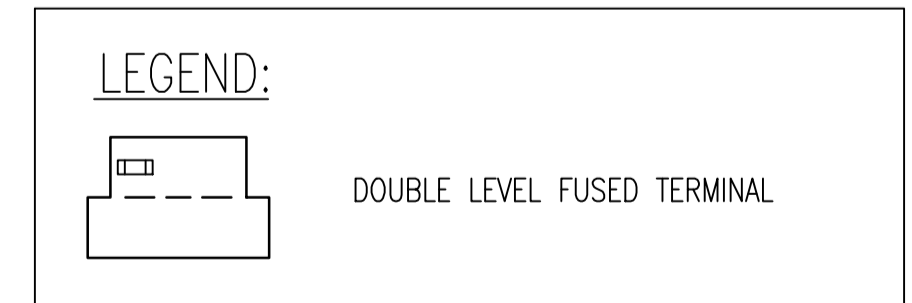


FUSE SCHEDULE			
TB	IDENTIFIER	SIZE	RATED CURRENT (A)
TB03	43P	5x20mm	0.2
	44P	5x20mm	0.2
	45P	5x20mm	0.2
	46P	5x20mm	0.2
	47P	5x20mm	0.2
	48P	5x20mm	0.2



NOTES:

1. THE UNIVERSAL INPUTS/OUTPUTS ON THE UPPER BOARD CONNECTOR P3 SOURCE APPROXIMATELY 5mA WETTING CURRENT OUT OF EACH INPUT/OUTPUT TERMINAL.
2. UNIVERSAL I/O POINTS "6" AND "7" ARE NOT CONNECTED TO FIELD TERMINALS.



DRAWING NUMBER	REFERENCE DRAWINGS
----------------	--------------------



NO.	REVISIONS	DATE	DESIGN	CHECK
00	ISSUED FOR TENDER, BID OP. 331-2016	2016/04/22	BJC	FA

SNC-LAVALIN INC.
 148 Nature Park Way
 Winnipeg, MB, Canada R3P 0X7
 204-786-8080

DESIGNED BY: B. CLEVEN
 CHECKED BY: F. ATAEI
 DRAWN BY: Y. KONIG
 APPROVED BY: I. PARKINSON
 SCALE: NTS
 ISSUED FOR CONSTRUCTION BY: K. ZUREK
 DATE: 2016/02/03
 DATE: 2016/05/06

CONSULTANT NO.:

ENGINEER'S SEAL
 ORIGINAL DRAWING
 SEALED BY:
 B. CLEVEN
 SNC-LAVALIN
 MEMBER #31479
 2016/05/05
 REV. 00

THE CITY OF WINNIPEG
 WATER AND WASTE DEPARTMENT

COCKBURN FLOOD AND WASTEWATER PUMPING STATION
 2016 UPGRADES
 RTU I/O WIRING DIAGRAM
 CONTROL PANEL CP-AB1
 DISCRETE INPUTS I43-I48

CITY DRAWING NUMBER: 1-0127A-A0005
 SHEET: 001
 REV.: 00
 SIZE: A1