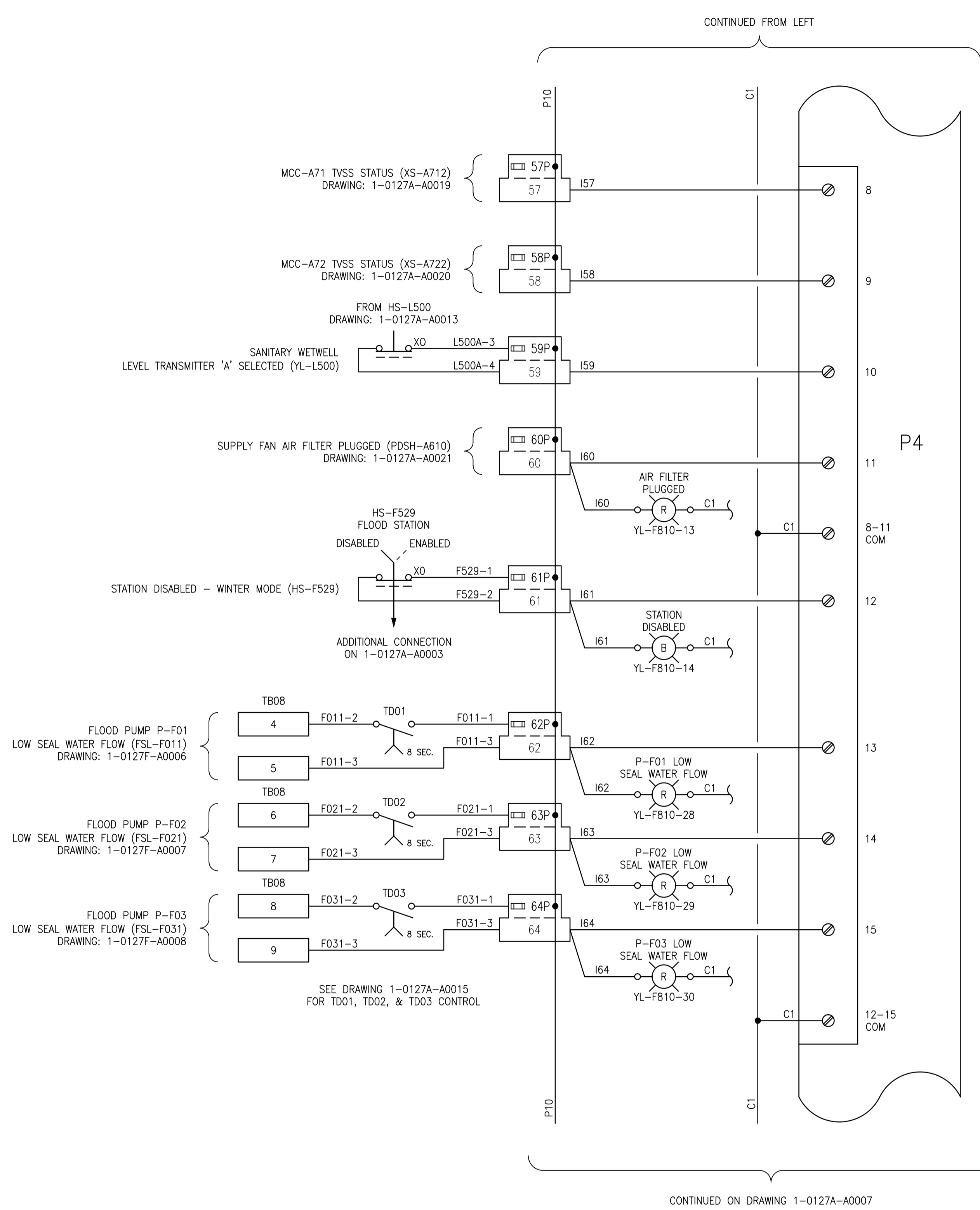


CONTINUED AT RIGHT



CONTINUED FROM LEFT

CONTINUED ON DRAWING 1-0127A-A0007

FUSE SCHEDULE			
TB	IDENTIFIER	SIZE	RATED CURRENT (A)
TB03	49P	5x20mm	0.2
	50P	5x20mm	0.2
	51P	5x20mm	0.2
	52P	5x20mm	0.2
	53P	5x20mm	0.2
	54P	5x20mm	0.2
	55P	5x20mm	0.2
	56P	5x20mm	0.2
	57P	5x20mm	0.2
	58P	5x20mm	0.2
	59P	5x20mm	0.2
	60P	5x20mm	0.2
	61P	5x20mm	0.2
	62P	5x20mm	0.2
	63P	5x20mm	0.2
	64P	5x20mm	0.2

**LEGEND:**

DOUBLE LEVEL FUSED TERMINAL

ANNUNCIATOR PANEL LIGHT  
 (NOTE: CONNECTION TO COMMON NOT SHOWN. SEE DRAWING 1-0127A-A0002 FOR CONNECTION)



<p>SNC-LAVALIN INC.                  148 Nature Park Way                  Winnipeg, MB, Canada R3P 0X7                  204-786-8080</p>				ENGINEER'S SEAL  ORIGINAL DRAWING SEALED BY: B. CLEVEN SNC-Lavalin MEMBER #31479 2016/05/05 REV. 00		<p>THE CITY OF WINNIPEG                  WATER AND WASTE DEPARTMENT</p> <p>COCKBURN FLOOD AND WASTEWATER PUMPING STATION                  2016 UPGRADES                  RTU I/O WIRING DIAGRAM                  CONTROL PANEL CP-AB1                  DISCRETE INPUTS I49-I64</p>					
DESIGNED BY: B. CLEVEN DRAWN BY: Y. KONIG SCALE: NTS DATE: 2016/02/03		CHECKED BY: F. ATAEI APPROVED BY: I. PARKINSON ISSUED FOR CONSTRUCTION BY: K. ZUREK DATE: 2016/05/06		CITY DRAWING NUMBER 1-0127A-A0006		SHEET 001		REV. 00		SIZE A1	
NO. 00 ISSUED FOR TENDER, BID OP. 331-2016 DATE: 2016/05/05 DESIGN: BJC CHECK: FA		CONSULTANT NO.:		CITY DRAWING NUMBER 1-0127A-A0006		SHEET 001		REV. 00		SIZE A1	