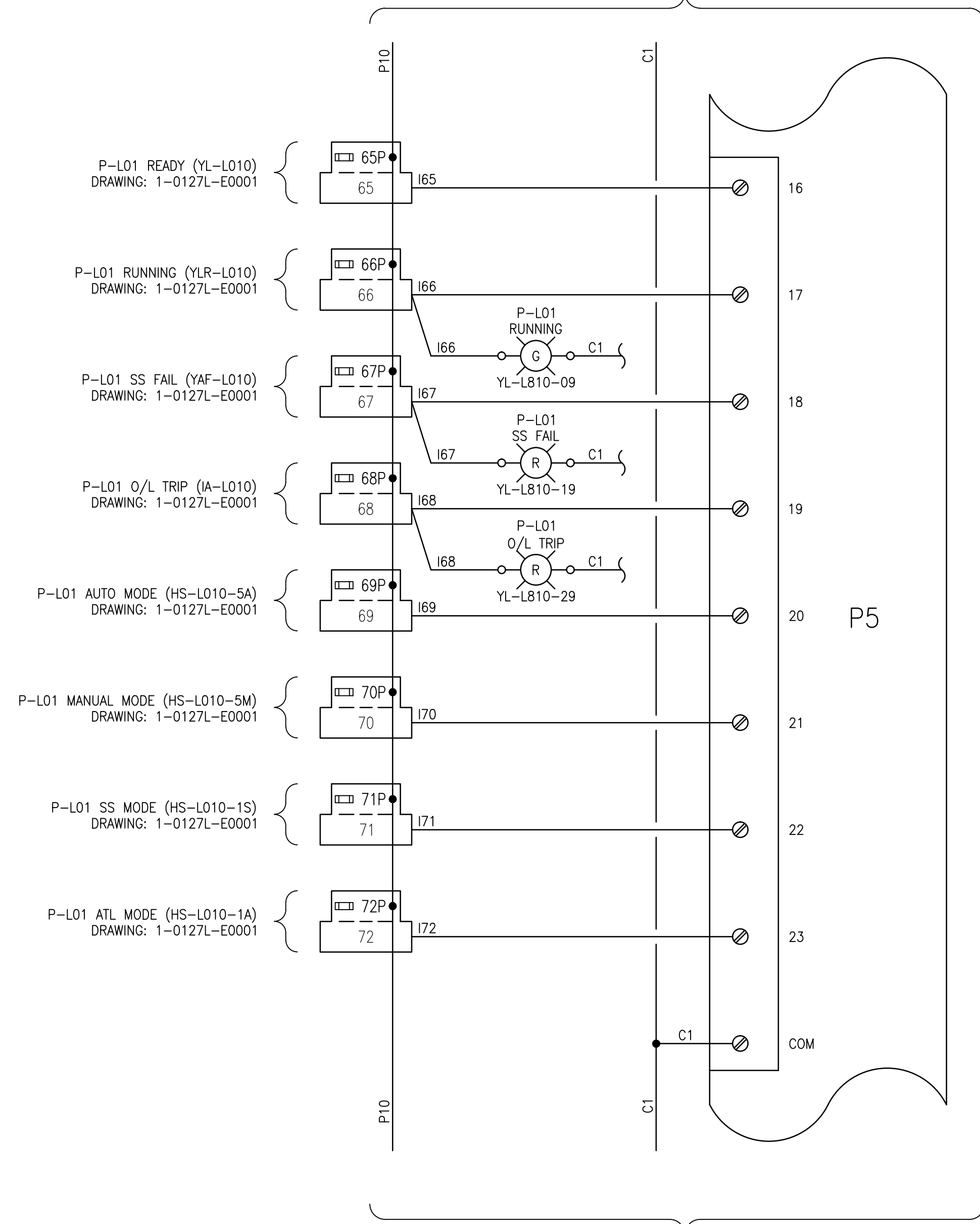


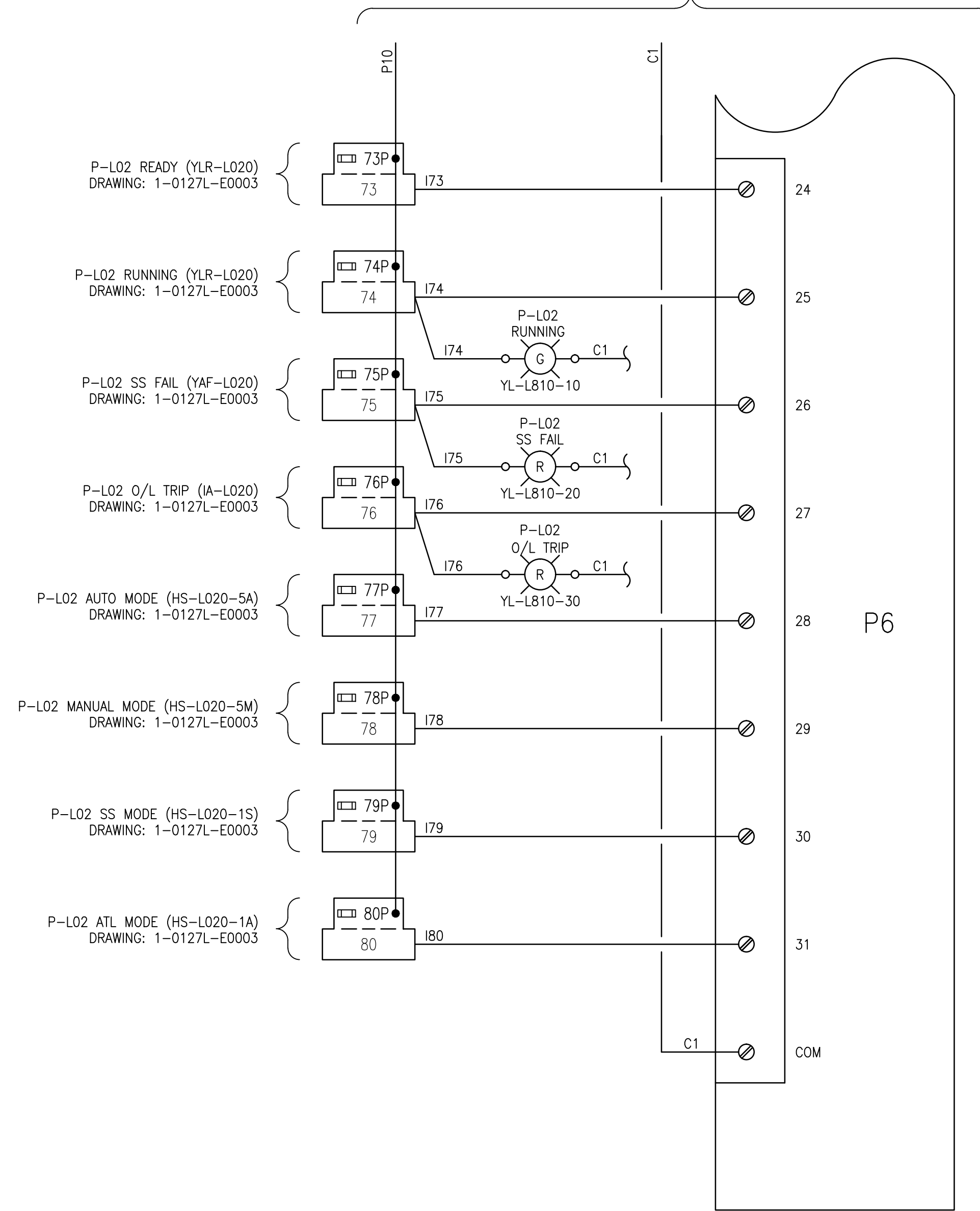
TB03  
24VDC DISCRETE INPUT

CONTINUED FROM DRAWING 1-0127A-A0006



CONTINUED AT RIGHT

CONTINUED FROM LEFT



FUSE SCHEDULE			
TB	IDENTIFIER	SIZE	RATED CURRENT (A)
TB03	65P	5x20mm	0.2
	66P	5x20mm	0.2
	67P	5x20mm	0.2
	68P	5x20mm	0.2
	69P	5x20mm	0.2
	70P	5x20mm	0.2
	71P	5x20mm	0.2
	72P	5x20mm	0.2
	73P	5x20mm	0.2
	74P	5x20mm	0.2
	75P	5x20mm	0.2
	76P	5x20mm	0.2
	77P	5x20mm	0.2
	78P	5x20mm	0.2
	79P	5x20mm	0.2
	80P	5x20mm	0.2

**LEGEND:**

DOUBLE LEVEL FUSED TERMINAL

ANNUNCIATOR PANEL LIGHT  
(NOTE: CONNECTION TO COMMON NOT SHOWN. SEE DRAWING 1-0127A-A0002 FOR CONNECTION)

DRAWING NUMBER	REFERENCE DRAWINGS



NO.	REVISIONS	DATE	DESIGN	CHECK
00	ISSUED FOR TENDER, BID OP. 331-2016	2016/05/05	BJC	FA

**SNC-LAVALIN INC.**  
148 Nature Park Way  
Winnipeg, MB, Canada R3P 0X7  
204-786-8080

DESIGNED BY: B. CLEVEN  
DRAWN BY: Y. KONIG  
SCALE: NTS  
DATE: 2016/02/03

CHECKED BY: F. ATAEI  
APPROVED BY: I. PARKINSON  
ISSUED FOR CONSTRUCTION BY: K. ZUREK  
DATE: 2016/05/06

CONSULTANT NO.:

ENGINEER'S SEAL

ORIGINAL DRAWING  
SEALED BY:  
B. CLEVEN  
SNC-LAVALIN  
MEMBER #31479  
REV. 00

**THE CITY OF WINNIPEG**  
WATER AND WASTE DEPARTMENT

COCKBURN FLOOD AND WASTEWATER PUMPING STATION  
2016 UPGRADES  
RTU I/O WIRING DIAGRAM  
CONTROL PANEL CP-AB1  
DISCRETE INPUTS I65-I80

CITY DRAWING NUMBER: 1-0127A-A0007  
SHEET: 001  
REV: 00  
SIZE: A1