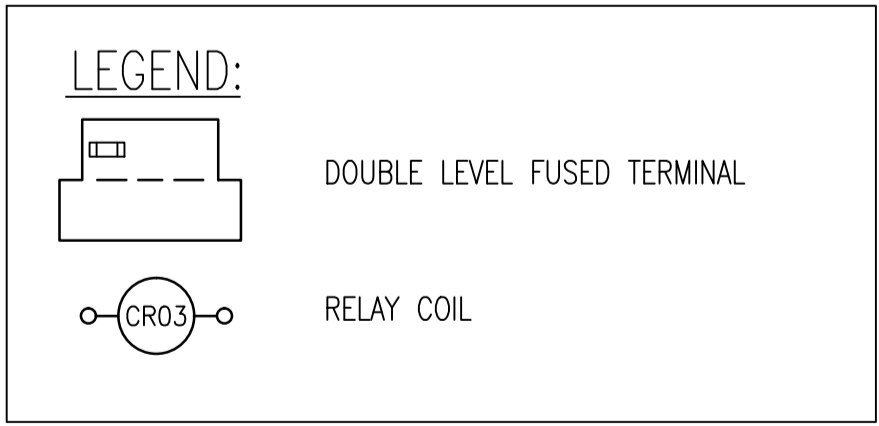
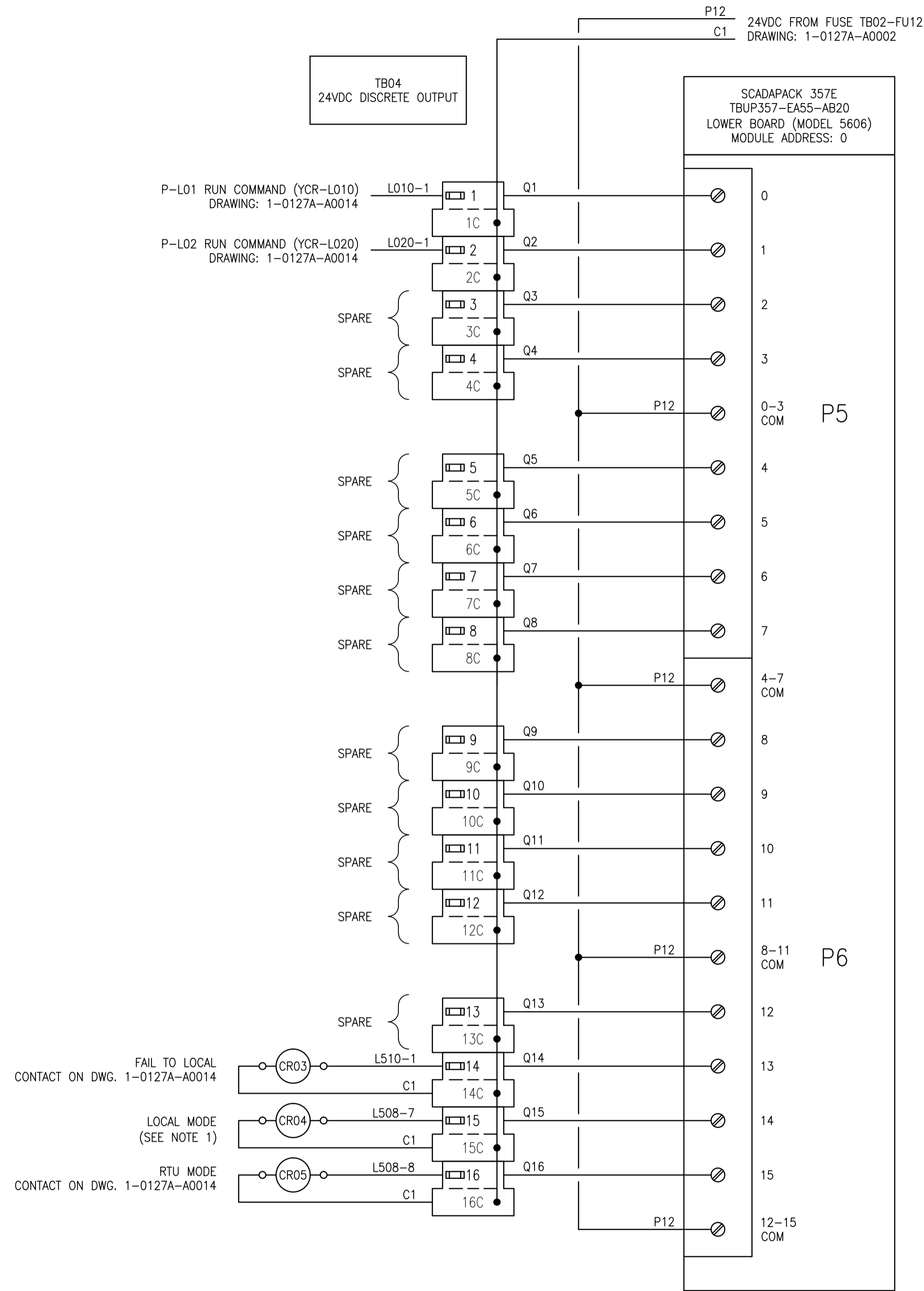


FUSE SCHEDULE			
TB	IDENTIFIER	SIZE	RATED CURRENT (A)
TB04	1	5x20mm	0.2
	2	5x20mm	0.2
	3	5x20mm	0.2
	4	5x20mm	0.2
	5	5x20mm	0.2
	6	5x20mm	0.2
	7	5x20mm	0.2
	8	5x20mm	0.2
	9	5x20mm	0.2
	10	5x20mm	0.2
	11	5x20mm	0.2
	12	5x20mm	0.2
	13	5x20mm	0.2
	14	5x20mm	0.2
	15	5x20mm	0.2
	16	5x20mm	0.2



**NOTES:**  
 1. CR04 CONTACTS HAVE NO CONNECTION. THIS RELAY IS FOR FUTURE.



SNC-LAVALIN INC. 148 Nature Park Way Winnipeg, MB, Canada R3P 0X7 204-786-8080		ENGINEER'S SEAL  ORIGINAL DRAWING SEALED BY: B. CLEVEN SNC-LAVALIN MEMBER #31479 2016/05/05 REV. 00	THE CITY OF WINNIPEG WATER AND WASTE DEPARTMENT  COCKBURN FLOOD AND WASTEWATER PUMPING STATION 2016 UPGRADES RTU I/O WIRING DIAGRAM CONTROL PANEL CP-AB1 DISCRETE OUTPUTS Q1-Q16
DESIGNED BY: B. CLEVEN DRAWN BY: Y. KONIG SCALE: NTS DATE: 2016/02/03	CHECKED BY: F. ATAEI APPROVED BY: I. PARKINSON ISSUED FOR CONSTRUCTION BY: K. ZUREK DATE: 2016/05/06	CONSULTANT NO.:	CITY DRAWING NUMBER 1-0127A-A0009
NO. REVISIONS	DATE	DESIGN CHECK	SHEET REV. SIZE 001 00 A1