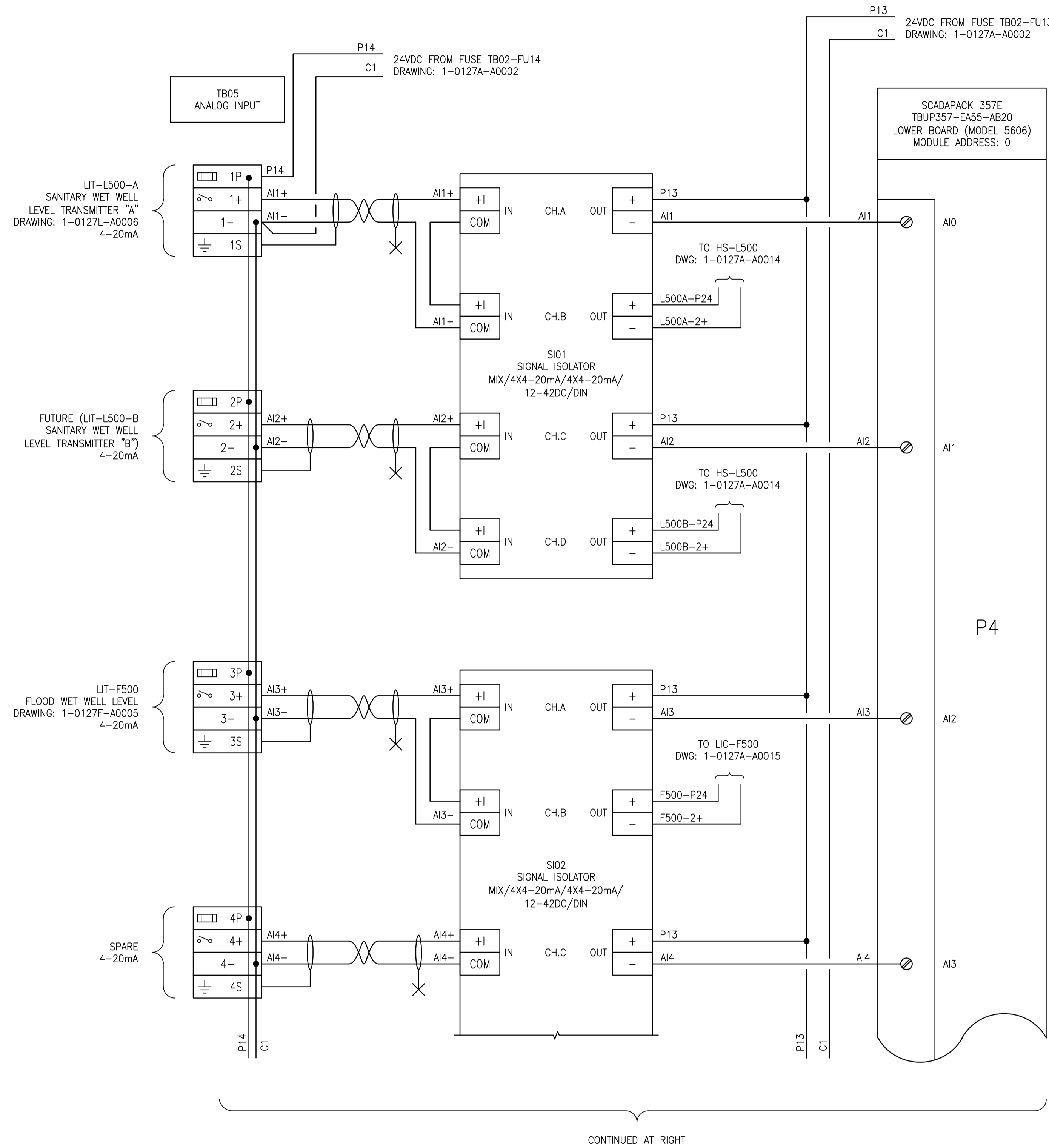
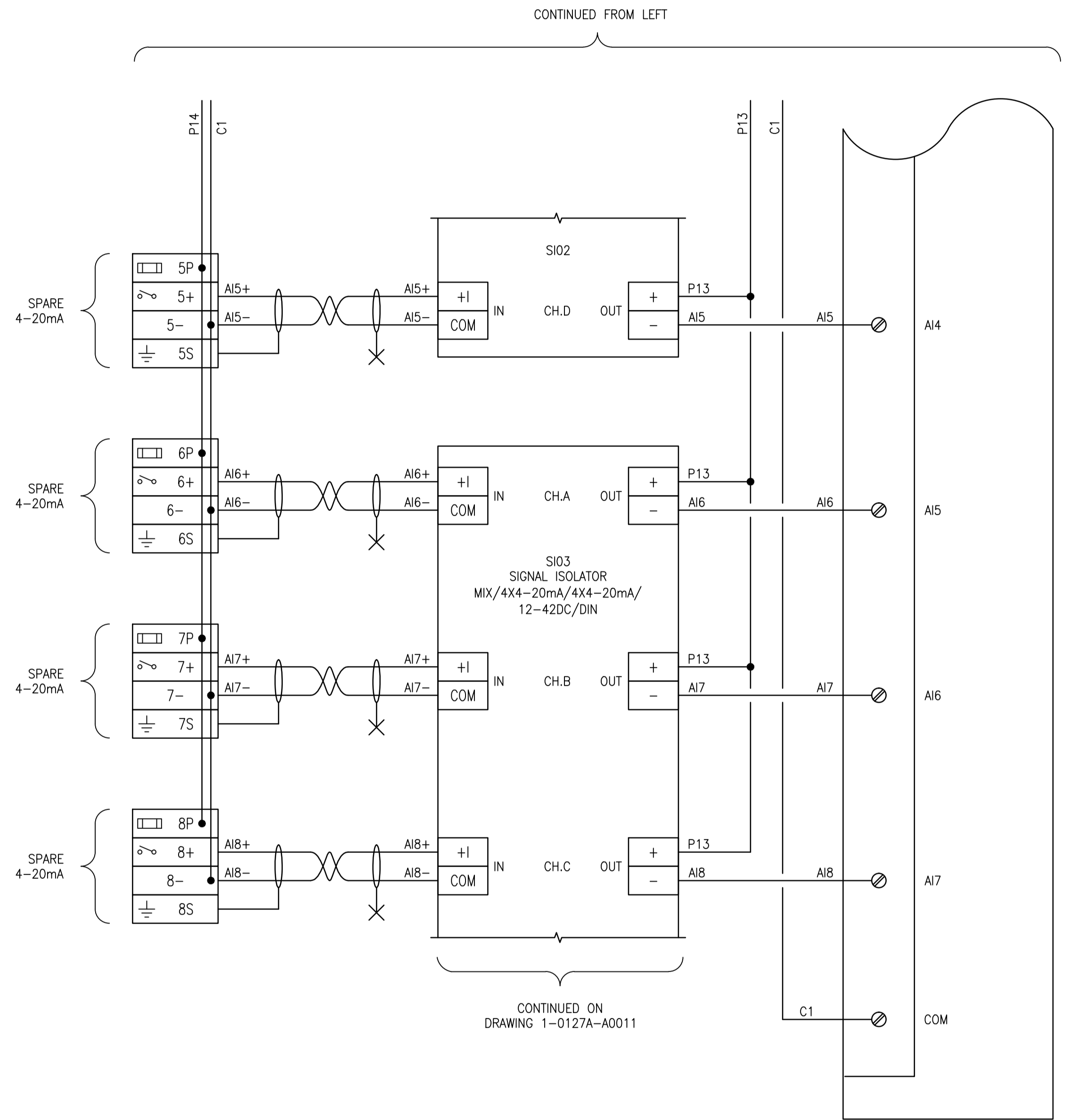


FUSE SCHEDULE			
TB	IDENTIFIER	SIZE	RATED CURRENT (A)
TB05	1P	5x20mm	0.2
	2P	5x20mm	0.2
	3P	5x20mm	0.2
	4P	5x20mm	0.2
	5P	5x20mm	0.2
	6P	5x20mm	0.2
	7P	5x20mm	0.2
	8P	5x20mm	0.2



CONTINUED AT RIGHT



CONTINUED ON DRAWING 1-0127A-A0011



NO.	REVISIONS	DATE	DESIGN	CHECK
00	ISSUED FOR TENDER, BID. OP. 331-2016	2016/05/05	BJC	FA

		SNC-LAVALIN INC. 148 Nature Park Way Winnipeg, MB, Canada R3P 0X7 204-786-8080
DESIGNED BY: B. CLEVEN	CHECKED BY: F. ATAËI	ENGINEER'S SEAL ORIGINAL DRAWING SEALED BY: B. CLEVEN SNC-LAVALIN MEMBER #31479 2016/05/06 REV. 00
DRAWN BY: Y. KONIG	APPROVED BY: I. PARKINSON	
SCALE: NTS	ISSUED FOR CONSTRUCTION BY: K. ZUREK	DATE: 2016/02/03
CONSULTANT NO.:		

THE CITY OF WINNIPEG WATER AND WASTE DEPARTMENT	
COCKBURN FLOOD AND WASTEWATER PUMPING STATION 2016 UPGRADES RTU I/O WIRING DIAGRAM CONTROL PANEL CP-AB1 ANALOG INPUTS AI1-AI8	
CITY DRAWING NUMBER 1-0127A-A0010	SHEET REV. SIZE 001 00 A1