

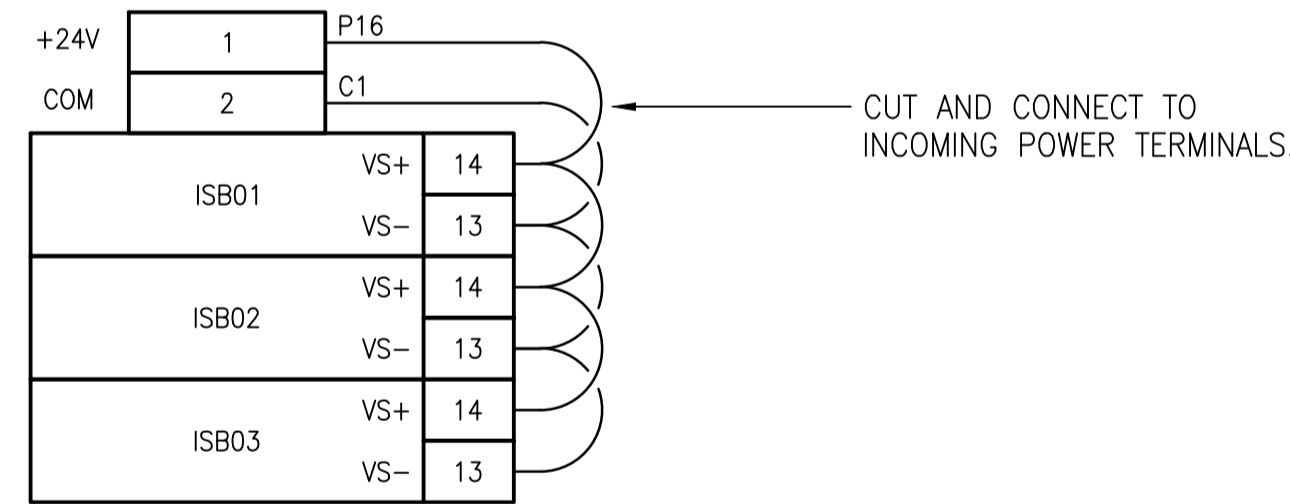
EXTERIOR PANEL VIEW

SCALE: 1 : 3

INTERIOR PANEL VIEW

SCALE: 1 : 3

BILL OF MATERIAL				
ITEM	QTY	DESCRIPTION	MANUFACTURER	CATALOG NUMBER
1	1	JUNCTION BOX, NEMA 12, CONTINUOUS-HINGE, 254x254x152mm	HOFFMAN	A10106CH
2	1	BACKPAN	HOFFMAN	A10P10
3	3	INTRINSICALLY SAFE ISOLATING BARRIER, DIGITAL INPUT, 2 CHANNEL	MTL	MTL5511
4	2	TERMINAL END CLAMP	PHOENIX CONTACT	1201442
5	AS REQ'D	35mm DIN RAIL	PHOENIX CONTACT	0801733
6	AS REQ'D	NARROW SLOT WIRING DUCT, 1.25" x 2.12", GREY	PANDUIT	F1X2L66
7	AS REQ'D	NARROW SLOT WIRING DUCT, 1.25" x 2.12", BLUE	PANDUIT	F1X2IB6
8	AS REQ'D	LAMACOID, 5mm HIGH BLACK TEXT ON WHITE BACKGROUND	-	-
9	1	GROUND BAR, 6 TAP	ILSCO	D167-6
10	1	POWER BUS KIT	MTL	PB-8T
11	2	FEED THROUGH TERMINALS	PHOENIX CONTACT	3046184



DETAIL: POWER BUS CONNECTION

SCALE: N.T.S.

NOTES:

- LABEL WIREWAY COVERS AND ENCLOSURE BACKPAN AS SHOWN.
- PROVIDE IDENTIFICATION OF ISOLATORS WITHIN JBA-A83 BY MEANS OF A COMPUTER GENERATED ADHESIVE LABEL.



<p>SNC-LAVALIN INC. 148 Nature Park Way Winnipeg, MB, Canada R3P 0X7 204-786-8080</p>		ENGINEER'S SEAL ORIGINAL DRAWING SEALED BY: B. CLEVEN SNC-LAVALIN MEMBER #31479 2016/05/05 REV. 00	<p>THE CITY OF WINNIPEG WATER AND WASTE DEPARTMENT</p> <p>COCKBURN FLOOD AND WASTEWATER PUMPING STATION 2016 UPGRADES JUNCTION BOX LAYOUT INTRINSICALLY SAFE JUNCTION BOX JBA-A83</p>
DESIGNED BY: B. CLEVEN CHECKED BY: F. ATAËI DRAWN BY: Y. KONIG APPROVED BY: I. PARKINSON SCALE: 1:3 DATE: 2016/02/03 ISSUED FOR CONSTRUCTION BY: K. ZUREK DATE: 2016/05/06 CONSULTANT NO.:	NO. 00 REVISIONS DATE DESIGN CHECK	CITY DRAWING NUMBER 1-0127A-A0022	SHEET REV. 00 SIZE A1

1-0127S-A0001	LOOP DIAGRAM, WEIR OVERFLOW, LSH-S500
1-0127L-A0001	LOOP DIAGRAM, SANITARY HI WET WELL, LSH-L500
1-0127F-A0002	LOOP DIAGRAM, FLOOD STATION HI WET WELL, LSH-F500
DRAWING NUMBER	REFERENCE DRAWINGS