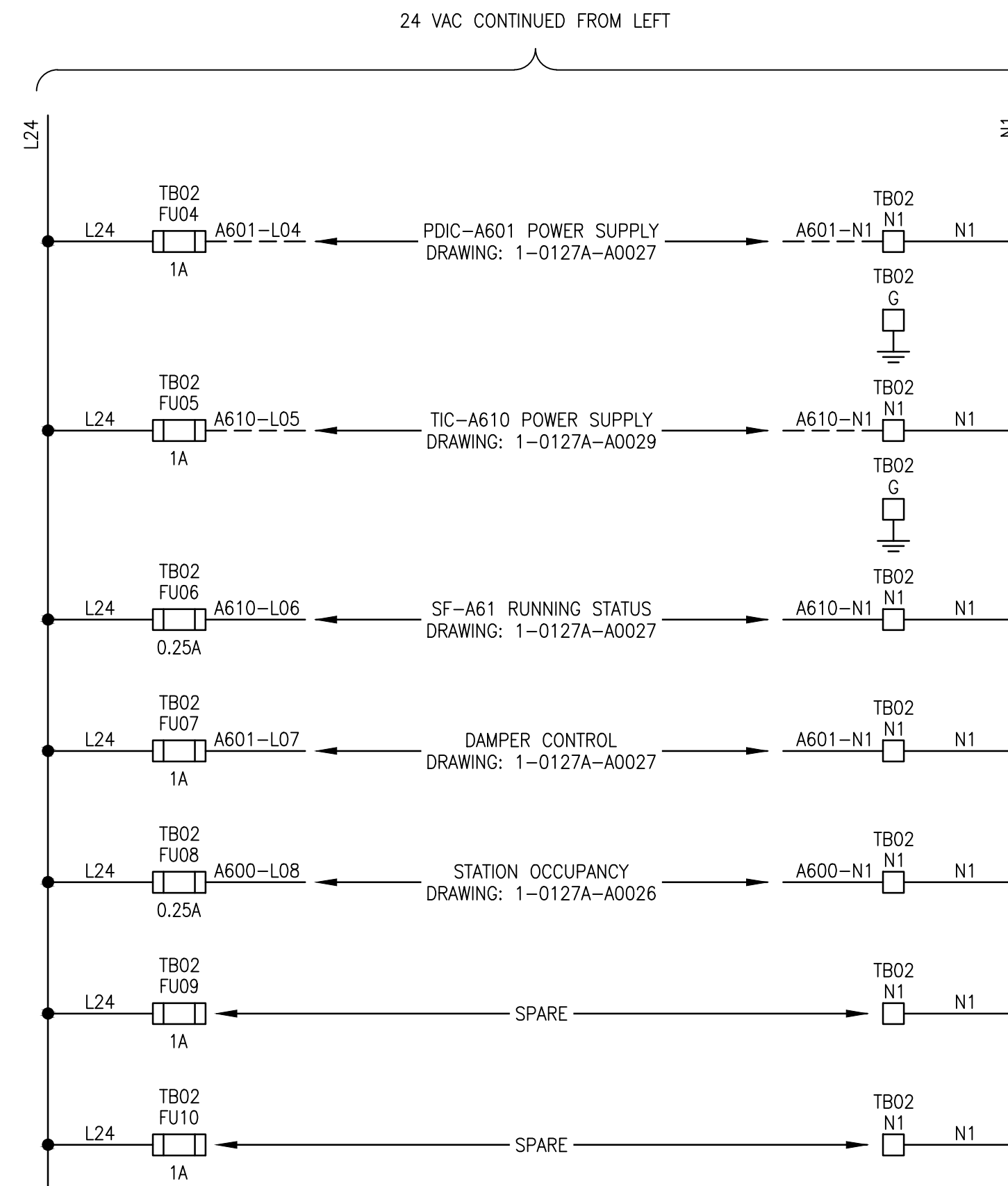
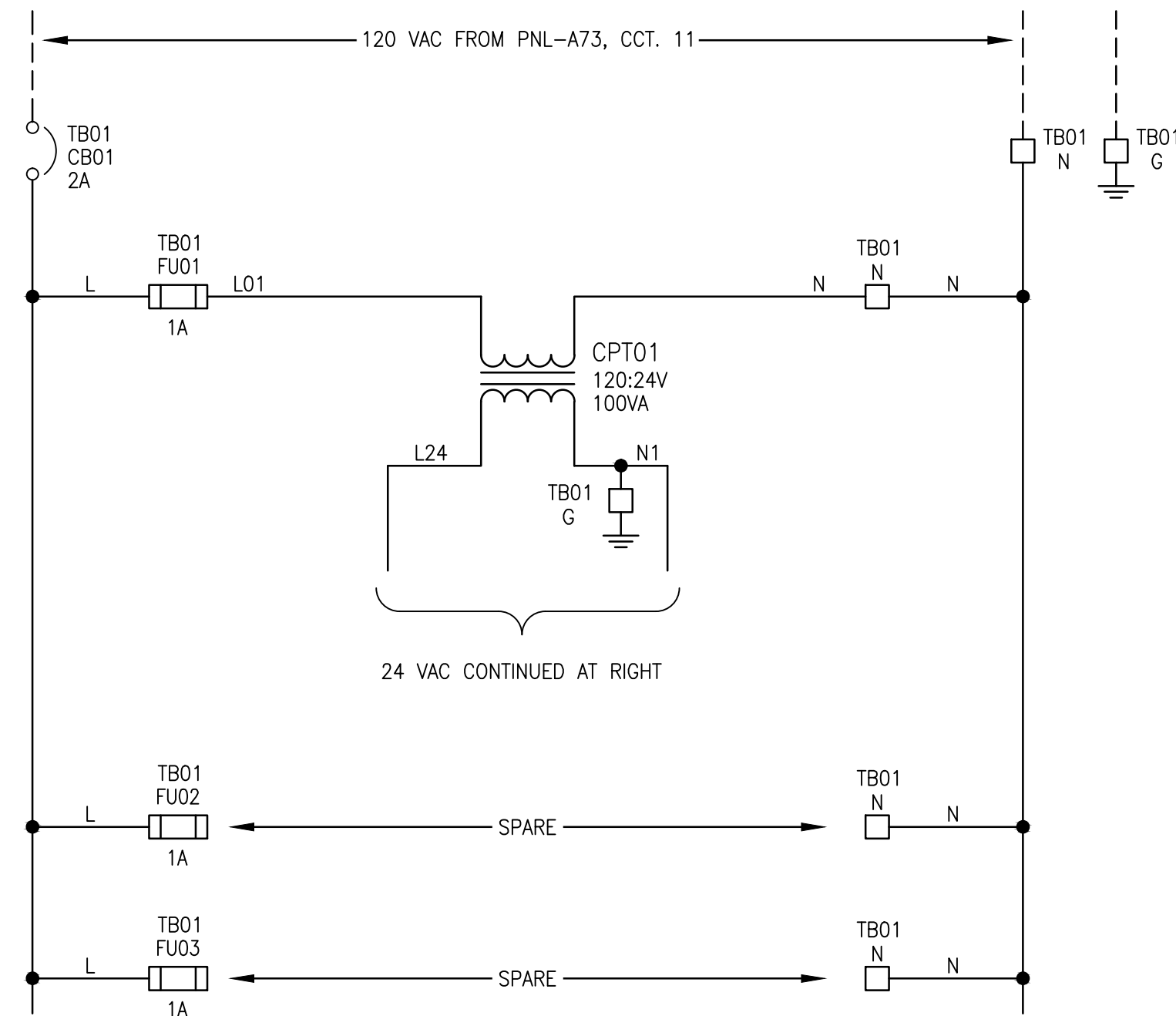


SCHEMATIC:



NOTES:

1. ALL 120VAC POWER WIRING TO BE A MINIMUM OF 14 AWG UNLESS OTHERWISE INDICATED.
2. ALL 24VAC POWER WIRING TO BE A MINIMUM OF 12 AWG UNLESS OTHERWISE INDICATED.
3. REFER TO REFERENCE DRAWINGS FOR PANEL INTERNAL WIRING.

1-0127A-A0029	HCE-A61 HEATER CONTROL LOOP DIAGRAM
1-0127A-A0028	DIFFERENTIAL PRESSURE TRANSMITTER PDT-A601 LOOP DIAGRAM
1-0127A-A0027	DAMPER CONTROL LOOP DIAGRAM
1-0127A-A0026	STATION OCCUPANCY SWITCH HS-L600 LOOP DIAGRAM
1-0127A-A0024	VENTILATION PANEL JBA-A84 LAYOUT

DRAWING NUMBER	REFERENCE DRAWINGS
----------------	--------------------



NO.	REVISIONS	DATE	DESIGN	CHECK
00	ISSUED FOR TENDER, BID OP. 331-2016	2016/05/05	BJC	FA

 SNC-LAVALIN INC. 148 Nature Park Way Winnipeg, MB, Canada R3P 0X7 204-786-8080	
DESIGNED BY: B. CLEVEN	CHECKED BY: F. ATAEI
DRAWN BY: Y. KONIG	APPROVED BY: I. PARKINSON
SCALE: NTS	ISSUED FOR CONSTRUCTION BY: K. ZUREK DATE: 2016/05/06
DATE: 2016/02/03	DATE: 2016/05/06
CONSULTANT NO.:	

ENGINEER'S SEAL
ORIGINAL DRAWING SEALED BY: B. CLEVEN SNC-LAVALIN MEMBER #31479 2016/05/05 REV. 00

 THE CITY OF WINNIPEG WATER AND WASTE DEPARTMENT			
COCKBURN FLOOD AND WASTEWATER PUMPING STATION 2016 UPGRADES POWER DISTRIBUTION VENTILATION PANEL JBA-A84			
CITY DRAWING NUMBER	SHEET	REV.	SIZE
1-0127A-A0025	001	00	A1