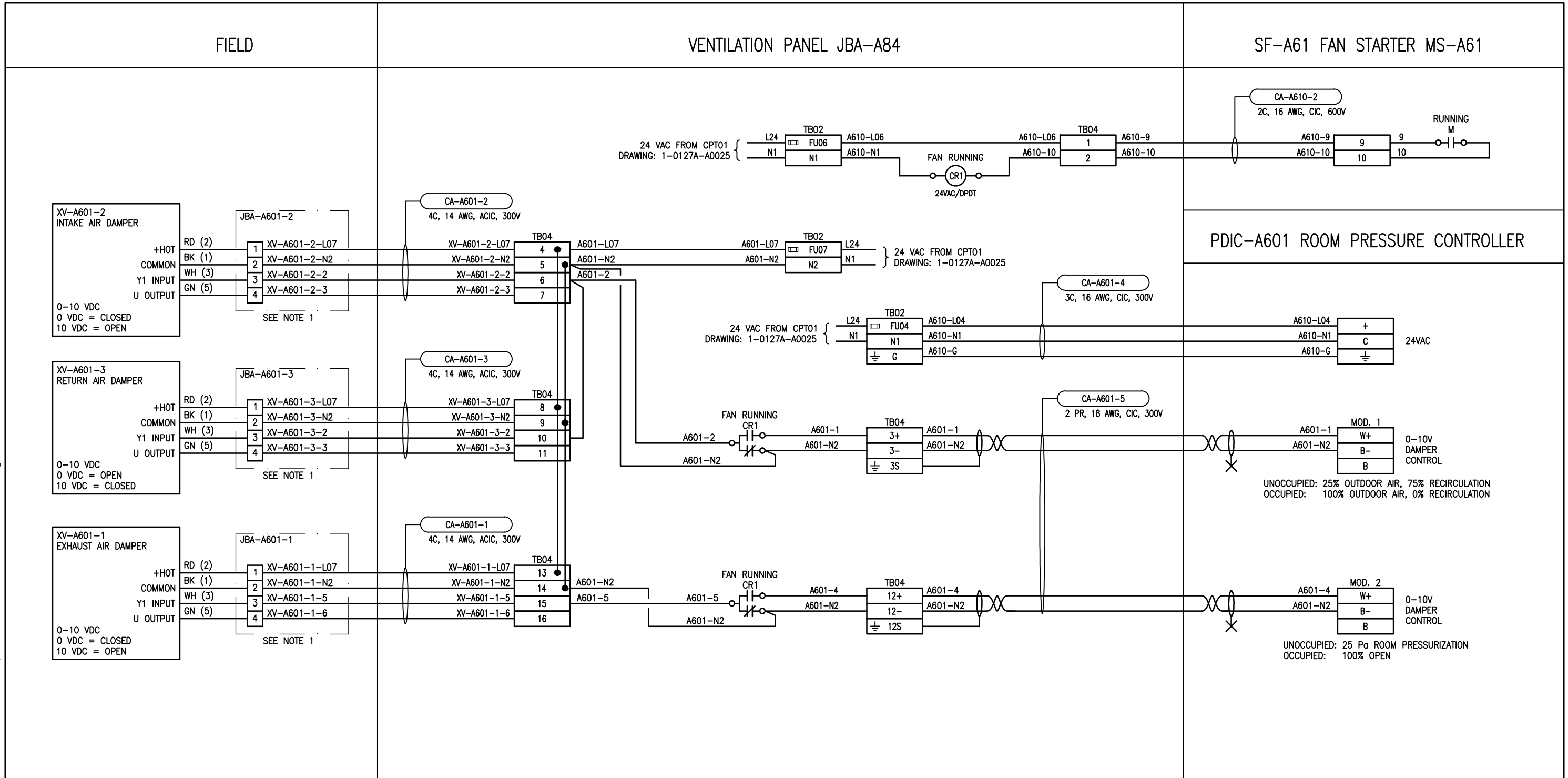


B SIZE - 279mm x 432mm

LAST SAVE: 2016/05/09 - 8:41am
 PATH: M:\632354\4ENG\48&C\DD - General DWG\1-0127A-A0027-001-00.dwg



NOTES:
 1. PROVIDE AND INSTALL NEW NEMA TYPE 4 JUNCTION BOX, COMPLETE WITH TERMINALS AND IDENTIFICATION LAMACOID.



SNC-LAVALIN INC.
 148 Nature Park Way
 Winnipeg, MB, Canada R3P 0X7
 204-786-8080

ENGINEER'S SEAL

ORIGINAL DRAWING
 SEALED BY:
 B. CLEVEN
 SNC-LAVALIN
 MEMBER # 31479
 2016/05/05
 REV. 00



THE CITY OF WINNIPEG
 WATER AND WASTE DEPARTMENT

COCKBURN FLOOD AND WASTEWATER PUMPING STATION
 2016 UPGRADES
 LOOP DIAGRAM
 HVAC DAMPER CONTROL
 XV-A601-1, XV-A601-2, XV-A601-3

NO.	REVISIONS	DATE	DESIGN	CHECK
00	ISSUED FOR TENDER, BID OP. 331-2016	2016/05/05	BJC	FA

DESIGNED BY: B. CLEVEN	CHECKED BY: F. ATAEI
DRAWN BY: Y. KONIG	APPROVED BY: I. PARKINSON
SCALE: NTS	DATE: 2016/04/07
ISSUED FOR CONSTRUCTION BY: K. ZUREK	DATE: 2016/05/06
CONSULTANT NO.:	

CITY DRAWING NUMBER 1-0127A-A0027	SHEET 001	REV. 00	SIZE B
--------------------------------------	--------------	------------	-----------