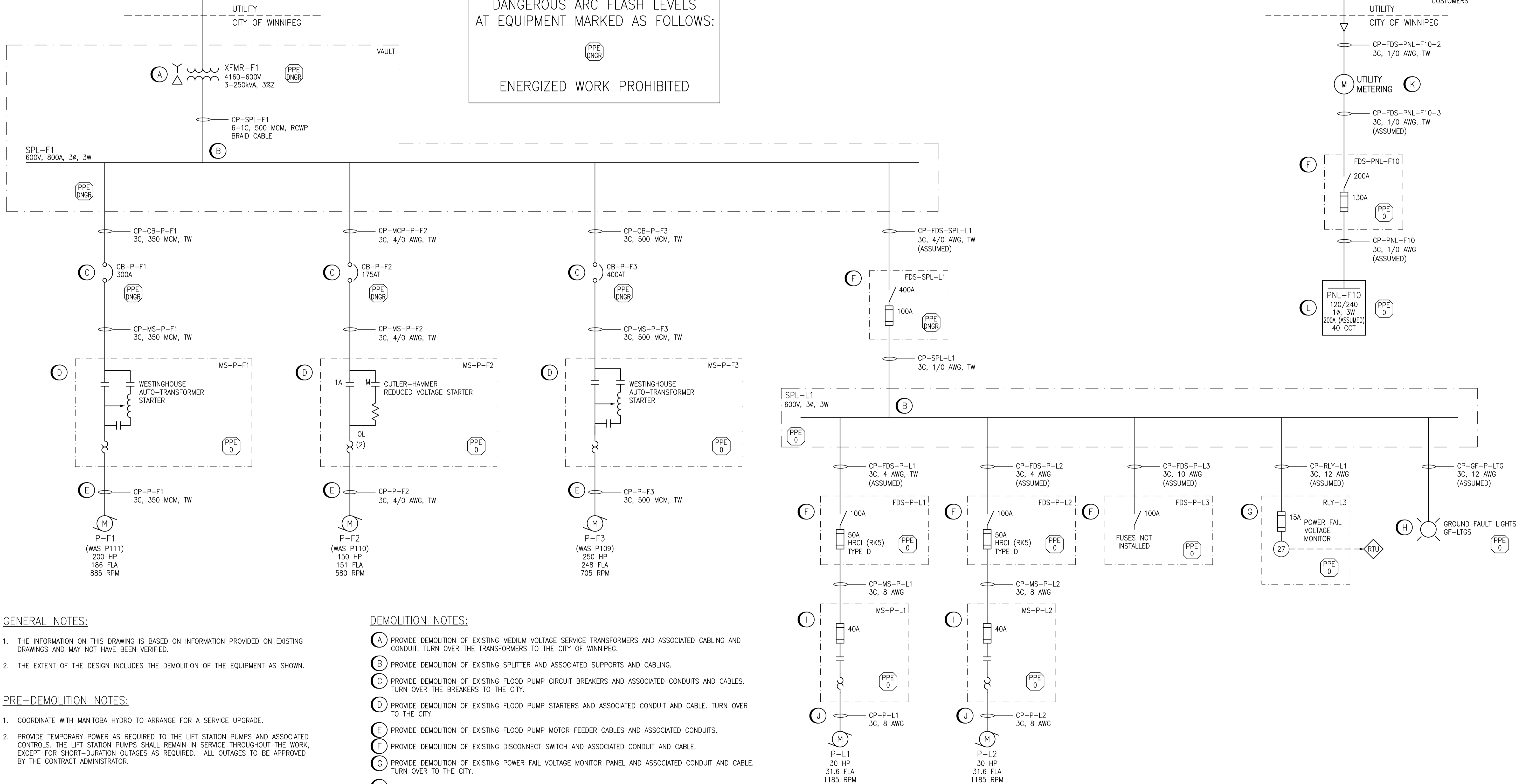


**WARNING**  
DANGEROUS ARC FLASH LEVELS  
AT EQUIPMENT MARKED AS FOLLOWS:  
  
ENERGIZED WORK PROHIBITED

**LEGEND:**



**GENERAL NOTES:**

1. THE INFORMATION ON THIS DRAWING IS BASED ON INFORMATION PROVIDED ON EXISTING DRAWINGS AND MAY NOT HAVE BEEN VERIFIED.
2. THE EXTENT OF THE DESIGN INCLUDES THE DEMOLITION OF THE EQUIPMENT AS SHOWN.

**PRE-DEMOLITION NOTES:**

1. COORDINATE WITH MANITOBA HYDRO TO ARRANGE FOR A SERVICE UPGRADE.
2. PROVIDE TEMPORARY POWER AS REQUIRED TO THE LIFT STATION PUMPS AND ASSOCIATED CONTROLS. THE LIFT STATION PUMPS SHALL REMAIN IN SERVICE THROUGHOUT THE WORK, EXCEPT FOR SHORT-DURATION OUTAGES AS REQUIRED. ALL OUTAGES TO BE APPROVED BY THE CONTRACT ADMINISTRATOR.

**DEMOLITION NOTES:**

- (A) PROVIDE DEMOLITION OF EXISTING MEDIUM VOLTAGE SERVICE TRANSFORMERS AND ASSOCIATED CABLING AND CONDUIT. TURN OVER THE TRANSFORMERS TO THE CITY OF WINNIPEG.
- (B) PROVIDE DEMOLITION OF EXISTING SPLITTER AND ASSOCIATED SUPPORTS AND CABLING.
- (C) PROVIDE DEMOLITION OF EXISTING FLOOD PUMP CIRCUIT BREAKERS AND ASSOCIATED CONDUITS AND CABLES. TURN OVER THE BREAKERS TO THE CITY.
- (D) PROVIDE DEMOLITION OF EXISTING FLOOD PUMP STARTERS AND ASSOCIATED CONDUIT AND CABLE. TURN OVER TO THE CITY.
- (E) PROVIDE DEMOLITION OF EXISTING FLOOD PUMP MOTOR FEEDER CABLES AND ASSOCIATED CONDUITS.
- (F) PROVIDE DEMOLITION OF EXISTING DISCONNECT SWITCH AND ASSOCIATED CONDUIT AND CABLE.
- (G) PROVIDE DEMOLITION OF EXISTING POWER FAIL VOLTAGE MONITOR PANEL AND ASSOCIATED CONDUIT AND CABLE. TURN OVER TO THE CITY.
- (H) PROVIDE DEMOLITION OF EXISTING GROUND FAULT INDICATION PANEL AND ASSOCIATED CONDUIT AND CABLE. TURN OVER TO THE CITY.
- (I) PROVIDE DEMOLITION OF EXISTING LIFT PUMP MOTOR STARTERS AND ASSOCIATED CONDUIT AND CABLE. TURN OVER TO THE CITY.
- (J) PROVIDE DEMOLITION OF EXISTING LIFT PUMP MOTOR FEEDER CABLES.
- (K) COORDINATE WITH MANITOBA HYDRO TO DISCONNECT AND REMOVE THE EXISTING 120/240V SERVICE. PROVIDE DEMOLITION OF EXISTING METER SOCKET, CONDUITS, AND CABLES. ALLOW MANITOBA HYDRO TO OBTAIN METER OR TURN OVER THE METER TO THE CITY OF WINNIPEG.
- (L) PROVIDE DEMOLITION OF EXISTING 120V/240V PANELBOARD AND ALL ASSOCIATED CONDUIT, CABLE, LIGHTS, SWITCHES, AND RECEPTACLES.

NO.	REVISIONS	DATE	DESIGN	CHECK
00	ISSUED FOR TENDER, BID OP. 331-2016	2016/05/06	BJC	DB

<b>SNC-LAVALIN</b>		SNC-LAVALIN INC. 148 Nature Park Way Winnipeg, MB, Canada R3P 0X7 204-786-8080	
DESIGNED BY: B. CLEVEN	CHECKED BY: D. BECKER	DRAWN BY: M.J. PERSSON	APPROVED BY: I. PARKINSON
SCALE: NTS	ISSUED FOR CONSTRUCTION BY: K. ZUREK	DATE: 2015/12/05	DATE: 2016/05/06
CONSULTANT NO.:			

ENGINEER'S SEAL  
ORIGINAL DRAWING  
SEALED BY:  
B. CLEVEN  
SNC-LAVALIN  
MEMBER #31479  
2016/05/06  
REV. 00

**THE CITY OF WINNIPEG**  
WATER AND WASTE DEPARTMENT

COCKBURN FLOOD AND WASTEWATER PUMPING STATION  
2016 UPGRADES  
ELECTRICAL SINGLE LINE DIAGRAM  
DEMOLITION

CITY DRAWING NUMBER <b>1-0127A-E0001</b>	SHEET <b>001</b>	REV. <b>00</b>	SIZE <b>A1</b>
---	---------------------	-------------------	-------------------