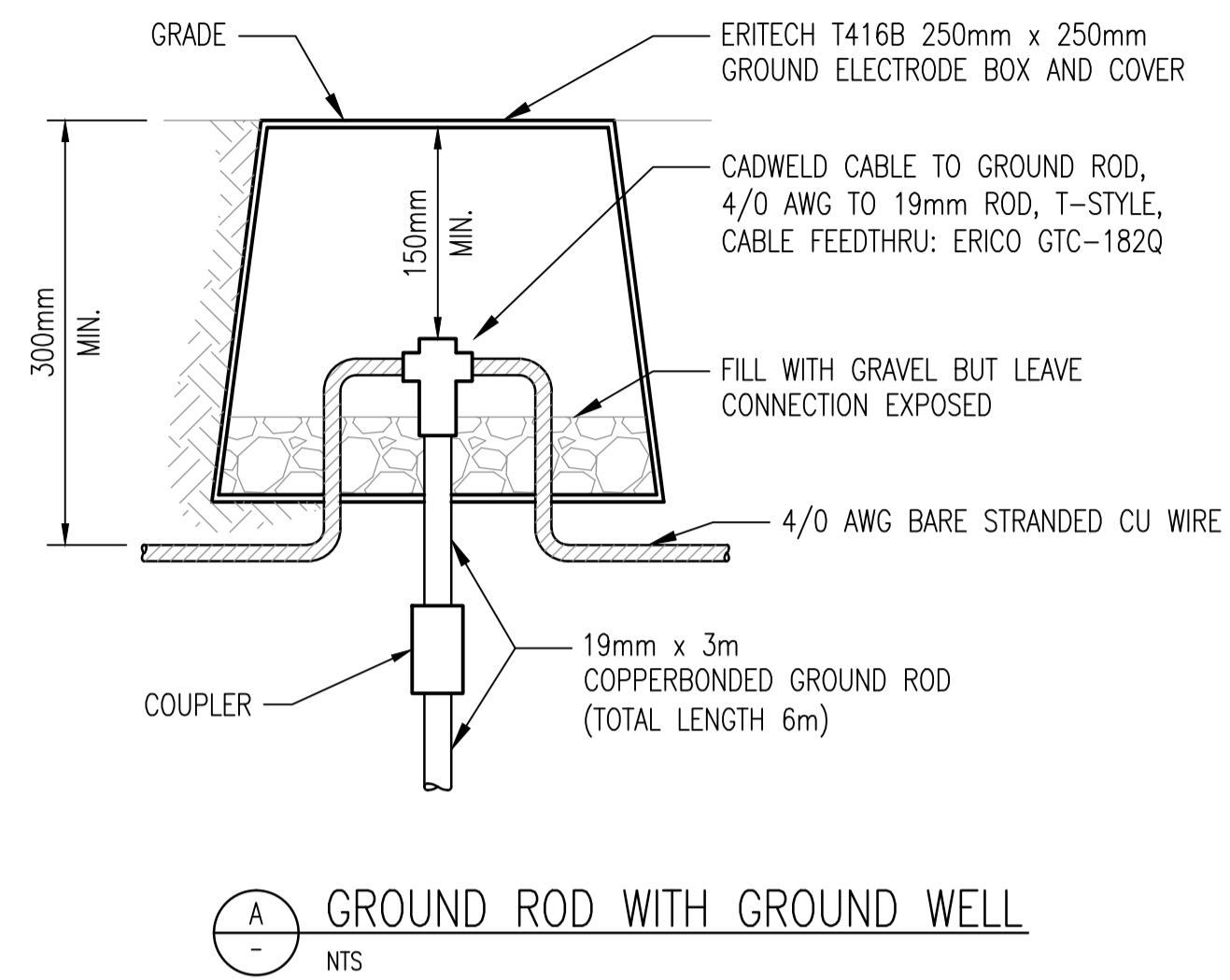
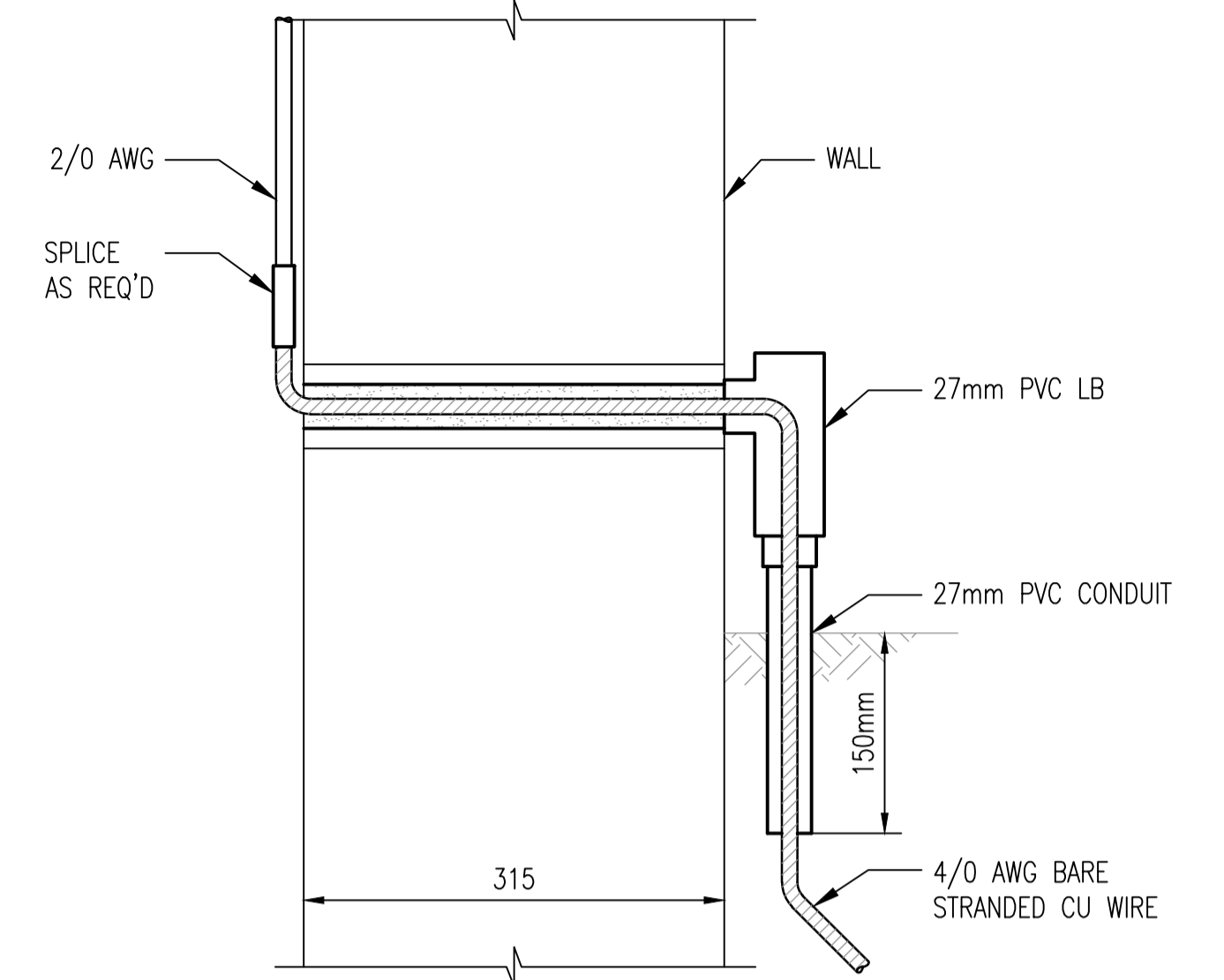


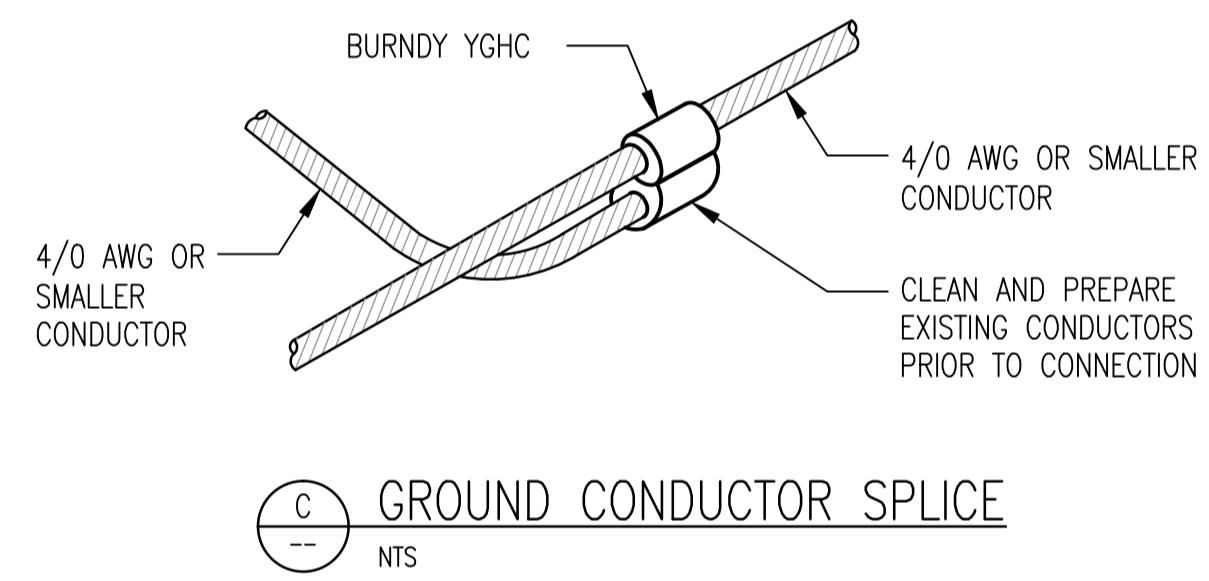
LOW VOLTAGE EQUIPMENT GROUNDING
SCALE: NTS



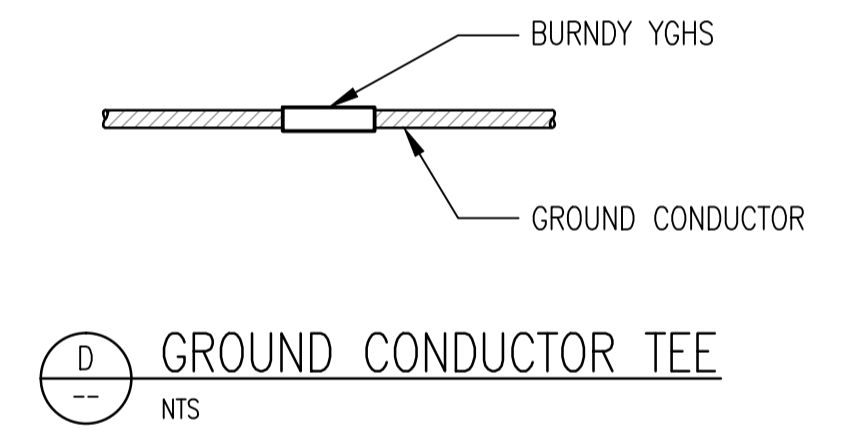
A GROUND ROD WITH GROUND WELL
NTS



B BUILDING ENTRY ABOVE GRADE
NTS



C GROUND CONDUCTOR SPLICE
NTS



D GROUND CONDUCTOR TEE
NTS

1-0127A-E0003	ELECTRICAL SITE PLAN
DRAWING NUMBER	REFERENCE DRAWINGS

APECM
Certificate of Authorization
SNC-Lavalin Inc.
No. 4489

NO.	REVISIONS	DATE	DESIGN	CHECK
00	ISSUED FOR TENDER, BID OP. 331-2016	2016/05/06	BJC	DB

SNC-LAVALIN INC.
148 Nature Park Way
Winnipeg, MB, Canada R3P 0X7
204-796-8080

DESIGNED BY: B. CLEVEN
CHECKED BY: D. BECKER
DRAWN BY: Y. KONIG
APPROVED BY: I. PARKINSON
SCALE: AS SHOWN
ISSUED FOR CONSTRUCTION BY: K. ZUREK
DATE: 2016/02/02
DATE: 2016/05/06

ENGINEER'S SEAL
ORIGINAL DRAWING
SEALED BY:
B. CLEVEN
SNC-LAVALIN
MEMBER #31479
2016/05/06
REV. 00

THE CITY OF WINNIPEG
WATER AND WASTE DEPARTMENT

COCKBURN FLOOD AND WASTEWATER PUMPING STATION
2016 UPGRADES
GROUNDING INSTALLATION DETAILS

CITY DRAWING NUMBER	SHEET	REV.	SIZE
1-0127A-E0010	001	00	A1